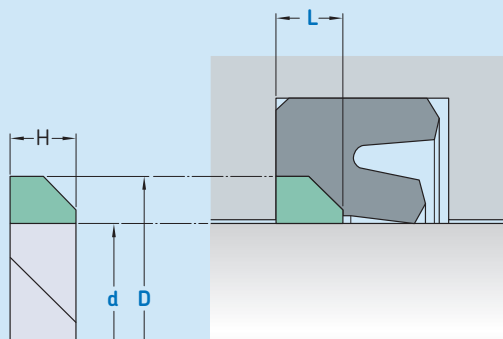


ST11



Ordering dimensions in **blue**

Sealing material Surface roughness	TPU / Elastomers		PTFE	
	R_{tmax}	R_a	R_{tmax}	R_a
	μm		μm	
Sliding surface	$\leq 2,5$	0,1–0,5	≤ 2	0,05–0,3
Bottom of groove	$\leq 6,3$	$\leq 1,6$	$\leq 6,3$	$\leq 1,6$
Groove face	≤ 15	≤ 3	≤ 15	≤ 3

Bearing area: 50–95% and a cutting depth of 0,5 R_z based on $C_{ref} = 0\%$

Standard dimensions

Minimum nominal inside diameter
 $d \geq 4,5 \text{ mm}$.

Profile size, surface data and tolerances are the result of a combination of the relevant application specific sealing material. Standard version: cutting gap 0. cut 45° .

Ordering example

Profile
 $d \times D \times L$ [mm]
Backup ring

Backup ring ST11
100 x 120 x 13
SKF Ecotal



Operating parameters

Material Backup ring	Temperature	
	from	to
–	°C	
■ SKF Ecotal	–50	+100
■ SKF Ecoflon 2	–200	+260
■ SKF Ecomid	–40	+100
■ SKF Ecopaek	–100	+260

IMPORTANT NOTE: The stated operating conditions represent general indications. It is recommended not to use all maximum values simultaneously.

® SKF is a registered trademark of the SKF Group

© SKF Group 2012

The contents of this publication are the copyright of the publisher and may not be reproduced (even extracts) unless prior written permission is granted. Every care has been taken to ensure the accuracy of the information contained in this publication but no liability can be accepted for any loss or damage whether direct, indirect or consequential arising out of the use of the information contained herein.

PUB SE/P8 11945 EN · March 2012

