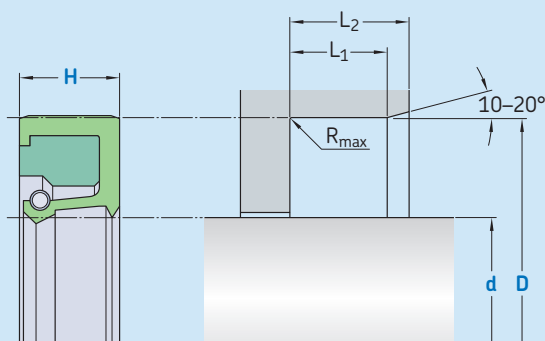


# R02-R



Ordering dimensions in **blue**

Surface roughness	$R_{tmax}$	$R_a$
<b>Sliding surface</b>	$\leq 2,5 \mu m$	$0,1-0,5 \mu m$
<b>Bottom of groove</b>	$\leq 6,3 \mu m$	$\leq 1,6 \mu m$
<b>Groove face</b>	$\leq 15 \mu m$	$\leq 3 \mu m$

Hardness: Min 45 HRC (55 HRC recommended), hardened depth > 0,3 mm.  
Bearing area: 50-95% and a cutting depth of 0,5  $R_z$  based on  $C_{ref} = 0\%$

## Standard dimensions

d	D	H	$L_1$	$L_2$	$R_{max}$	
h11	H8					
over	incl.					
mm						
<b>5</b>	<b>60</b>	$d + 12$	7,0	5,95	7,3	0,4
<b>60</b>	<b>140</b>	$d + 15$	8,0	6,8	8,3	0,4
<b>140</b>	<b>300</b>	$d + 20$	10,0	8,5	10,3	0,4
<b>300</b>	<b>500</b>	$d + 30$	12,0	10,3	12,3	0,8
<b>500</b>	<b>800</b>	$d + 40$	20,0	17	20,3	0,8
<b>800</b>		$d + 50$	22,0	18,7	22,3	0,8

## Ordering example

Profile  
d x D x H [mm]  
Sealing material / Clamping ring / Spring

Rotary seal R02-R  
100 x 115 x 8  
SKF Ecorubber-1 / SKF Ecotal / 1.4310



## Operating parameters

Material Seal	Clamping ring	Spring	Temperature		Speed <sup>1) 2)</sup>	Pressure
			from	to	max	max
			°C		m/s	bar (MPa)
■ SKF Ecorubber-1			-30		10	
■ SKF Ecorubber-2			-20		15	0,5 (0,05)
■ SKF Ecorubber-3	■ SKF Ecotal		-50	+80	10	
■ SKF Ecorubber-H	■ SKF Ecomid <sup>3)</sup>		-25			
■ SKF Ecosil		1.4310	-60		5	-
■ SKF Ecorubber-1			-30	+100	10	
■ SKF Ecorubber-2			-20	+200	15	0,5 (0,05)
■ SKF Ecorubber-3	■ SKF Ecopaek		-50	+150	10	
■ SKF Ecorubber-H			-25			
■ SKF Ecosil			-60	+200	-	-

IMPORTANT NOTE: The stated operating conditions represent general indications. It is recommended not to use all maximum values simultaneously.

<sup>1)</sup> Surface speed limit values are valid only in the presence of a lubrication film.

<sup>2)</sup> Depending on shaft diameter

<sup>3)</sup> D ≤ 260 mm → SKF Ecotal, D > 260 mm → SKF Ecomid.

