

Dear Customers,

We are proud to launch our new technical catalogue and we are convinced that it will soon be an essential tool to create your hydraulic projects.

After a brief company profile that will be helpful to verify the results that **AS Aston Seals S.p.A.** has obtained in the latest years, results that have been achieved only through your cooperation, the catalogue contains a section regarding general technical info and six chapters that include detailed info on our always more complete production range.

We believe that the last among those chapters, about seals created with a turning machine and not with a normal moulding machine, can be very interesting as it gives practically unlimited solutions, under both possible materials and shape of the profiles viewpoint.

The service that has characterized our company since from the beginning, has driven us to invest always in new machinery for the production of seals and these new turning machines will allow our technical personnel to study new solutions in order to supply you prototypes without tooling charges; the tools will be constructed only after the test of the prototype.

We are therefore sure that the service we have supplied up to now and that we strongly want to supply in the future is the key and the reason of our company's growth.

All of our products are made in Italy without the exploitation of child labour to increase competitiveness as done in the third world.

Unlike our competitors, we want to deal with both big and small companies, without making differences related to their economical power supplying the same efficient and effective service.

This is the way we like to work.....

*Thank for choosing **AS Aston Seals S.p.A.***

The management

OUR NUMBERS:

- **2000**: year of foundation
- **6000 m²**: our building in Carpi
- **over 5000**: hydraulic and pneumatic moulds
- **60**: our employees
- **10**: injection moulding machines working on 3 shift per day all equipped with extraction robots
- **60%**: domestic turnover made with end users
- **5**: continents (44 countries) where we are present with distributors

TECHNICAL INFORMATION

WIPERS

ROD SEALS

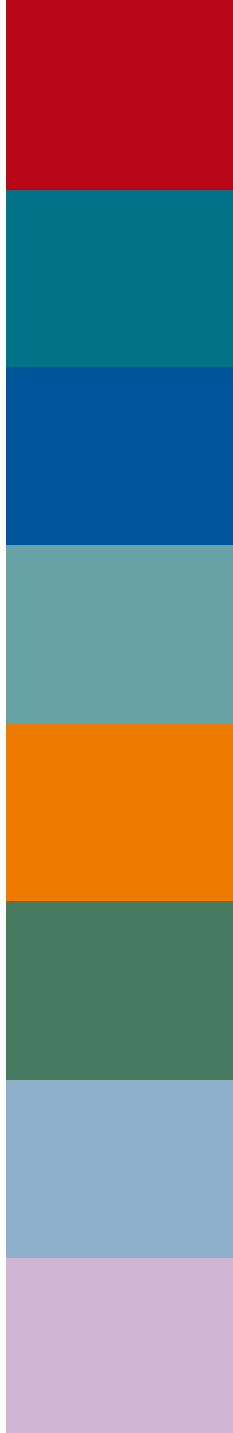
PISTON SEALS

ROD AND PISTON SEALS









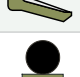





GUIDE RINGS















OTHER

LATHE-CUT PRODUCTS













WIPERS						
Type		P (bar)	V (m/s)	T (°C)	Mat.	Pag.
SA		-	0.8	-40 ÷ +100	TPU	30
SAF		-	0.8	-40 ÷ +100	TPU	32
SAP		-	4.0	-40 ÷ +140	TPE	34
SAG		-	0.8	-40 ÷ +100	TPU	35
SAB		15	0.8	-40 ÷ +100	TPU	37
SAD		-	0.8	-40 ÷ +100	TPU	39
SAF/GM		-	0.8	-40 ÷ +100	TPU + Metal	40
SMI		-	2.0	-30 ÷ +100	NBR + Metal	42
SMA		-	2.0	-30 ÷ +100	NBR + Metal	44
SAA		-	0.8	-40 ÷ +100	TPU	46
S1A		-	15	-30 ÷ +130 (-30 ÷ +200)	PTFE + NBR (PTFE + FKM)	47
S2A		-	15	-30 ÷ +130 (-30 ÷ +200)	PTFE + NBR (PTFE + FKM)	49









ROD SEALS						
Type		P (bar)	V (m/s)	T (°C)	Mat.	Pag.
SD		400	0.5	-40 ÷ +100	TPU	51
SDA		500	0.5	-40 ÷ +100	TPU + POM	55
SDAN		500	0.5	-40 ÷ +100	TPU + NBR + POM	57
S		400	0.5	-40 ÷ +100	TPU	58
A		400	0.5	-40 ÷ +100	TPU	59
AD		400	0.5	-40 ÷ +100	TPU	62
ADA		500	0.5	-40 ÷ +100	TPU + POM	64
SGA		700	0.5	-40 ÷ +110	NBR + POM + TPE	65
AV		300	15	-200 ÷ +200	PTFE + INOX	66
XB		600	15	-30 ÷ +130 (-30 ÷ +200)	PTFE + NBR (PTFE + FKM)	69
XAB		600	15	-30 ÷ +130 (-30 ÷ +200)	PTFE + NBR (PTFE + FKM)	72
XRB		400	1	-30 ÷ +130 (-30 ÷ +200)	PTFE + NBR (PTFE + FKM)	75
XL		160	2	-30 ÷ +130 (-30 ÷ +200)	PTFE + NBR (PTFE + FKM)	78
XC		210	4	-30 ÷ +130 (-30 ÷ +200)	PTFE + NBR (PTFE + FKM)	80

PISTON SEALS						
Type		P (bar)	V (m/s)	T (°C)	Mat.	Pag.
KD		400	0.5	-40 ÷ +100	TPU	82
KDA		500	0.5	-40 ÷ +100	TPU + POM	84
KDF		400	0.5	-40 ÷ +100	TPU + POM	86
SP		-	-	-40 ÷ +110	POM	87
KPD		400	0.5	-30 ÷ +100	TPU + NBR	88
KPR		400	0.5	-30 ÷ +100	TPU + NBR	90
KGD		400	0.5	-40 ÷ +110	NBR + POM + TPE	91
KV		300	15	-200 ÷ +200	PTFE + INOX	97
YB		600	15	-30 ÷ +130 (-30 ÷ +200)	PTFE + NBR (PTFE + FKM)	100
YAB		600	15	-30 ÷ +130 (-30 ÷ +200)	PTFE + NBR (PTFE + FKM)	103
KHD		500	1.5	-20 ÷ +120	PTFE + NBR + PA	106
YL		160	2	-30 ÷ +130 (-30 ÷ +200)	PTFE + NBR (PTFE + FKM)	108
YP		210	4	-30 ÷ +130 (-30 ÷ +200)	PTFE + NBR (PTFE + FKM)	110
YRB		400	1	-30 ÷ +130 (-30 ÷ +200)	PTFE + NBR (PTFE + FKM)	112

ROD AND PISTON SEALS

<i>Type</i>		P (bar)	V (m/s)	T (°C)	Mat.	Pag.
UP		400	0.5	-40 ÷ +100	TPU	114
UPN		400	0.5	-40 ÷ +100	TPU + NBR	120
OP		500	*	-30 ÷ +80	TPU	125

GUIDE RINGS						
Type		P (bar)	V (m/s)	T (°C)	Mat.	Pag.
FI		-	1	-40 ÷ +110	POM	129
FIL		-	1	-40 ÷ +110	POM	132
FIT		-	1	-40 ÷ +110	POM	133
FE		-	1	-40 ÷ +110	POM	135
FR		-	1	-40 ÷ +110	POM	138
GRF		-	1	-40 ÷ +130	Phenolic	140
GRB		-	5	-50 ÷ +200	PTFE	142
MRB		-	5	-50 ÷ +200	PTFE	145
FSP		-	0.8	-40 ÷ +110	POM	147

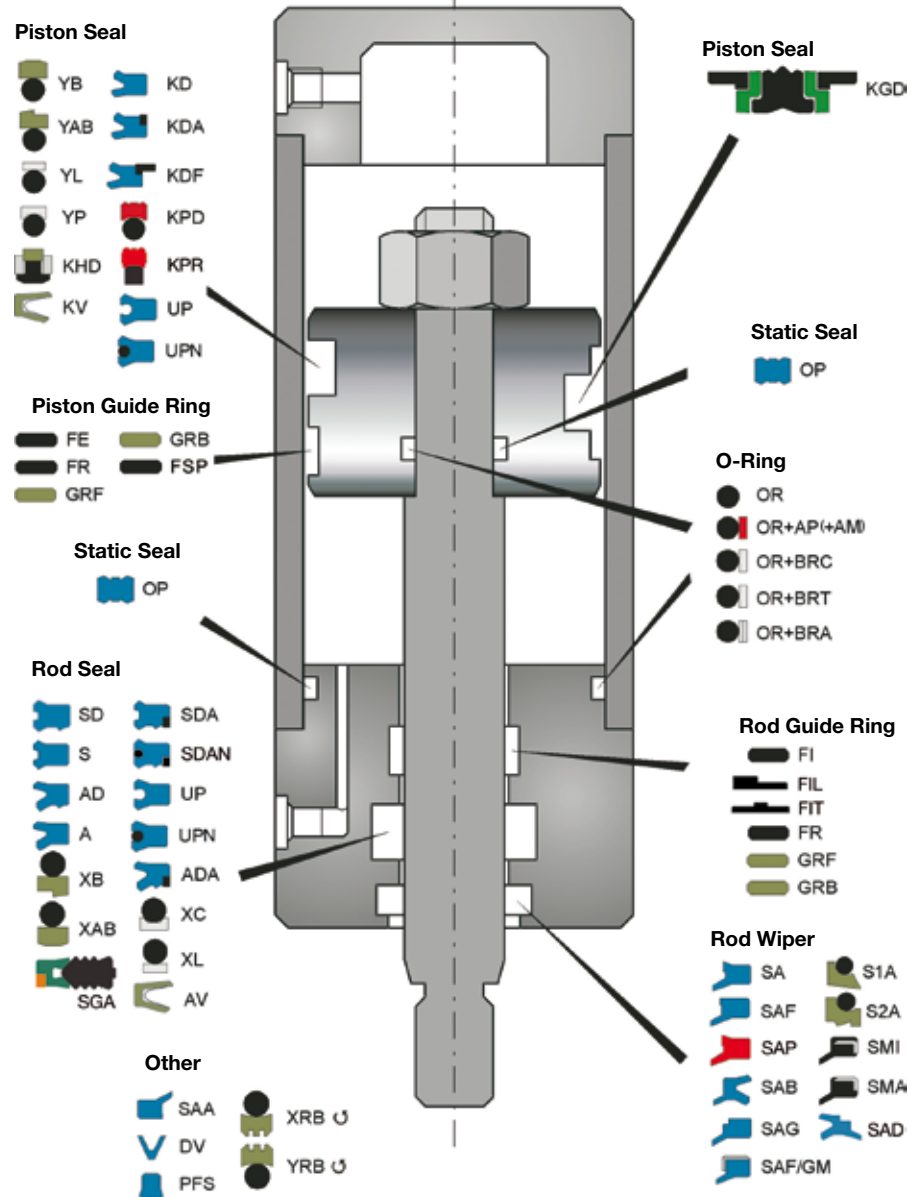
OTHER						
Type		P (bar)	V (m/s)	T (°C)	Mat.	Pag.
OR		*	*	-30 ÷ +110	NBR	148
AP		*	0.8	-40 ÷ +140	TPE	161
AM		*	0.8	-40 ÷ +140	TPE	169
BRC		500	2	-200 ÷ +200	PTFE	171
BRT		400	2	-200 ÷ +200	PTFE	172
BRA		400	2	-200 ÷ +200	PTFE	173
PFS		500	-	-40 ÷ +100	TPU	174
DV		-	-	-40 ÷ +100	TPU	175

* depending on working conditions

TECHNICAL INFORMATION

THE HYDRAULIC CYLINDER	9
MECHANICS OF SEALING	10
Pressure	10
Speed	11
Temperature	11
Friction	11
Wear and seal life	12
MATERIALS	13
Hardness	13
Elastic recovery	13
Elastic modulus	14
Tensile strength	14
Abrasion resistance	14
Tear resistance	14
Operating temperature	14
Materials	15
General properties of the common elastomers	19
Trademark names of the common materials	20
Fluid compatibility table	22
HOUSING CONSTRUCTION	23
Gap widths	23
Surface texture	23
Lead-in chamfer	24
INSTALLATION	24
General assembly suggestions	24
Installation guidelines for rod seals	24
Installation guidelines for piston seals	24
TROUBLE SHOOTING	25
GENERAL TECHNICAL DATA	26
Conversion Table	26
Tolerance chart - ISO	27

THE HYDRAULIC CYLINDER

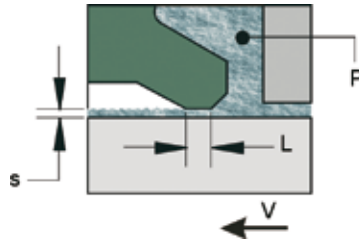


MECHANICS OF SEALING

The demand of seals for hydraulic cylinders is to prevent the flow of fluid across two surfaces in relative movement and to maintain a high level of sealing performance during their service life under the operating conditions for which they have been chosen.

During the movement a drag flow develops through the sliding motion and, as consequence of a hydrodynamic growth of pressure, the seal is lifted off the sliding surface and a thin film of fluid remains between the seal and the sliding surface. The thickness of this film of fluid is regulated by the following formula:

$$s = K \cdot \sqrt{\frac{\eta VL}{P}}$$



where

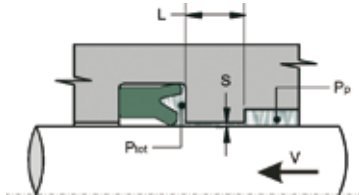
s	• thickness of the film of fluid
K	• coefficient ($\approx 2,3$)
η	• fluid viscosity
V	• speed
L	• length of the surfaces in relative movement
P	• pressure

Since the thickness of this film is the amount of fluid that goes through the seal during the movement, it can be considered within certain limits as something equivalent to a leakage.

PRESSURE

The pressures acting on the seals are those caused by the hydraulic pump of the circuit (P_p) and that created by the movement of the cylinder, called “drag pressure” (P_t):

$$P_{\text{tot}} = P_p + P_t = P_p + K \cdot \frac{\eta VL}{s^2}$$



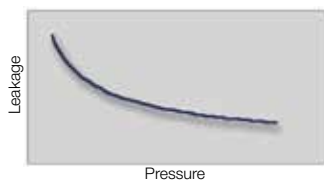
where

P_{tot}	• total pressure
P_p	• hydraulic pump's pressure
P_t	• drag pressure
K	• constant factor (≈ 5)
η	• fluid's viscosity
V	• speed
L	• length of the surfaces in relative movement
s	• distance between the surfaces

The drag pressure, especially in the case of close fittings, can sometimes be higher to that generated by the pump itself causing early damage to the seal.

During this exercise, the seal element can be subjected to continuous pressure variations that, even if for short periods, often reach very high intensity values.

Those additional loads, that must be held into consideration before choosing the right sealing system, expose the seal to a high operating stress.



LOW PRESSURE - LESS THAN 50 BAR

Low pressure is the most critical situation for good performance of the sealing system and is the situation where it is possible to have more leakage problems.

In those cases, the sealing lips are not energized enough from the fluid and the oil film between lip and dynamic surface reaches an excessive thickness.

The choice of the right profile and material of the seal can remarkably reduce the leakage risk in this situation.

MEDIUM PRESSURE - 50 ÷ 150 BAR

The pressure range between 50 and 150 bar is one of the most favourable and, in this condition, almost all types of seals guarantee good sealing performance, even if with variable life depending on the material of the seal.

HIGH PRESSURE - OVER 150 BAR

With high pressure conditions or in presence of high peaks (shock loads), the seals normally give very good results: it is the fluid pressure itself that energizes the sealing lips therefore guaranteeing very good sealing performance.

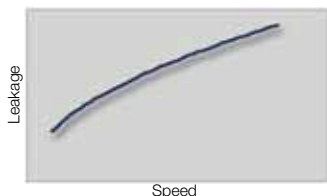
High pressure on the contrary reduces the entire sealing system's life. In these working conditions, we find lots of wear and extrusion cases that cause early damaging to the seals.

So the choice of materials becomes very important as they must be very resistant to extrusion and wear.

SPEED

The velocity between seal and moving surface is a critical factor to be considered on the choice of the seal and it has an important influence on the sealing system performance.

The leakage can be considered as proportional to the square root of the speed (see chapter "Mechanics of sealing") although it cannot be predicted in exact terms because it depends on so many factors starting with a suitable choice of seal for the job, type of fluid, temperature and surface quality.



LOW SPEED - LESS THAN 0,05 M/S

In the situation of low speed, there aren't generally leakage problems although the inconveniences of rapid wear and irregular movement ("stick-slip") can happen with good chances. In the low speed range, hydraulic pressure generated by motion is not generally sufficient to create a continuous film of fluid and the sealing lip comes into direct contact with the sliding surface giving rise to rapid wear and irregular movement. The "stick-slip" phenomenon, in particular, is a noisy juddering motion caused by a constant repeating of holding and sliding between seal and sliding surface.

The correct choice of seal profile and material (ex. PTFE, with low friction coefficient) can reduce the problem and also improves the fluid and speed control.

MEDIUM SPEED - 0,05 ÷ 0,3 M/S

This is the best situation where there are neither irregular movements, nor excessive losses typical of high speed. In these conditions, the hydraulic pressure generated by motion is able to guarantee a continuous film of fluid between sealing lip and sliding surface ensuring an accurate fluid control and the right lubrication of the seal.

The thickness of the film of fluid, proportional to the square root of the speed, does not generally reach the thicknesses liable to cause undesirable leakages.

HIGH SPEED - OVER 0,3 M/S

As the hydraulic pressure generated by motion increases, the seal is lifted off the sliding surface thus allowing an excessive thickness of fluid to pass. The situation becomes particularly critical when low pressure phases are associated with the high speed. In this case the seal is exclusively subjected to assembly deformation and, under such conditions, high modulus materials show their superiority by ensuring a high loading even in the absence of pressure.

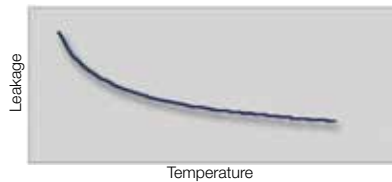
TEMPERATURE

The system temperature is a critical factor to be considered on the choice of materials and has an important influence on the extent of losses.

As a consequence of friction, the temperature on the sealing lips is generally higher than the system temperature, although it cannot be predicted in exact terms because it depends on many factors starting with the material, profile of the seal, type of fluid and surface quality.

Since the fluid viscosity is inversely proportional to temperature, the leakage can be considered as proportional to the square root of the inverse of temperature (see chapter "Mechanics of sealing"):

$$\text{leakage} \propto \sqrt{\frac{1}{T}}$$



LOW TEMPERATURE

When viscosity of the fluid grows, hardness of the sealing material increases and the seal loses elasticity thus allowing an excessive thickness of fluid to pass.

MEDIUM TEMPERATURE

This is the best situation where the fluid has suitable viscosity to prevent losses through sufficient lubrication and the shape variations of the seal due to thermal expansion and variations in hardness don't decisively influence sealing system performance.

HIGH TEMPERATURE

The sealing material becomes more elasticised, the volume of the seal increases and the viscosity of the fluid decreases thus reducing losses. However, at the same time, the insufficient lubrication increases the wear and the risk of irregular movements.

FRICITION

The friction between a dynamic seal and the sealing surface depends on a number of factors such as seal design and material, fluid, pressure, temperature, rubbing speed and surface finish. The frictional load resulting may not be significant in many applications (except in pneumatic cylinders where minimum friction is desirable for optimum performance), but friction itself can be harmful in generating heat which can cause degradation to the seal material and lubricant film and/or increase leakage by lowering viscosity. Degradation is more significant since this can yield abrasive products further contributing to friction and wear.

Seal performance in this respect is difficult to analyse in general terms since a number of empirical factors are involved, specific to the design of seal. However, as a basis, friction is obviously proportional to the pressure, although the co-efficient of friction involved may change with speed, temperature, material and surface finish.

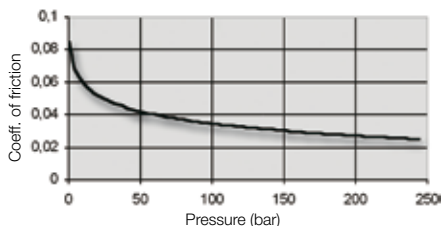
$$\text{Seal Friction} = K \cdot \mu \cdot (P_e)^2 \cdot V \cdot A$$

where

K	empirical factor specific to the design of seal installed and working under design conditions
μ	coefficient of friction
P_e	equivalent pressure equal to the interference pressure plus the fluid pressure
V	speed
A	surface seal face contact ($\approx \pi \cdot \text{Diameter} \cdot \text{RadialSection}$)

Specific values of K factor are difficult to obtain unless evaluated on empirical lines or on the basis of comparative data. This formula can only be used directly to investigate possible differences in performance and friction on compression seals of the same type and material, but different size.

FRICITION COEFFICIENT “ μ ”



The dry friction of typical seal materials rubbing on a smooth, dry seal surface may be anything from $\mu=0.4 \div 1$. For lubricated surfaces the range is much lower, for example, $\mu=0.02 \div 0.10$. This is particularly true in the case of elastomers. Fabric materials and impregnated fabrics show similar values of “ μ ” but usually with less variation, for example $\mu=0.04 \div 0.08$ for lubricated conditions.

In general, the harder the material the higher the friction, and the softer the material the lower the friction, although this only holds good at low pressure.

The coefficient of friction “ μ ” is also a function of pressure, although the actual relationship is not clearly established. Basically friction will be highest at low pressure, with a minimum value achieved at some high pressures (see figure).

The variation of friction with pressure is also dependent on the surface finish, and particularly the production method in the case of cylinders and piston seals. The more rapid increase in friction with increasing working pressure is marked with the rougher surface and texture of a cold hammered finish, compared with honed or burnished tubes.

Conventional cylinder finishes are produced by honing, resulting in a precisely controlled surface, having a average roughness of between $0.25 \mu\text{m}$ and $0.625 \mu\text{m}$. The biggest problem for the seal designer, however, has been caused by the recent tendency to use hydraulic cylinders produced directly from an “as-drawn” tube, without subsequent finishing treatment.

FRICITION AND SPEED

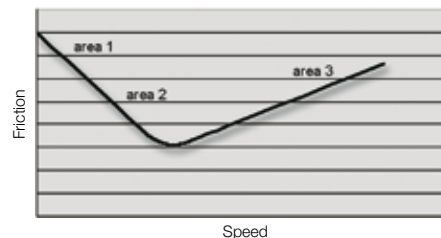
The variation of friction with rubbing speed is more clearly defined and follows three stages (see figure):

- static friction (direct contact between seal and dynamic surface)
- mixed friction (a mixed dry and liquid friction)
- liquid friction (a lubrication film of fluid between seal and dynamic surface)

At start up, the friction is high because it must get over the static friction coefficient [area 1].

Then, when the speed increases, a film of fluid interposes between seal and dynamic surface reducing the touching surface and thus the friction [area 2].

With a further speed rise the touching surface disappears and the friction, due to the shearing stresses of the fluid, increases [area 3].



WEAR AND SEAL LIFE

Because of their differing designs, and because they are produced from different materials, sealing systems have varying behaviour patterns at increasing operating pressures.

When a hard material is used the danger of damage by compression is reduced. On the other hand, a hard material does not have such good sealing characteristics as a soft material, particularly at low operating pressures.

For the best sealing system, effective at high and low operating pressures, a seal constructed from several types of material with different properties is needed. The ideal would be a solid seal made from several materials, having an increasing hardness and reaching a maximum hardness in the rear section of the seal space, where a gap occurs.

However, it is not practicable to achieve this fully although our designs of seals are constructed on a multi-stage principle in an attempt to approach the ideal.

Seals lose their ability to function because of normal wear to the seal material. This is greatest at the instant of starting and at low speeds, and also through erosion of the seal material when the pressurizing fluid flows over the sealing surface and impinges on an area of deterioration.

The first indication is seen at low pressure when, because of wear, the seal is no longer capable of maintaining the required contact with the sealing surface. At high pressure, because the deformation is greater, sealing may continue to be adequate so long as the pressure is maintained.

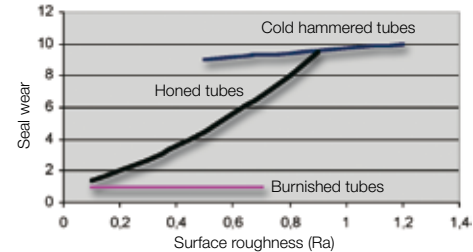
The life of a seal cannot be predicted in exact terms because it depends on many factors starting with a suitable choice of seal for the job and correct installation. Wear can then be aggravated by lack of lubrication, shaft irregularities, excessive frictional heat, a seal compound which is too soft, ect. The normal life expectancy of seals will also vary considerably from one application to another as acceptable conditions and even the type of seal recommended differ widely.

If the life of a seal is significantly less than average for a particular application, then it is probable that an unsuitable seal was chosen in the first place and that the operating conditions turned out to be more severe than was expected when the seal was chosen.

Seal wear is heavily dependent on the finish of the surface against which the seal rubs, this in turn being determined, to a large extent, by the production method.

The figure illustrates this for typical hydraulic cylinders with three different finishes. Seal wear here is graded visually from 0 for no apparent wear, to 10 for a worn out seal. These particular figures were taken after 100.000 cycles of cylinder operation at a working pressure of 250 bar.

A significant factor relative to the above is that with the burnished tube seal wear was largely unaffected by surface finish throughout the range 0.08 μm to 0.7 μm ; but rather more so in the case of cold hammered tubes with surface ranging from 0.4 μm to 1.25 μm .



MATERIALS

HARDNESS

In general terms materials with low hardness (softer materials) are more flexible and thus seal more readily on rougher surfaces or have better conformity, although they are more susceptible to wear, abrasion and extrusion.

A decrease in hardness can also be expected to reduce breakout friction with dynamic seals but running friction is reduced with increasing hardness (provided the unit surface load is reduced by reducing the squeeze). Basically, a higher hardness figure should give lower rubbing friction in any dynamic seal, although this depends specifically on adjusting the squeeze to compensate. Retaining the same squeeze and increasing the hardness of the elastomer can increase both the breakout friction and the running friction. Standard measurement of elastomer hardness are: **IRHD** (International Rubber Hardness Degrees), **BS** (British Standard) degrees and **Shore A Durometer**. The first two are identical, however, Shore A Hardness may be measured as an instantaneous reading or as a 30 second reading. In the former case the value obtained is about 5 degrees higher than IRHD. The hardness of any elastomer can be modified by compounding. Hardness is thus a control factor in the formulation of an elastomer for specific applications.

Hardness values used for seal materials may range from as soft as 40 to 50 °ShA up to a very hard compound of 95 °ShA hardness.

Hardness (and therefore friction) is also affected by swelling. Swelling tends to reduce hardness and at the same time will increase the squeeze. Similarly, hardness is affected by temperature, decreasing with increasing temperature, and vice versa. At the same time the squeeze is modified by the expansion or contraction of the seal.

ELASTIC RECOVERY

Elastic recovery, or resilience, is a measure of the ability of an elastomer to return to its original shape when a compression load is removed. Ideally a seal should have a good resilience which can be largely controlled by compounding. It is a peculiarity of many elastomers, however, that resilience can vary widely with temperature, and with a sharply defined minimum value which commonly occurs in the range of -20 to +20 °C. Some elastomers, notably silicones, retain substantially constant resilience over a wide range of temperatures.

A low rating is desirable for dynamic seals, where recovery is important; this may refer to **compression set** or tension set and is a measure of the permanent change in original dimension after being compressed, or stretched, under compressive or tensile loading, respectively.

Compression set is significant in that because most seals are loaded in compression some permanent reduction in dimension or shrinkage will occur, by the amount of set characteristic for that material. This may, however, be offset by other factors, such as swelling of the seal in contact with the fluid or can be allowed for in seal design.

Excessive **tension set** may result in a seal ring being a loose fit after being stretched in place over a rod because the seal does not recover to its original inside diameter to which the groove was matched. This

would probably be offset by **compression set** on completion of the assembly and so tension is normally ignored. The latter may be significant in plastomers which have low elongation and slow recovery, particularly if over-stretched. Both elastomers and plastomers, however, if loaded in tension, or with residual tensile stresses, will tend to contract with an increase in temperature.

ELASTIC MODULUS

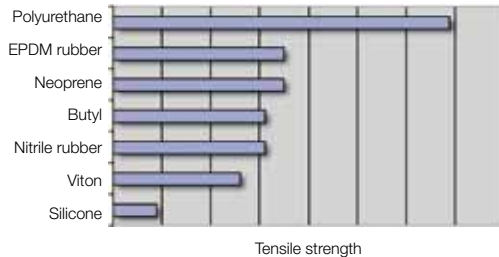
Elongation is a reciprocal indication of material stiffness. It is defined as the increase in length as a percentage of the original length which, for the ultimate case, is the elongation at the point of breaking. Elongation is also used to define an elastomer that is a material capable of 100% elongation. Permissible elongation (the percentage stretch which can be applied without permanent damage or *permanent set*) determines the amount by which a ring seal can be stretched to fit in place.

The term modulus is also used in connection with elongation and is generally taken to refer to the modulus (in tension) or the stress produced in the material at a predetermined elongation, for example, 100 % elongation. This can be used as a measure of quality control. Modulus can also refer to stress per specified distortion in shear and compression (*modulus in shear* and *modulus in compression*, respectively). A change of modulus of a material indicates a change in material characteristics, a loss of modulus, for example, indicates a degradation of the product.

As a general safety rule elastomers seals should not *permanently* stretched more than about 5% as otherwise the resulting residual stresses can cause early deterioration further accelerated by any rise in temperature. This applies particularly to the more generally used elastomers such as Nitrile and natural rubbers. Some elastomers, notably ethylene-propylene, can accommodate a relatively high amount of permanent stretch with no adverse effects.

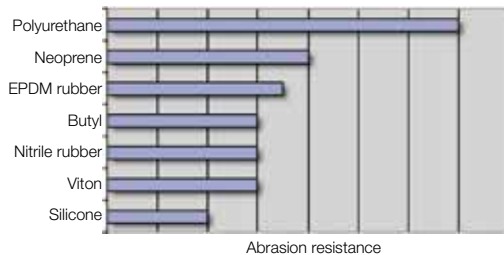
TENSILE STRENGTH

Tensile strength is a measurement of the mechanical strength of the material and in the case of elastomers can be taken as a general indication of resistance to deterioration under stress, for example wear and cracking. However, there is no direct relationship between tensile strength and wear resistance. Other factors, such as roughness of the surface against which the seal rubs, and service temperature, can be more significant in practice. The tensile strength of elastomers is generally low to moderate, polyurethane rubbers being the exception (see figure). Tensile strength also degenerates with increasing temperature. The actual value of tensile strength is not normally of critical importance in seals except those materials with a strength below 70 kg/cm² may not be suitable for dynamic seals.



ABRASION RESISTANCE

This is an important parameter as far as dynamic seals are concerned, but difficult to assess other than on purely empirical lines. Experience shows that certain materials such as natural rubber, polyurethane and leathers, have outstanding resistance to abrasion, while others, such as silicone rubbers, may have poor characteristics in this respect. In general, as far as elastomers are concerned, abrasion resistance generally improves with increasing hardness for particular basic elastomer and may be further enhanced by compounding. Good abrasion resistance is also often allied to high tear resistance, and vice versa.



TEAR RESISTANCE

In general tear resistance tends to be moderate to low with elastomers and high with fabricated materials or leather. The higher the tear resistance, the less likelihood of a seal failing should it be accidentally scratched or nicked, as may happen during fitting. Such materials with low tear resistance need particular care in handling and fitting to avoid all possibility of such damage occurring.

OPERATING TEMPERATURE

The operating temperature of a seal is a vital factor because any substantial difference between this and normal ambient temperature will normally modify the material characteristics, particularly in the case of elastomers. The changes which occur at **low temperatures** are quite different from those produced by elevated temperatures.

With decreasing temperature the tendency is for all elastomers to become progressively harder with loss of flexibility and slower recovery from deformation. Hardness/temperature curves in themselves do not give any

particularly useful information as hardness may reach a nominal or actual maximum value while the material still retains good flexibility.

Direct measurement of flexibility or torsional stiffness is much more significant, and if this is plotted against temperature it will show a curve with a characteristic bend, for example T2 point. From this it can be determined the freeze point where a marked loss of flexibility starts.

Beyond the freeze point stiffness increases very rapidly with further decreases in temperature until the brittle point is reached, that is, the material becomes brittle and will break if flexed.

For design purposes the freeze point can be determined as the temperature at which the original stiffness (at 20°C) is doubled (x2 freeze point). The freeze point equivalent to an increase in stiffness to ten times the original may also be given (x10 freeze point) as a close indication of the temperature at which the material becomes quite unusable for flexing and is rapidly approaching the brittle condition. The x2 freeze point represents a safe minimum temperature for working.

With certain elastomers a decrease in temperature may promote definite crystallization of the material in addition to normal stiffening. This may build up slowly, or even be localized to give a flat spot on the seal. The material may well be still useable under such conditions, due to the fact that it is nowhere near its brittle point, when in such cases the necessary resilience can be provided by spring loading if there is no immediate or economic choice of an alternative elastomer.

For any basic elastomer, low temperature characteristics can be modified to some extent by compounding. Thus an increase in hardness will usually lower the brittle point but make the material less flexible generally, whilst improvements in chemical resistance will often raise the brittle point.

It should also be emphasised that laboratory tests on the material alone at low temperature will not necessarily be characteristic of the material performance in service as a seal. This is largely because the fluid in contact with the seal can affect the degree of plasticization; it can be absorbed, for instance, and increase the effective degree of plasticization, or leach out a proportion of the original plasticizer. Control of these effects is largely a matter of compounding, although compatibility with the fluid may be a prior requirement, in which case it may be necessary to sacrifice some low temperature performance.

At **elevated temperatures**, all elastomers lose strength and thus tend to become softer and more flexible. Normally recovery is complete on reduction of temperature, but if the temperature is high enough some changes may be permanent. Also ageing characteristics are accelerated by heat, normally taking the form of a progressive increase in hardness and modulus with loss of elastomeric properties.

A further important effect which may have to be considered when the operating temperature of the seal differs substantially from normal room temperature is the relative thermal expansion or contraction of the seal and its surrounds. The thermal coefficient of expansion is much higher than that of metals (roughly ten times that of steel).

This is normally most significant at elevated temperatures where thermal expansion of the seal is substantially greater than that of its surrounds

and actual volumetric expansion may be further increased by swelling in contact with the fluid.

Material	Service temperature range	
	Min. [°C]	Max [°C]
Butyl rubber (IIR)	- 40	+ 150
Ethylenpropylenediene rubber (EPDM)	- 50	+ 150
Hydrogenated acrylonitrilebutadiene rubber (HNBR)	- 25	+ 150
Nitrile rubber (NBR)	- 30	+ 110
Phenol formaldehyde (PF)	- 40	+ 120
Polyacetal (POM)	- 40	+ 110
Polytetrafluoroethylene (PTFE)	- 200	+ 200
Polyurethane (TPU)	- 40	+ 100
Silicone rubber (MQ)	- 60	+ 230
Viton (FKM)	- 30	+ 200

MATERIALS

THERMOPLASTIC POLYURETHANE [TPU]	
Name	SEALPUR
Hardness	SEALPUR 93 → 93 °ShA SEALPUR 97 → 97 °ShA
Working temperature	- 40 ÷ +100 °C
Physical characteristics	<ul style="list-style-type: none"> • Strength → very high • Resilience → good • Resistance to abrasion → excellent • Resistance to ageing/weathering → medium
Fluid/chemical resistance	<ul style="list-style-type: none"> • Resistant to mineral oils and greases • Not resistance to automotive brake fluids, water or acids

Polyurethane is one of the more recently developed elastomers with exceptional strength, tear and abrasion resistance (better than all other rubbers) and retaining excellent flexibility at low temperatures.

It is an organic material of high molecular weight whose chemical composition is characterised by a large number of urethane groups. The composition of the material is determined by three components: polyol, diisocyanate and chain extender. The type and amount of these materials used, and the reaction conditions, are decisive in determining the properties of the resulting polyurethane material.

Resistance is good to petroleum products, hydrocarbons, ozone and weathering. Performance is generally unsatisfactory in contact with aqueous solutions of an acid or alkaline nature, chlorinated hydrocarbons, ketones, hot water, steam or glycol.

Polyurethane rubbers are, therefore, most attractive from the point of view of their mechanical strength rather than chemical or temperature properties. They may be used to advantage, if compatible, under abrasive conditions (particularly for wipers).

ACRYLONITRILE BUTADIENE RUBBER [NBR]	
Name	RUBSEAL
Hardness	RUBSEAL 70 → 70 °ShA RUBSEAL 75 → 75 °ShA
Working temperature	- 30 ÷ +110 °C
Physical characteristics	<ul style="list-style-type: none"> • Strength → medium • Resilience → medium • Resistance to abrasion → medium • Resistance to ageing/weathering → medium
Fluid/chemical resistance	<ul style="list-style-type: none"> • Resistant to mineral oils and greases, water and many other chemicals, hydrocarbon fuels, etc. • Not resistance to non-mineral automotive brake fluids <p><i>note: increase in acrylonitrile content improves resistance to mineral oil but adversely affects low temperature resistance</i></p>

Nitrile rubbers form the most important group of elastomers for general sealing use.

Chemically, Nitrile is a copolymer of butadiene and acrylonitrile content, typically varying between about 18% and 48%. Nominal designations are low, medium and high Nitrile. Resistance to petroleum based oils and hydrocarbons increases with increasing Nitrile content, but at the same time low temperature flexibility decreases. In order to obtain good low temperature performance with Nitrile rubbers it usually necessary to sacrifice some high temperature fuel and oil resistance.

Nitrile rubbers have good physical characteristics and are superior to most other rubbers. They are not particularly resistant to ozone, weathering and sunlight, but their properties in this respect can be improved by compounding. Due to their susceptibility to ozone attack Nitrile rubber seals should not be stored near any possible source of ozone (ex. near an electric motor or electrical equipment), or in direct sunlight.

POLYTETRAFLUOROETHYLENE [PTFE]	
Name	SEALFLON
Working temperature	- 200 ÷ +200 °C
Physical characteristics	<ul style="list-style-type: none"> • Strength → medium • Resilience → medium • Resistance to abrasion → medium • Resistance to ageing/weathering → excellent
Fluid/chemical resistance	The resistance to swelling is good in almost all media. The chemical resistance exceeds that of all other thermoplastics and elastomers.

Polytetrafluoroethylene (PTFE) is a polymer of tetrafluoroethylene.

This non-elastic polymeric material can be used as support member with an elastomeric seal.

It is characterised by a series of outstanding properties: the coefficient of friction is very low against most opposing surfaces made of other materials; the chemical resistance exceeds that of all other thermoplastics and elastomers, thus the resistance to swelling is good in almost all media (liquid alkali metals and a few fluorine compounds attack PTFE at higher temperatures and pressures); it is non-toxic at working temperatures up to + 200 °C; the surface is slippery and repels most media, its use is favoured in all cases where the retention of residues is to be avoided; the electrical insulating properties are outstandingly good, they are almost independent of frequency, temperature and weathering effects.

The Temperature range for use is between -200 °C and + 200 °C. Even at - 200 °C, PTFE still has some elasticity and therefore it can be used for seals and constructional parts, for example, with liquified gases.

When using parts of pure PTFE, the following points should be noted: that above a certain level of stress, the material continues to deform due to creep or cold flow; that the abrasion resistance is low; that thermal expansion, like most plastics, is about 10 times that of metals; that the thermal conductivity is low so that removal of heat from bearings and from other moving seals can lead to problems; that the material is not elastomeric but is hard like polyethylene.

The latter can present problems in fitting, such as stretching the ring sufficiently to locate in their grooves. Recovery from stretch will also be slow, so that assembled rings will have to be left for a considerable period be-

fore they recover their original size, although this process of recovery can be accelerated by gentle heating.

For these reasons, elastomeric seals in assemblies cannot simply be replaced by PTFE seals. With lip seals, provision must be made for a constant additional contact pressure by the use of springs or by other means. PTFE is filled with graphite, glass fibres, bronze and carbon to achieve special properties.

THERMOPLASTIC POLYESTER RESIN [TPE-E]	
Name	SEALITE
Hardness	SEALITE 55 → 55 °ShD SEALITE 63 → 63 °ShD
Working temperature	- 40 ÷ +140 °C
Physical characteristics	<ul style="list-style-type: none"> • Strength → very high • Resilience → high • Resistance to abrasion → outstanding • Resistance to ageing/weathering → excellent
Fluid/chemical resistance	Resistant to solvents, hydrocarbon fluids including petrol and lubricating oils

Thermoplastic polyester resin is a medium modulus material mainly used in the manufacturing of antiextrusion rings to support sealing elements. It provides a winning combination for many parts and components: it gives the flexibility of rubbers, the strength of plastics, and the processibility of thermoplastics.

It provides an extra measure of performance and service life in application where properties such as abrasion resistance and tear strength are critical. It provides better performance in low temperature environments keeping its good properties ("creep", impact resistance, fatigue life) at high temperature.

Its chemical properties make it highly resistant to hydrocarbons and many other fluids.

ACETAL RESIN [POM]	
Name	BEARITE
Working temperature	- 40 ÷ +110 °C
Physical characteristics	<ul style="list-style-type: none"> • Strength → very high • Resistance to abrasion → excellent • Resistance to ageing/weathering → good
Fluid/chemical resistance	<ul style="list-style-type: none"> • Resistant to gasoline, moisture, lubricating oils, solvents and many other neutral chemicals • Not resistance to strong acids or bases outside the range of pH 4 to 9, under constant exposure to pressurised hot water or vapour

Acetal resin with glass fibre is a high modulus material mainly used in the manufacturing of wear rings or antiextrusion rings (with glass fibre).

Acetal resins are made by the polymerisation of formaldehyde. The homopolymer offers significantly better mechanical properties than copolymer due to the highly crystalline structure of the acetal homopolymer.

They have built up a worldwide reputation for reliability in engineering components.

They are characterised by a series of outstanding properties: high tensile strength, impact resistance and stiffness; good fatigue resistance, unmatched by other plastics; excellent dimensional stability; "creep" resistance; low friction; wide working temperature range, down to very low temperatures.

The low water absorption is especially significant because better dimensional stability in humid conditions is thus guaranteed, even when compared with polyamide.

PHENOL-FORMALDEHYDE [PF]	
Name	PHENOLITE
Working temperature	- 40 ÷ +120 °C
Physical characteristics	<ul style="list-style-type: none"> • Strength → excellent • Resilience → excellent • Resistance to abrasion → excellent • Resistance to ageing/weathering → good
Fluid/chemical resistance	Resistant to mineral oils, greases, organic solvents, weak acids and alkalis, and saline solutions

Phenol-Formaldehyde is a high modulus material mainly used in the manufacturing of wear rings.

It is a synthetic resin formed from the elimination reaction of phenol with formaldehyde.

It is characterised by a series of outstanding properties: excellent resistance to loads; high tensile strength, extended service life, low friction, wear-resistance, impact resistance and stiffness; "creep" resistance; flame retardant; wide working temperature range from -40°C to +120°C; excellent dimensional stability and accuracy of thickness.

For short periods can tolerate temperatures up to +300°C.

At normal temperature phenol is pale yellowish; the colour stability of phenol is decreased by the effects of light, air and iron oxides during storage. Due to its chemical structure it is not suitable for use with foodstuffs.

ETHYLENE-PROPYLENE [EPDM]	
Working temperature	- 50 ÷ +150 °C
Physical characteristics	<ul style="list-style-type: none"> • Strength → medium • Resilience → medium • Resistance to abrasion → medium • Resistance to ageing/weathering → good
Fluid/chemical resistance	<ul style="list-style-type: none"> • Resistant to non-mineral oils, automotive brake fluids, phosphate ester fluid, water/steam and many chemicals • Not resistance to mineral oils and grease or hydrocarbon fuels

Ethylene-Propylene is one of the best general-purpose synthetic rubbers. Polymerisation and catalyst technologies in use today provide the abil-

ity to design polymers to meet specific and demanding application and processing needs. EPDM rubbers are valuable for their excellent resistance to heat, oxidation, ozone and weather-ageing due to their stable, saturated polymer backbone structure.

Compression set resistance is good, particularly at high temperatures. They have a good resistance to polar solvents such as water, acids, alkalies, phosphate ester and many ketones and alcohols.

FLUOROELASTOMER [FKM]	
Trademark name	Viton
Working temperature	- 30 ÷ +200 °C
Physical characteristics	<ul style="list-style-type: none"> • Strength → medium • Resilience → poor • Resistance to abrasion → poor • Resistance to ageing/weathering → excellent
Fluid/chemical resistance	Excellent resistance to mineral oils and hydrocarbon fuels. Resistant to many chemicals except ketones, alcohols and acids

Fluoroelastomer rubber, well known for its excellent heat resistance (200 °C), offers excellent resistance to aggressive fuels and chemicals. Many types of Fluoroelastomer rubbers have been developed to meet specific end-use and processing needs. There are differences between rubber types in terms of chemical resistance and mechanical properties. The general purpose types differ primarily from the specialty types in chemical resistance.

The formulation of fluoroelastomer rubbers, can be tailored to a reasonable extent to meet the needs of high heat, oil and chemical resistance but indifferent low temperature performance.

They are one of the most resistant to high temperatures of all of the commercially available elastomers.

SILICONE [MQ]	
Working temperature	- 60 ÷ +230 °C
Physical characteristics	<ul style="list-style-type: none"> • Strength → poor • Resilience → medium • Resistance to abrasion → poor • Resistance to ageing/weathering → excellent
Fluid/chemical resistance	<ul style="list-style-type: none"> • Resistant to mineral oils and greases • Not resistant to water, acids and non-mineral automotive brake fluids

Basically, silicones have poor strength and tear and abrasion resistance, although mechanical performance can be enhanced by special compounding. Resistance is generally good to alkalis; the chemical properties can be enhanced by special compounding to provide better resistance to oils and fuels for instance. In general, however, silicone rubbers are not recommended for use with hydrocarbons such as petrol and paraffin, the lighter minerals or steam at high pressure as otherwise considerable swelling and softening of the elastomer can result.

The chief advantage of this type of elastomer is that it retains its flexibility down to very low temperatures, and can also withstand continuous heating at high temperatures without hardening, making it suitable for both high and low temperature seals over a broader range than that covered by the other elastomers. A further application is for high speed seals (ex. rotary seals) where the operating temperatures may be higher than that permissible with conventional elastomers due to the friction developed, where again a silicone rubber may provide an answer. The cost of silicone rubber is, however, substantially higher than that of the most other elastomers.

FLUROSILICONE [FMQ]	
Working temperature	- 50 ÷ +200 °C
Physical characteristics	<ul style="list-style-type: none"> • Strength → poor • Resilience → medium • Resistance to abrasion → poor • Resistance to ageing/weathering → excellent Typical working values depend on compound formulation
Fluid/chemical resistance	Good resistance to mineral oils, greases and hydrocarbon fuels

Working characteristics of fluorosilicone rubbers are generally similar to those of ordinary silicone, but with a more restricted service temperature range. The main advantage offered is that fluorosilicone rubbers can have an oil resistance comparable with or closely approaching that of Nitrile rubbers. They can thus be used for the service temperature limits of nitrile rubbers and where ordinary silicone elastomers do not have necessary compatibility with the fluid.

POLYCHLOROPRENE [CR]	
Common name	Neoprene
Working temperature	- 30 ÷ +80 °C
Physical characteristics	<ul style="list-style-type: none"> • Strength → medium • Resilience → medium • Resistance to abrasion → medium • Resistance to ageing/weathering → very good
Fluid/chemical resistance	<ul style="list-style-type: none"> • Moderate resistance to mineral oils and greases • Not resistant to non-mineral automotive brake fluids

Polychloroprene is one of the best general-purpose synthetic rubbers, although its use in seal applications is somewhat limited at the present time. Its main advantage is its excellent resistance to weather-ageing. It is also superior to natural rubber in performance at higher temperatures, but tends to harden or stiffen at low temperatures and may also crystallize at low temperature if under stress. This tendency can be reduced by the correct choice of polymer type and by compounding

GENERAL PROPERTIES OF THE COMMON ELASTOMERS

Rating guide

excellent	↑
good	↗
fair	→
questionable	↘
poor	↓

	IIR <i>butyl</i>	EPDM <i>ethylene-propylene</i>	FKM <i>viton</i>	FMQ <i>fluoro-silicone</i>	CSM <i>hypalon</i>	FFKM <i>kalrez</i>	CR <i>neoprene</i>	NBR <i>nitrile rubber</i>	TPU <i>polyurethane</i>	MQ <i>silicone</i>	SBR <i>styrene-butadiene</i>	PTFE <i>teflon</i>
Economy	→	↗	→	↓	→	↓	↗	↑	↑	→	↑	↓
Temperature range °C	-40 +150	-50 +150	-30 +200	-50 +200	-20 +120	-45 +300	-30 +80	-30 +110	-40 +100	-60 +230	-50 +100	-200 +200
Tensile strength	-	↗	→	↓	↗	→	→	↗	↑	↓	↗	→
Elongation max. %	800	600	300	600	500	150	600	600	500	800	600	250
Hardness range °ShA	40 80	40 90	50 95	50 80	50 90	65 95	40 90	40 90	40 94	25 80	40 90	98
Resilience - Rebound	↓	↗	→	↗	→	-	↑	↗	↑	→	↗	↓
Compression set	→	→	↗	↑	→	↗	→	↗	→	↑	↗	↓
Adhesion to metals	↗	→	→	↘	↑	-	↑	↑	→	↗	↑	↑
Abrasion resistance	→	↗	↗	↓	↑	-	↑	↗	↑	↓	↑	→
Tear resistance	↗	→	→	↘	→	-	↗	↗	↑	↓	→	↓
Weather resistance	↑	↑	↑	↑	↑	-	↑	↘	↗	↑	↓	↑
Ozone resistance	↑	↑	↑	↑	↑	-	↑	↓	↑	↑	↓	↑
Water swell resistance	↑	↑	↗	↑	→	↑	→	↗	↓	↑	↑	↑
Steam resistance	↗	↑	↓	↓	↓	↑	↓	↓	↓	↘	↓	-
Gas impermeability	↑	→	↑	↓	↗	-	↑	↑	↑	↓	→	↗
Acid resistance	↑	↗	↑	↗	↑	↑	→	↗	↓	→	→	↑
Alkali resistance	↑	↑	→	→	↑	↑	↑	↗	→	↑	→	↗
Alcohols	↑	↑	→	↗	↑	↑	↑	↑	↓	↑	↑	↑
Mineral oils	↓	↓	↑	↑	→	↑	↗	↑	↗	↓	↓	↑
Aliphatic hydrocarbons	↓	↓	↑	→	→	↑	→	↑	→	↓	↓	↑
Aromatic hydrocarbons	↓	↓	↑	→	↘	↑	↓	↓	→	↓	↓	↑
Halogenated hydrocarb.	↓	↓	↑	↘	↘	→	↓	↘	→	↓	↓	↑
Phosphate ester	↗	↑	↓	↘	↓	↑	↓	↓	↓	↓	↓	-
Polar solvents	↗	↑	↓	↓	↓	↑	↓	↓	↓	↓	↓	↑

TRADEMARK NAMES OF THE COMMON MATERIALS

Trademark name	Chemical name	Symbol
Adiprene	Polyurethane	TPU
Alathon	Polyethylene	PE
Algoflon	Polytetrafluoroethylene	PTFE
Baylon	Polyethylene	PE
Baypren	Polychloroprene	CR
Breon	Acrylonitrile Butadiene	NBR
Breon	Polyvinyl chloride	PVC
Buna AP	Ethylene-Propylene	EPDM
Buna Hüls	Styrene-butadiene	SBR
Buna N	Acrylonitrile Butadiene	NBR
Buna SB	Styrene-butadiene	SBR
Butaclor	Polychloroprene	CR
Butacril	Acrylonitrile Butadiene	NBR
Butakon	Acrylonitrile Butadiene	NBR
Cariflex S	Styrene-butadiene	SBR
Carom	Styrene-butadiene	SBR
Chemigum	Acrylonitrile Butadiene	NBR
Chemraz	Perfluoroelastomer	FFKM
Crastin	Polybutylene terephthalate	PBTP
Cyanacryl	Acrylate rubber	ACM
Cycolac	Acrylonitrile-butadiene-styrene	ABS
Dai El	Fluoroelastomer	FKM
Delrin	Acetal resin	POM
Denkachloprene	Polychloroprene	CR
Desmopan	Polyurethane	TPU
Durethan	Polyamide	PA
Dutral	Ethylene-Propylene	EPDM
Dymetrol	Polyamide	PA
Elastothane	Polyurethane	TPU
Enjay butyl	Butyl	IIR
Epsyn	Ethylene-Propylene	EPDM
Esso butyl	Butyl	IIR
Estane	Polyurethane	TPU
Europrene	Styrene-butadiene	SBR
Europrene AR	Acrylate rubber	ACM
Europrene N	Acrylonitrile Butadiene	NBR
Ferrozell	Phenol-Formaldehyde	PF

Trademark name	Chemical name	Symbol
Fuon	Polytetrafluoroethylene	PTFE
Fuorel	Fluoroelastomer	FKM
Halon	Polytetrafluoroethylene	PTFE
Hostaflon	Polytetrafluoroethylene	PTFE
Hostaform	Acetal resin	POM
Hostalen	Polyethylene	PE
Hostalit	Polyvinyl chloride	PVC
Hostyren	Polystyrol	PS
Hycar	Acrylonitrile Butadiene	NBR
Hypalon	Chlorosulphonated polyethylene	CSM
Kalrez	Perfluoroelastomer	FFKM
Keltan	Ethylene-Propylene	EPDM
Krynac	Acrylonitrile Butadiene	NBR
Lexan	Polycarbonate	PC
Lupolen	Polyethylene	PE
Lustrex	Polystyrol	PS
Makrolon	Polycarbonate	PC
Neoprene	Polychloroprene	CR
Nipol	Acrylonitrile Butadiene	NBR
Nipol AR	Acrylate rubber	ACM
Nitriflex	Acrylonitrile Butadiene	NBR
Nordel	Ethylene-Propylene	EPDM
Novodur	Acrylonitrile-butadiene-styrene	ABS
Noxtite	Fluoroelastomer	FKM
Noxtite PA	Acrylate rubber	ACM
Nylon	Polyamide	PA
Paracril	Acrylonitrile Butadiene	NBR
Pellethane	Polyurethane	TPU
Pertinax	Phenol-Formaldehyde	PF
Plaskon	Polyvinyl chloride	PVC
Pocan	Polybutylene terephthalate	PBTP
Polysar butyl	Butyl	IIR
Polysar EPDM	Ethylene-Propylene	EPDM
Rhodorsil	Silicone	MQ
Rilsan	Polyamide	PA
Royalene	Ethylene-Propylene	EPDM
Silastic	Silicone	MQ
Silicone	Silicone	MQ

Trademark name	Chemical name	Symbol
Silopren	Silicone	MQ
Simputhan	Polyurethane	TPU
Simriz	Perfluoroelastomer	FFKM
Solprene	Styrene-butadiene	SBR
Tecnoflon	Fluoroelastomer	FKM
Teflon	Polytetrafluoroethylene	PTFE
Terluran	Acrylonitrile-butadiene-styrene	ABS
Ultradur	Polybutylene terephthalate	PBTP
Ultraform	Acetal resin	POM
Ultramid	Polyamide	PA
Urepan	Polyurethane	TPU
Vamac	Ethylene acrylate	AEM
Vestamid	Polyamide	PA
Vestodur	Polybutylene terephthalate	PBTP
Vestyron	Polystyrol	PS
Vistalon	Ethylene-Propylene	EPDM
Viton	Fluoroelastomer	FKM
Vulkollan	Polyurethane	TPU

FLUID COMPATIBILITY TABLE
Rating guide

Good	↑
Fair	↗
Questionable	→
Poor	↓

Symbols guide

NBR	Nitrile rubber
EPDM	Ethylene-propylene
FKM	Fluoroelastomer (Viton)
CR	Neoprene
FMQ	Fluoro-silicone
POM	Acetal resin
TPU	Polyurethane
TPE-E	Polyester resin
PTFE	Polytetrafluorethylene

Fluid	NBR	EPDM	FKM	CR	FMQ	MQ	POM	TPU	TPE-E	PTFE
Acetaldehyde	→	↗	↓	→	↓	↗		↓		↑
Air	↑	↑	↑	↑	↑	↑	↑	↑	↑	↑
Air-with oil mist	↑	↓	↑	↗	↑	↗	↑	↑	↑	↑
Ammonia	↗	↑	↓			↓	↓	↓		↑
Benzene / Benzol	↓	↓	↑	↓	→	↓	↓	↓		↑
Biodegradable polyglycol oil, HEPG	↓	↑	↑				↑	↓	↑	↑
Biodegradable synthetic ester oil, HEES	↓	↓	↑				↑	→	↑	↑
Biodegradable vegetable oil, HETG	↑	↓	↑				↑	→	↑	↑
Brake fluid	↓	↑	↓	→	↓	→	↑	↓		↑
Combustible oil	↗	↓	↑				↗			↑
Distilled water	↗	↗	↗					↓		↑
Ethyl alcohol	↗	↑	↗	↑	↑	↗	→	↓	↑	↑
Fuel ASTM A	↑	↓	↑	↗	↑	↓		↑		↑
Fuel ASTM B	→	↓	↑	↓	↑	↓		↓		↑
Fuel ASTM C	↗	↓	↑	↓	↗	↓		↓		↑
Fuel ASTM D	↑	↓	↑	→	↑	↓		→		↑
Fuel oil	↑	↓	↑	↗	↑	↓	→	↗	↑	↑
Gasoline	↗	↓	↑	↓	↑	↗	→	↗	↑	↑

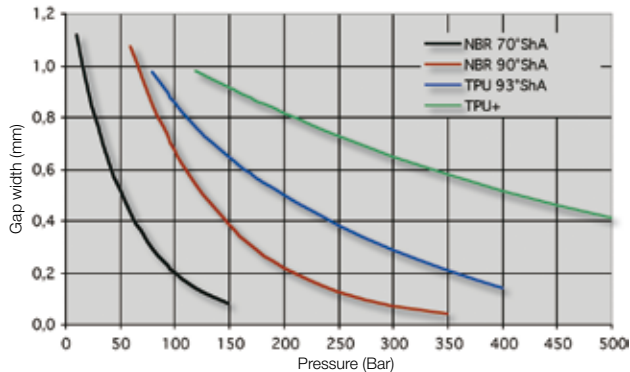
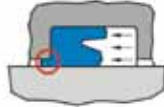
Fluid	NBR	EPDM	FKM	CR	FMQ	MQ	POM	TPU	TPE-E	PTFE
Glycerine	↑	↑	↑	↑	↑	↑	↑	↓	↑	↑
Glycols	↑	↑	↑	↑	↑	↑	↑	↓	↑	↑
Grease, mineral	↑	↓	↑	→	↑	↓		↑	↑	↑
Houghto-Safe 1010	↓	↑	↑							↑
Houghto-Safe 1120	↓	↑	↑							↑
Houghto-Safe 620	↑	→	↑				↑	↓	↑	↑
Kerosene	↗	↓	↑	↗	↑	↓	↑	↑		↑
Methyl alcohol	↑	↑	↓	↑	↑	↑	↓	↓	↑	↑
Methyl ethyl ketone	↓	↑	↓	↓	↓	↓	↑	↓	→	↑
Oil ASTM #1	↑	↓	↑	↑	↑	↑	↑	↑	↑	↑
Oil ASTM #2	↑	↓	↑	↗	↑	↓		↓		↑
Oil ASTM #3	↑	↓	↑	↓	↑	→	↑	↗	↑	↑
Oil ASTM #4	↗	↓	↑	↓	↗	↓		↓		↑
Ozone	↓	↑	↑	→	↑	↑		↑		↑
Paraffin	↑	↓	↑	↑		↓	↑	→	↑	↑
Petroleum oil	↑	↓	↑	↗	↗	↗	↑	↑	↑	↑
Salt water	↑	↑	↑	↗	↑	↑	↑	↗	↑	↑
Soap solution	↑	↑	↑			↗	↑	↑		↑
Sodium hydroxide	↗	↑	↗	↗	↗	↑	↓	→	↑	↑
Steam	↓	↑	↗	↓	↓	→	↑	↓	→	↑
Toluene	↓	↓	↑	↓	↗	↓	↓	↓	→	↑
Water (above 50 °C)	→	↑	↑				↑	↓		↑
Water (below 50 °C)	↑	↑	↗	↗	↑	↑	↑	→	↑	↑
Water-glycol emulsion	↑	↑	↗	↗		↗	↑	↓	↑	↑
Water-oil emulsion	↑	↓	↑				↑	→	↑	↑

HOUSING CONSTRUCTION

GAP WIDTHS

The limiting values for the gap at the non-pressurized side of the seal are determined by the pressure loading, by the type of the seal and by the material of the seal.

When calculating the gap widths, the given play at the guide (fitting tolerance) and the elastic stretching of the cylinder bore under pressure must be considered. Otherwise the permissible gap width will be exceeded with offset installation of the rod or piston. If the permissible gap widths are exceeded, then extrusion wear (see figure) occurs at the back of the seal and this destroys the seal after a short period of time.

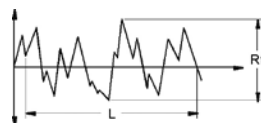
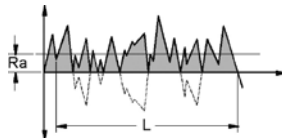


SURFACE TEXTURE

GENERAL INFO

The texture of a surface against which a seal rubs has a significant effect on friction, wear and seal life. Texture in this context refers both to surface roughness and to the pattern of these irregularities. The former is capable of sampling measurement. Pattern can only be described empirically. The standard method of measuring roughness is by an **average** value of the profile variation from a centre line over a reference length (L). This is known as Centre Line Average (CLA), now commonly expressed as **Ra** (µm).

Surface roughness may also be expressed in terms of maximum roughness, depth or the distance between the peak and the base line measurement over the sampling length. **Maximum roughness** is designed **Rt**



and is measured in the same units as Ra. Both values can be significant in determining the optimum surface finish required for use with seal.

RECOMMENDED SURFACE FINISHES

The aim of all types of surface finishing is to provide a surface which causes the least wear to the seal.

Rod seals, which seal against moving surfaces, can be damaged by fine abrasive particles which may adhere to a rough surface. Rods should, therefore, have a low surface roughness value, and a surface similar to the hard chrome and a resistance to corrosion. The ideal surface roughness lies somewhere around 0.3 µm (Ra) or 2.3 µm (Rt).

Piston seals, which seal against the inner surface of a cylinder, are not subjected to the same extent to the action of abrasive dirt particles entering from the atmosphere, and can, therefore, tolerate a rougher surface. The ideal surface roughness value lies around 0.5 µm (Ra) or 3.7 µm (Rt). The operating pressure must also be taken into account when evaluating surface properties. At higher operating pressure, the oil film between the seal and the sealing surface is thinner, and the friction is greater. Under such conditions of operation a surface quality which approaches the lower values given should be chosen.

The surface in the seal housing, where the seal is static, should have a surface quality of about 1 µm (Ra) or 7 µm (Rt).

FINISHES FROM MACHINING PROCESSES

Both the roughness and pattern of the surface finish produced can vary widely with different machining processes. The following gives typical values likely achieved with different processes (but can also be variable depending on the quality of the machine tool and the material being processed).

As an example, optimum seal life with a hydraulic piston rod seal is given when the rod is circular ground (or roller burnished) to a surface finish of better than 0.2 µm (Ra).

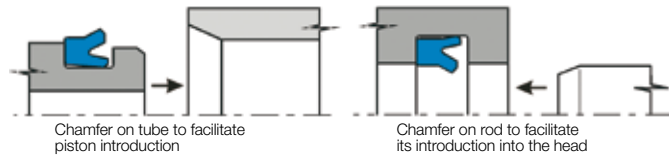
Process	Surface finish Ra [µm]
Planing	1.5 ÷ 12.5
Shaping	1.5 ÷ 12.5
Milling	0.9 ÷ 6.25
Broaching	0.9 ÷ 3.00
Reaming	0.9 ÷ 3.00
Boring	0.5 ÷ 6.25
Turning	0.5 ÷ 6.25
Diamond bored and turned	0.25 ÷ 0.5
Grinding	0.125 ÷ 1.75
Honing	0.125 ÷ 1.625
Buffing, burnishing	0.125 ÷ 0.5
Lapping	0.05 ÷ 0.5
Polishing	0.05 ÷ 0.5
Super finishing	0.025 ÷ 0.25

- Roughness with the common metal work processes -

LEAD-IN CHAMFER

It is very important to ensure rounded lead-in chamfers (see figure) without sharp edges and burrs to avoid damaging the sealing lips during the assembly of the cylinder components. However it is very difficult, during installation, to damage some resistant materials such as polyurethane, for instance.

In the tables of each item, the values recommended for depth and length of chamfers are shown. A reduction of that values may create assembly problems.



INSTALLATION

GENERAL ASSEMBLY SUGGESTIONS

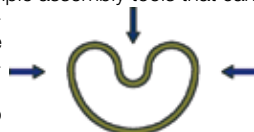
The following are general rules for good installation valid for all types of seals:

- To avoid damaging the sealing lips during installation, housing must have rounded chamfers. Sharp edges and burrs within the installation area of the seal must be removed
- Check presence of lead-in chamfer and absence of sharp and cutting edges
- Lubricate both seal and sliding surfaces during assembly with the same fluid as used in the hydraulic system, or with a compatible one
- Adhere to the tolerances and surface finishes stated in this catalogue to make the fitting of the seal easier and to avoid assembly damages
- All parts must be perfectly clean, without metal particles, welding splatter or any kind of defect
- During installation, avoid using pointed or sharp metal tools
- Check the correct orientation of the seal according to the fluid direction
- After assembly, it is advisable to test the cylinder because, during the first cycles, a leakage of a certain quantity of fluid could happen due to the settling of the seals
- To avoid permanent damage of the seals, after completing the cylinder assembly, don't exceed temperature of 80 °C during operations such as painting, heat curing, etc.

INSTALLATION GUIDELINES FOR ROD SEALS

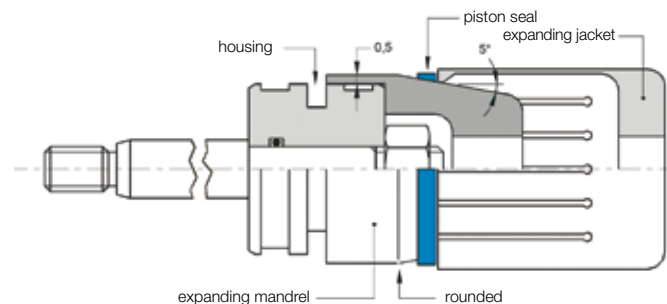
Usually rod seals can be assembled without using special tools. Rod seals with small diameter need the use of simple assembly tools that can facilitate the assembly. These tools, manufactured conveniently out of metal, should be adapted to the other equipment for the cylinder assembly.

The rod seals can also be easily placed into closed housing grooves deforming them by hand or with a special tool to obtain a ring similar to a kidney shape (see *figure*).



INSTALLATION GUIDELINES FOR PISTON SEALS

Usually piston seals can be assembled without using special tools. Piston seals with a large radial section in relation to the diameter should be slowly expanded and fitted with simple tools that can facilitate the assembly. These tools, manufactured conveniently out of metal, should be adapted to the other equipment for the cylinder assembly (see *figure*). Pre-heating to 50÷60 °C in hydraulic oil is advantageous.



TROUBLE SHOOTING

Fault	Cause	Action
High friction	<ul style="list-style-type: none"> • improper assembly 	<ul style="list-style-type: none"> • check against recommended assembly for that type of seal, reduce interference fit or pressure if necessary
	<ul style="list-style-type: none"> • wrong size of seal 	<ul style="list-style-type: none"> • check geometric specification
	<ul style="list-style-type: none"> • poor surface finish 	<ul style="list-style-type: none"> • improve surface finish or use a seal material capable of rubbing on a rougher surface
	<ul style="list-style-type: none"> • excessive rubbing speed 	<ul style="list-style-type: none"> • different seal type may be required
	<ul style="list-style-type: none"> • excessive pressure being sealed 	<ul style="list-style-type: none"> • replace seal with a different type, or with different type of elastomer
Stick-slip	<ul style="list-style-type: none"> • seal allowed to dry out 	<ul style="list-style-type: none"> • -
	<ul style="list-style-type: none"> • poor surface finish 	<ul style="list-style-type: none"> • improve surface finish or use a seal material capable of rubbing on a rougher surface
	<ul style="list-style-type: none"> • inadequate lubricating film 	<ul style="list-style-type: none"> • amend operating conditions or change seal type (e.g. use PTFE composite seal)
Excessive leakage	<ul style="list-style-type: none"> • seal fitted wrong way round 	<ul style="list-style-type: none"> • check - or use double-acting seal when required
	<ul style="list-style-type: none"> • insufficient pre-load 	<ul style="list-style-type: none"> • check geometry and pre-load specification
	<ul style="list-style-type: none"> • seal shrinkage 	<ul style="list-style-type: none"> • check that seal material is compatible with fluid; if not replace seal
	<ul style="list-style-type: none"> • seal wear 	<ul style="list-style-type: none"> • replace seal; if life is low, consider an alternative seal type. Check for cause if seal is damaged
Seal damage	<ul style="list-style-type: none"> • incorrect initial assembly 	<ul style="list-style-type: none"> • replace seal following manufacture's assembly instructions
	<ul style="list-style-type: none"> • spiral failure (applicable to O-Ring) 	<ul style="list-style-type: none"> • check geometry; also suitability of O-Ring for the application
	<ul style="list-style-type: none"> • extrusion damage 	<ul style="list-style-type: none"> • reduce extrusion gap in seal assembly; or incorporate back-up ring
	<ul style="list-style-type: none"> • rubbing 	<ul style="list-style-type: none"> • check geometry; reduce extrusion gap if necessary

GENERAL TECHNICAL DATA

CONVERSION TABLE

LENGTH

	m	mm	µm	in	ft	mile
m	1	10 ³	10 ⁶	39,37	3,2808	6,21 • 10 ⁻⁴
mm	10 ⁻³	1	10 ³	0,03937	0,0033	6,21 • 10 ⁻⁷
µm	10 ⁻⁶	10 ⁻³	1	3,94 • 10 ⁻⁵	3,28 • 10 ⁻⁶	6,21 • 10 ⁻¹⁰
in	0,0254	25,4	25400	1	0,0833	1,58 • 10 ⁻⁵
ft	0,3048	304,8	304800	12	1	1,89 • 10 ⁻⁴
mile	1609,3	1,61 • 10 ⁶	1,61 • 10 ⁹	63,35 • 10 ³	5279,94	1

PRESSURE

	Pa	Mpa	bar	Kgf / cm²	atm	psi
Pa (N/m²)	1	10 ⁻⁶	10 ⁻⁵	1,02 • 10 ⁻⁵	9,87 • 10 ⁻⁶	1,45 • 10 ⁻⁴
Mpa	10 ⁶	1	10	10,2	9,87	145,0377
bar	10 ⁵	0,1	1	1,02	0,987	14,5038
Kgf / cm²	9,81 • 10 ⁴	9,81 • 10 ⁻²	0,981	1	0,968	14,2233
atm	1,013 • 10 ⁵	0,1013	1,013	1,033	1	14,6923
psi	6894,76	0,006895	0,06894	0,0703	0,06806	1

SPEED

	m/s	m/min	km/h	ft/s	inches/s	mile/h
m/s	1	60	3,6	3,2808	39,37	2,2369
m/min	0,0167	1	0,06	0,0547	0,6562	0,03728
km/h	0,2778	16,6667	1	0,9113	10,9361	0,62137
ft/s	0,3048	18,2882	1,0973	1	12	0,68183
inches/s	0,0254	1,524	0,0914	0,0833	1	0,05682
mile/h	0,44704	26,8224	1,6093	1,4666	17,6	1

VISCOSITY

	Pa • s	P	cP	St	cSt	m²/s
Pa • s	1	10	1000			
P (poises)	0,1	1	100			
cP (centipoises)	10 ⁻³	0,01	1			
St (stokes)				1	100	10 ⁻⁴
cSt (centistokes)				0,01	1	10 ⁻⁶
m²/s				10 ⁴	10 ⁶	1

ENERGY

	Btu	cal	foot poundal	Wh	kWh	erg
Joule (Nm)	$9,47 \cdot 10^{-4}$	0,23866	23,7304	$2,778 \cdot 10^{-4}$	$2,778 \cdot 10^{-7}$	10^7

POWER

	ft lb / h	ft lb / min	HP (metr)	Btu/h	HP (eletr)	erg/s
Watt (Nm/s)	2655,224	44,25372	$1,36 \cdot 10^{-3}$	3,4121	$1,34 \cdot 10^{-3}$	10^7

FORCE

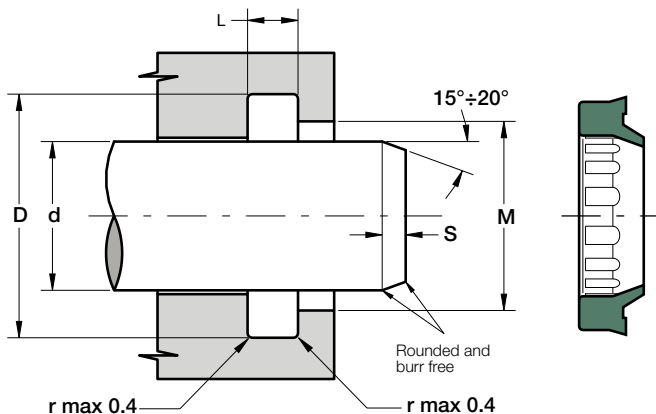
	N	Kg_f	Libbra_f
N (kg m/s²)	1	0,102	0,2248
Kg_f	9,81	1	2,2040
lb_f	4,4482	0,4537	1

TEMPERATURE

	°C	°F	°K
°C	1	$5/9 \cdot (°F-32)$	$°K - 273,15$
°F	$9/5 \cdot °C + 32$	1	$9/5 \cdot °K - 459,67$
°K	$°C + 273,15$	$5/9 \cdot °F + 255,37$	1

TOLERANCE CHART - ISO

Φ [mm]	Shafts [μm]								Bores [μm]							
	f7		f8		h8		h9		H8		H9		H10		H11	
1 ÷ 3	-6	-16	-6	-20	0	-14	0	-25	+14	0	+25	0	+40	0	+60	0
> 3 ÷ 6	-10	-22	-10	-28	0	-18	0	-30	+18	0	+30	0	+48	0	+75	0
> 6 ÷ 10	-13	-28	-13	-35	0	-22	0	-36	+22	0	+36	0	+58	0	+90	0
> 10 ÷ 18	-16	-34	-16	-43	0	-27	0	-43	+27	0	+43	0	+70	0	+110	0
> 18 ÷ 30	-20	-41	-20	-53	0	-33	0	-52	+33	0	+52	0	+84	0	+130	0
> 30 ÷ 50	-25	-50	-25	-64	0	-39	0	-62	+39	0	+62	0	+100	0	+160	0
> 50 ÷ 65	-30	-60	-30	-76	0	-46	0	-74	+46	0	+74	0	+120	0	+190	0
> 65 ÷ 80	-30	-60	-30	-76	0	-46	0	-74	+46	0	+74	0	+120	0	+190	0
> 80 ÷ 100	-36	-71	-36	-90	0	-54	0	-87	+54	0	+87	0	+140	0	+220	0
> 100 ÷ 120	-36	-71	-36	-90	0	-54	0	-87	+54	0	+87	0	+140	0	+220	0
> 120 ÷ 140	-43	-83	-43	-106	0	-63	0	-100	+63	0	+100	0	+160	0	+250	0
> 140 ÷ 160	-43	-83	-43	-106	0	-63	0	-100	+63	0	+100	0	+160	0	+250	0
> 160 ÷ 180	-43	-83	-43	-106	0	-63	0	-100	+63	0	+100	0	+160	0	+250	0
> 180 ÷ 200	-50	-96	-50	-122	0	-72	0	-115	+72	0	+115	0	+185	0	+290	0
> 200 ÷ 225	-50	-96	-50	-122	0	-72	0	-115	+72	0	+115	0	+185	0	+290	0
> 225 ÷ 250	-50	-96	-50	-122	0	-72	0	-115	+72	0	+115	0	+185	0	+290	0
> 250 ÷ 280	-56	-108	-56	-137	0	-81	0	-130	+81	0	+130	0	+210	0	+320	0
> 280 ÷ 315	-56	-108	-56	-137	0	-81	0	-130	+81	0	+130	0	+210	0	+320	0
> 315 ÷ 355	-62	-119	-62	-151	0	-89	0	-140	+89	0	+140	0	+230	0	+360	0
> 355 ÷ 400	-62	-119	-62	-151	0	-89	0	-140	+89	0	+140	0	+230	0	+360	0
> 400 ÷ 450	-68	-131	-68	-165	0	-97	0	-155	+97	0	+155	0	+250	0	+400	0
> 450 ÷ 500	-68	-131	-68	-165	0	-97	0	-155	+97	0	+155	0	+250	0	+400	0



DESCRIPTION

Rod wiper with external lip

MATERIAL

Type: Polyurethane
 Designation: SEALPUR 93
 Hardness: 93 °ShA

MAIN FEATURES

The function of the SA wiper ring is to prevent introduction of dust, dirt and foreign matter into the system.

This is achieved by a special wiper lip which produces a very effective cleaning action, prevents the development of scores, protects the guiding parts and extends the service life of the axial moving rod seals.

An external sealing lip on the outside diameter contacts the housing in order to prevent moisture entering the groove.

The internal ribs give stability and prevent twisting and sticking of the wiper in the groove.

The material used to produce this wiper is a polyurethane compound that ensures excellent properties in case of dry run, an increased wear-resistance and an extended service life due to good resistance against ozone and radiation caused by weather conditions.

- External sealing lip for a real housing protection
- Extended service life
- Low cost solution
- Excellent wear-resistance
- Space-saving construction
- No close tolerances are necessary
- Easy installation without expensive auxiliaries

FIELD OF APPLICATION

Speed	≤ 0.8 m/s
Temperature	-40°C ÷ +100°C
Fluids	Hydraulic oils (mineral oil based). <i>For other fluids contact our technical department</i>

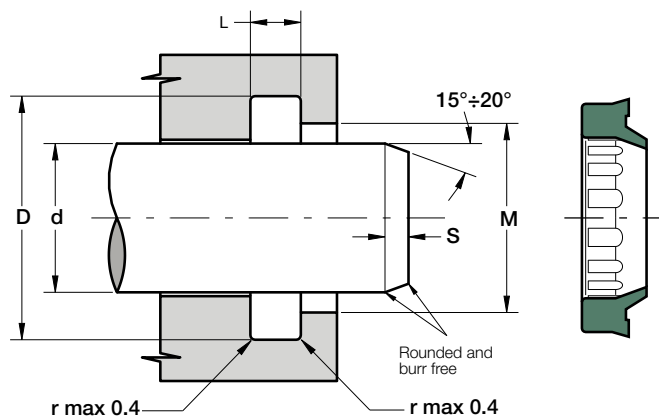
SURFACE ROUGHNESS

Dynamic surface	Suitable for rod seal system	
Static surface	Ra ≤ 1.6 µm	Rt ≤ 6.3 µm

LEAD-IN CHAMFERS

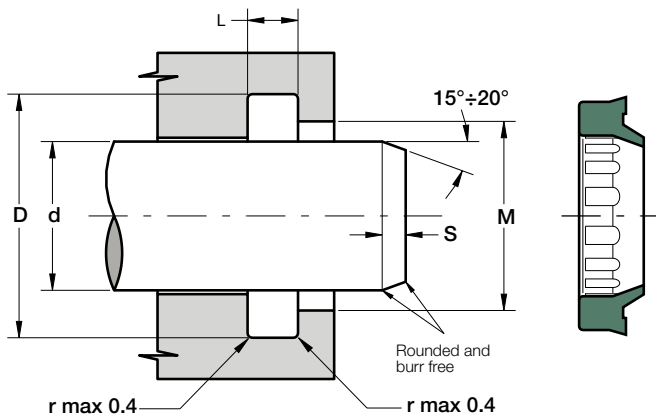
	d	S MIN
	• less 100	5 mm
	• 100÷200	7 mm
	• over 200	10 mm

- Any pressure loads on the back of the rings should be avoided
- Sharp edges and burrs within the installation area must be removed



Part.	d ^{f7}	D ^{H10}	L ^{+0.2}	M ^{+0.2}
SA 4	4	12.0	3.0	9.0
SA 5/S	5	12.0	2.8	9.0
SA 6/S	6	12.0	3.0	9.0
SA 8	8	14.6	3.8	11.0
SA 9/S	9	13.0	2.5	12.0
SA 10	10	16.6	3.8	13.8
SA 10/S	10	15.0	1.0	13.0
SA 12	12	18.6	3.8	15.0
SA 13	13	19.6	3.8	16.0
SA 14	14	20.6	3.8	17.0
SA 15	15	21.6	3.8	18.0
SA 16	16	22.6	3.8	19.0
SA 16/A	16	22.5	3.0	19.0
SA 17	17	23.6	3.8	20.0
SA 18	18	24.6	3.8	21.0
SA 20	20	28.6	5.3	23.0
SA 20/A	20	26.0	3.4	23.0
SA 22	22	30.6	5.3	25.0
SA 22/A2	22	30.6	2.2	25.0
SA 24	24	32.6	5.3	27.0
SA 24/A2	24	32.6	2.2	27.0
SA 25	25	33.6	5.3	28.0
SA 25/H	25	32.5	1.6	27.9
SA 28	28	36.6	5.3	31.0
SA 30	30	38.6	5.3	33.0

Part.	d ^{f7}	D ^{H10}	L ^{+0.2}	M ^{+0.2}
SA 30/A2	30	40.0	3.0	34.5
SA 32	32	40.6	5.3	35.0
SA 32/H	32	32.5	1.6	34.9
SA 35	35	43.6	5.3	38.0
SA 35/A	35	43.6	5.0	38.0
SA 35/A2	35	45.0	4.0	39.0
SA 36	36	44.6	5.3	39.0
SA 38	38	46.6	5.3	41.0
SA 40	40	48.6	5.3	43.0
SA 40/H	40	47.5	1.6	42.9
SA 42	42	50.6	5.3	45.0
SA 45	45	53.6	5.3	48.0
SA 45/A	45	55.6	5.3	48.0
SA 45/A2	45	60.0	4.2	53.0
SA 48	48	56.6	5.3	51.0
SA 50	50	58.6	5.3	53.0
SA 50/A	50	60.6	5.3	53.0
SA 50/A2	50	65.5	4.2	58.0
SA 55	55	63.6	5.3	58.0
SA 55/A	55	65.6	5.3	58.0
SA 56	56	64.6	5.3	59.0
SA 56/A	56	66.6	5.3	59.0
SA 60	60	68.6	5.3	63.0
SA 60/A	60	70.6	5.3	63.0
SA 60/S	60	70.6	5.5	66.0
SA 63	63	71.6	5.3	66.0
SA 63/A	63	73.6	5.3	66.0
SA 65	65	73.6	5.3	68.0
SA 65/A	65	75.6	5.3	68.0
SA 70	70	78.6	5.3	73.0
SA 70/A	70	82.6	7.1	76.0
SA 70/B	70	80.6	5.3	73.0
SA 73/A	73	83.6	7.3	76.0
SA 75	75	83.6	5.3	78.0
SA 75/A	75	87.2	7.1	81.0
SA 78/A	78	90.0	7.5	83.0
SA 78/S	78	88.6	5.5	84.0
SA 80	80	88.6	5.3	83.0
SA 80/A	80	92.6	7.1	86.0
SA 85	85	97.2	7.1	91.0

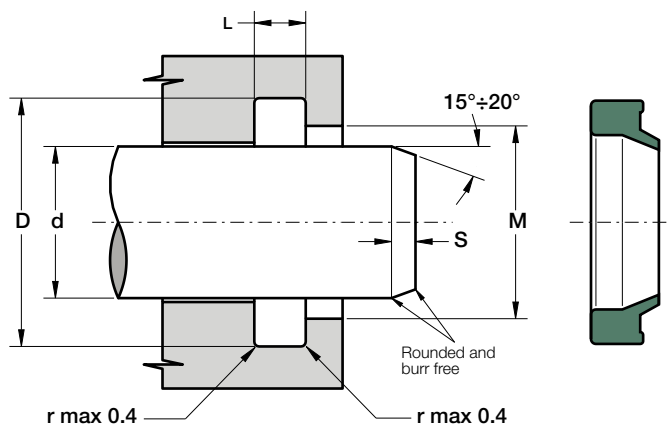


Part.	d ^{f7}	D ^{H10}	L ^{+0.2}	M ^{+0.2}
SA 85/A	85	93.6	5.3	88.0
SA 90	90	102.2	7.1	96.0
SA 90/C	90	98.2	5.3	93.0
SA 90/D	90	98.6	5.3	93.0
SA 95	95	107.2	7.1	101.0
SA 99/S	99	109.6	5.5	105.0
SA 100	100	112.2	7.1	106.0
SA 105	105	117.2	7.1	111.0
SA 105/A	105	113.6	5.3	108.0
SA 110	110	122.2	7.1	116.0
SA 115	115	127.2	7.1	121.0
SA 115/B	115	123.2	5.3	118.0
SA 120	120	132.2	7.1	126.0
SA 120/A	120	128.6	5.3	123.0
SA 120/S	120	130.6	5.5	126.0
SA 125	125	137.2	7.1	131.0
SA 125/A	125	140.2	10.1	132.6
SA 130	130	142.2	7.1	136.0
SA 135	135	147.2	7.1	141.0
SA 140	140	152.2	7.1	146.0
SA 140/A	140	148.6	5.3	143.0
SA 141/S	141	151.6	5.5	147.0
SA 145	145	157.2	7.1	151.0
SA 150	150	162.2	7.1	156.0
SA 150/B	150	158.2	5.3	153.0

Part.	d ^{f7}	D ^{H10}	L ^{+0.2}	M ^{+0.2}
SA 160	160	175.2	10.1	168.0
SA 162/S	162	172.6	5.5	168.0
SA 170	170	185.2	10.1	178.0
SA 180	180	195.2	10.1	188.0
SA 183/S	183	193.6	5.5	189.0
SA 190	190	205.2	10.1	198.0
SA 190/A	190	210.0	10.1	200.0
SA 200	200	215.2	10.1	208.0
SA 207/S	207	217.6	5.5	213.0
SA 210	210	225.2	10.1	218.0
SA 220	220	235.2	10.1	228.0
SA 230	230	245.2	10.1	238.0
SA 240	240	255.2	10.1	248.0
SA 250	250	265.2	10.1	258.0

Inch sizes

SA 1500 1875	38.1	47.6	4.75	42.1
--------------	------	------	------	------



DESCRIPTION

Rod wiper

MATERIAL

Type: Polyurethane
 Designation: SEALPUR 93
 Hardness: 93 °ShA

MAIN FEATURES

The function of the SAF wiper ring is to prevent introduction of dust, dirt and foreign matter into the system.

This is achieved by a special wiper lip which produces a very effective cleaning action, prevents the development of scores, protects the guiding parts and extends the service life of the axial moving rod seals.

The material used to produce this wiper is a polyurethane compound that ensures excellent properties in case of dry run, an increased wear-resistance and an extended service life due to good resistance against ozone and radiation caused by weather conditions.

- Extended service life
- Low cost solution
- Excellent wear-resistance
- Space-saving construction
- No close tolerances are necessary
- Easy installation without expensive auxiliaries

FIELD OF APPLICATION

Speed	≤ 0.8 m/s
Temperature	-40°C ÷ +100°C
Fluids	Hydraulic oils (mineral oil based). <i>For other fluids contact our technical department</i>

SURFACE ROUGHNESS

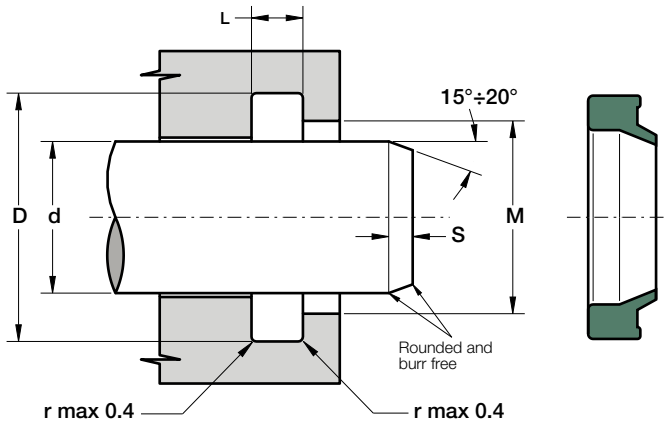
Dynamic surface	Suitable for rod seal system	
Static surface	Ra ≤ 1.6 µm	Rt ≤ 6.3 µm

LEAD-IN CHAMFERS

d	S MIN
• less 100	5 mm
• 100÷200	7 mm
• over 200	10 mm

- Any pressure loads on the back of the rings should be avoided
- Sharp edges and burrs within the installation area must be removed

Part.	d ^{f7}	D ^{H10}	L ^{+0.2}	M ^{+0.2}
SAF 8	8	14.6	3.8	11.0
SAF 12/A	12	17.0	2.9	15.0
SAF 15	15	21.6	3.8	18.0
SAF 16	16	22.6	3.8	19.0
SAF 16/C	16	25.0	4.5	19.0
SAF 16/D	16	21.0	3.8	19.0
SAF 18	18	24.6	3.8	21.0
SAF 20	20	28.6	5.3	23.0
SAF 20/B	20	29.0	3.5	23.0
SAF 20/T	20	28.6	5.2	23.0
SAF 22/T	22	30.6	5.2	25.0
SAF 25	25	33.6	5.3	28.0
SAF 25/A	25	34.2	4.5	28.2
SAF 25/S	25	33.6	5.0	28.0
SAF 25/T	25	33.6	5.2	28.0
SAF 28	28	36.6	5.3	31.0
SAF 28/A	28	33.6	3.2	30.6
SAF 28/T	28	36.6	5.2	31.0
SAF 30	30	38.6	5.3	33.0
SAF 30/B	30	42.0	3.2	34.4
SAF 30/C	30	39.2	4.5	33.2
SAF 30/T	30	38.6	5.2	33.0

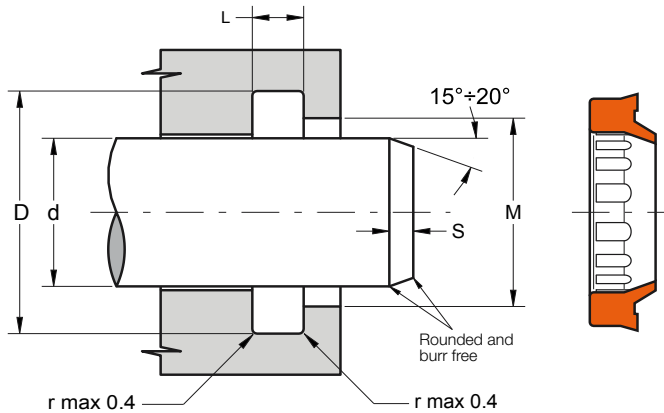


Part.	d ^{f7}	D ^{H10}	L ^{+0.2}	M ^{+0.2}
SAF 32	32	40.6	5.3	35.0
SAF 32/T	32	40.6	5.2	35.0
SAF 35	35	43.6	5.3	38.0
SAF 35/B	35	43.9	6.3	38.0
SAF 35/T	35	43.6	5.2	38.0
SAF 36	36	44.6	5.3	39.0
SAF 38/T	38	46.6	5.2	41.0
SAF 40	40	48.6	5.3	43.0
SAF 40/A	40	52.0	3.2	45.0
SAF 40/T	40	48.6	5.2	43.0
SAF 42	42	50.6	5.3	45.0
SAF 45	45	53.6	5.3	48.0
SAF 45/A/T	45	55.6	5.2	48.0
SAF 45/B	45	56.0	3.5	50.0
SAF 48/A/T	48	60.6	5.2	54.0
SAF 50	50	58.6	5.3	53.0
SAF 50/A/T	50	60.6	5.2	53.0
SAF 50/B	50	58.6	6.3	53.0
SAF 55	55	63.6	5.3	58.0
SAF 55/A/T	55	65.6	5.2	58.0
SAF 55/B	55	63.6	4.3	58.0
SAF 60	60	68.6	5.3	63.0
SAF 60/A/T	60	70.6	5.2	63.0
SAF 63/B	63	73.0	6.3	70.0

Part.	d ^{f7}	D ^{H10}	L ^{+0.2}	M ^{+0.2}
SAF 65	65	73.6	5.3	68.0
SAF 65/A/T	65	75.6	5.2	68.0
SAF 65/B	65	72.6	2.3	68.0
SAF 65/C	65	77.0	3.2	70.0
SAF 65/D	65	77.6	7.3	70.0
SAF 70/B/T	70	80.6	5.2	73.0
SAF 70/C	70	78.6	6.3	73.0
SAF 75/T	75	83.6	5.2	78.0
SAF 97/A/T	97	105.6	5.2	100.0
SAF 110	110	122.2	7.1	116.0
SAF 111/A	111	126.0	6.8	118.0
SAF 124/A	124	139.0	6.8	131.0
SAF 135/A	135	150.0	9.5	145.0
SAF 140/B	140	155.0	6.8	147.0
SAF 142/A	142	151.6	5.3	146.0
SAF 142/B	142	153.6	6.3	147.0
SAF 145/B	145	160.0	9.5	155.0
SAF 150/C	150	165.0	9.5	160.0
SAF 155/A	155	170.0	6.8	162.0
SAF 160/A	160	175.0	9.5	170.0
SAF 170/A	170	185.0	6.8	177.0
SAF 186/A	186	201.0	6.8	193.0
SAF 200/A	200	215.0	9.5	210.0
SAF 216/A	216	231.0	6.8	223.0

Inch sizes

SAF 1000	25.4	33.02	4.1	28.4
SAF 3000	76.2	88.9	6.3	83.9
SAF 6500	165.1	190.5	12.7	182.9
SAF 7000	177.8	203.2	12.7	195.6



DESCRIPTION

Rod wiper with external lip for heavy applications

MATERIAL

Type: Thermoplastic polyester resin
 Designation: SEALITE 55
 Hardness: 55 °ShD

MAIN FEATURES

The function of the SAP wiper ring is to prevent introduction of dust, dirt, foreign matter and heavily deposited ice and mud into the system.

This is achieved by a special wiper lip which produces a very effective cleaning action, prevents the development of scores, protects the guiding parts and extends the service life of the axial moving rod seals.

An external sealing lip on the outside diameter contacts the housing in order to prevent moisture entering the groove.

The internal ribs give stability, back pumping ability and prevent sticking of the wiper in the groove.

The material used to produce this wiper is a special polyester resin that ensures excellent properties in case of heavy applications, an increased wear-resistance and an extended service life.

- External sealing lip for a real housing protection
- Suitable for heavy applications
- Back pumping ability
- Extended service life
- Low cost solution
- Excellent wear-resistance
- Space-saving construction
- Easy installation without expensive auxiliaries

FIELD OF APPLICATION

Speed	≤ 4 m/s
Temperature	-40°C ÷ +140°C
Fluids	Hydraulic oils (mineral oil based). For other fluids contact our technical department

SURFACE ROUGHNESS

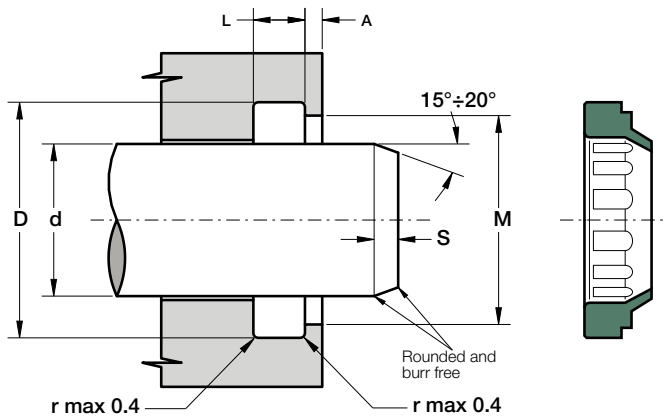
Dynamic surface	Suitable for rod seal system	
Static surface	Ra ≤ 1.6 µm	Rt ≤ 6.3 µm

LEAD-IN CHAMFERS

d	S MIN
• less 100	5 mm
• 100÷200	7 mm
• over 200	10 mm

- Any pressure loads on the back of the rings should be avoided
- Sharp edges and burrs within the installation area must be removed

Part.	d ^{IT7}	D ^{H10}	L ^{+0.2}	M ^{+0.2}
SAP 20 28 5	20	28.0	5.0	25.5
SAP 22 30 5	22	30.0	5.0	27.5
SAP 25 33 5	25	33.0	5.0	30.5
SAP 28 36 5	28	36.0	5.0	33.5
SAP 30 38 5	30	38.0	5.0	35.5
SAP 32 40 5	32	40.0	5.0	37.5
SAP 35 43 5	35	43.0	5.0	40.5
SAP 36 44 5	36	44.0	5.0	41.5
SAP 40 48 5	40	48.0	5.0	45.5
SAP 45 53 5	45	53.0	5.0	50.5
SAP 50 58 5	50	58.0	5.0	55.5
SAP 50 60.6 5.3	50	60.6	5.3	53.0
SAP 55 65 5.3	55	65.0	5.3	61.0
SAP 55 65 6.3	55	65.0	6.3	61.0
SAP 56 66 6.3	56	66.0	6.3	63.0
SAP 60 70 5.3	60	70.0	5.3	66.0
SAP 60 70 6.3	60	70.0	6.3	67.0
SAP 70 78 5	70	78.0	5.0	75.5
SAP 70 80 6.3	70	80.0	6.3	77.0
SAP 70 80.6 5.3	70	80.6	5.3	73.0
SAP 80 90 6.3	80	90.0	6.3	87.0
SAP 90 100 6.3	90	100.0	6.3	97.0
SAP 90 102.2 7.1	90	102.2	7.1	96.0
SAP 100 110.6 5.3	100	110.6	5.3	104.0
SAP 100 112.2 7.1	100	112.2	7.1	106.0
SAP 100 115 9.5	100	115.0	9.5	110.0



DESCRIPTION

Rod wiper with shoulder

MATERIAL

Type: Polyurethane
 Designation: SEALPUR 93
 Hardness: 93 °ShA

MAIN FEATURES

The function of the SAG wiper ring is to prevent introduction of dust, dirt and foreign matter into the system.

This is achieved by a special wiper lip which produces a very effective cleaning action, prevents the development of scores, protects the guiding parts and extends the service life of the axial moving rod seals.

A flush fitting with the outside diameter reduces moisture entering the groove.

The internal ribs give stability and prevent twisting and sticking of the wiper in the groove.

The material used to produce this wiper is a polyurethane compound that ensures excellent properties in case of dry run, an increased wear-resistance and an extended service life due to good resistance against ozone and radiation caused by weather conditions.

- Extended service life
- External flush fitting for a good housing protection
- Low cost solution
- Excellent wear-resistance
- Space-saving construction
- No close tolerances are necessary
- Easy installation without expensive auxiliaries

FIELD OF APPLICATION

Speed	≤ 0.8 m/s
Temperature	-40°C ÷ +100°C
Fluids	Hydraulic oils (mineral oil based). <i>For other fluids contact our technical department</i>

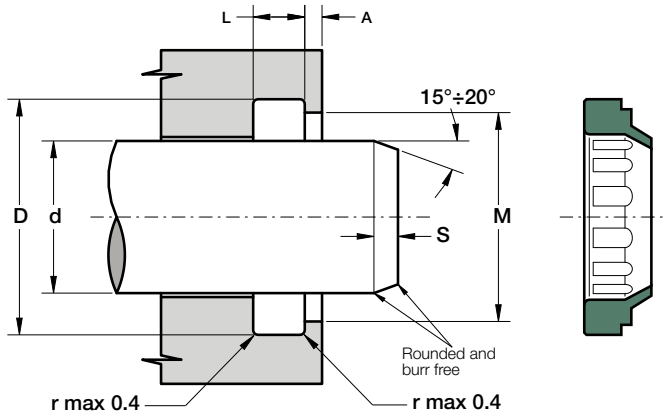
SURFACE ROUGHNESS

Dynamic surface	Suitable for rod seal system	
Static surface	Ra ≤ 1.6 µm	Rt ≤ 6.3 µm

LEAD-IN CHAMFERS

d	S MIN
• less 100	5 mm
• 100÷200	7 mm
• over 200	10 mm

- Any pressure loads on the back of the rings should be avoided
- Sharp edges and burrs within the installation area must be removed

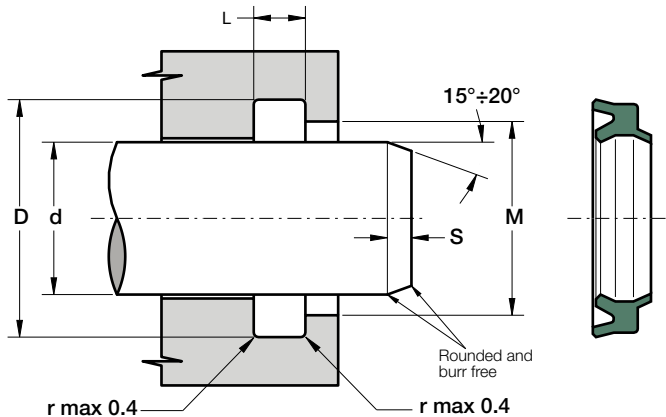


Part.	d ^{f7}	D ^{±0.1}	L ^{+0.15}	M ^{H11}	A ^{±0.1}
SAG 6	6	10	2	9	1
SAG 7	7	11	2	10	1
SAG 10/A	10	16	2.6	14	1
SAG 14/A	14	20	2.6	18	1
SAG 16	16	24	4	22	1
SAG 16/A	16	20.7	3.7	19	0.8
SAG 16/B	16	20.7	2.2	19	0.8
SAG 18	18	26	4	24	1
SAG 20	20	28	4	26	1
SAG 22	22	30	4	28	1
SAG 24	24	32	4	30	1
SAG 25	25	33	4	31	1
SAG 25/A	25	33.6	5.5	31.4	4
SAG 28	28	36	4	34	1
SAG 30	30	38	4	36	1
SAG 30/A	30	36	4	34	1
SAG 32	32	40	4	38	1
SAG 35	35	43	4	41	1
SAG 36	36	44	4	42	1
SAG 38	38	46	4	44	1
SAG 40	40	48	4	46	1
SAG 42	42	50	4	48	1
SAG 45	45	53	4	51	1
SAG 50	50	58	4	56	1
SAG 54	54	62	4	60	1

Part.	d ^{f7}	D ^{±0.1}	L ^{+0.15}	M ^{H11}	A ^{±0.1}
SAG 55	55	63	4	61	1
SAG 56	56	64	4	62	1
SAG 60	60	68	4	66	1
SAG 63	63	71	4	69	1
SAG 65	65	73	4	71	1
SAG 70	70	78	4	76	1
SAG 75	75	83	4	81	1
SAG 80	80	88	4	86	1
SAG 85	85	93	4	91	1
SAG 90	90	98	4	96	1
SAG 90/A	90	100	5.5	96	2
SAG 100	100	108	4	106	1
SAG 100/A	100	108	6	103.5	2
SAG 110	110	122	5.5	119	1.5
SAG 110/A	110	120	5.5	116	2
SAG 120/A	120	132	8.2	125	2.5
SAG 132/A	132	142	5.5	138	2
SAG 140/A	140	152	8.2	145	2.5
SAG 152/A	152	162	5.5	158	2
SAG 172/A	172	182	5.5	178	2
SAG 194/A	194	204	5.5	200	2

Inch sizes

SAG 3000	76.2	86.2	3.1	82.5	1.9
-----------------	------	------	-----	------	-----



DESCRIPTION

Rod bi-directional wiper

MATERIAL

Type: Polyurethane
 Designation: SEALPUR 93
 Hardness: 93 °ShA

MAIN FEATURES

The functions of the SAB bi-directional rod wiper are:

- to prevent introduction of dust, dirt and foreign matter into the system; this is achieved by a special wiper lip which produces a very effective cleaning action, prevents the development of scores, protects the guiding parts and extends the service life of the axial moving rod seals.
- to retain residual oil film on the rod; the asymmetric lips are designed to differentiate the behaviour of the lips on the static and dynamic surfaces: the static lips are flexible and more sensitive to pressure fluctuations; the dynamic lip is shorter and stronger to concentrate load against the dynamic surface.

The material used to produce this wiper is a polyurethane compound that ensures excellent properties in case of dry run, an increased wear-resistance and an extended service life due to good resistance against ozone and radiation caused by weather conditions.

- Retaining residual oil film
- Extended service life
- Insensitive to structural deflections
- Excellent wear-resistance
- Space-saving construction
- No close tolerances are necessary
- Easy installation without expensive auxiliaries

FIELD OF APPLICATION

Pressure	≤ 15 bar
Speed	≤ 0.8 m/s
Temperature	-40°C ÷ +100°C
Fluids	Hydraulic oils (mineral oil based). <i>For other fluids contact our technical department</i>

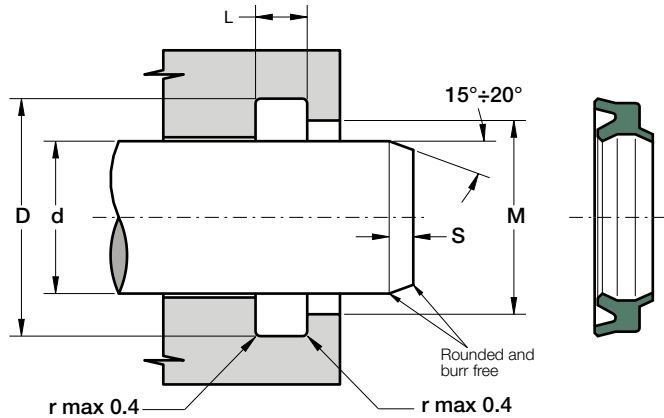
SURFACE ROUGHNESS

Dynamic surface	Ra ≤ 0.3 µm	Rt ≤ 2.5 µm
Static surface	Ra ≤ 1.6 µm	Rt ≤ 6.3 µm

LEAD-IN CHAMFERS

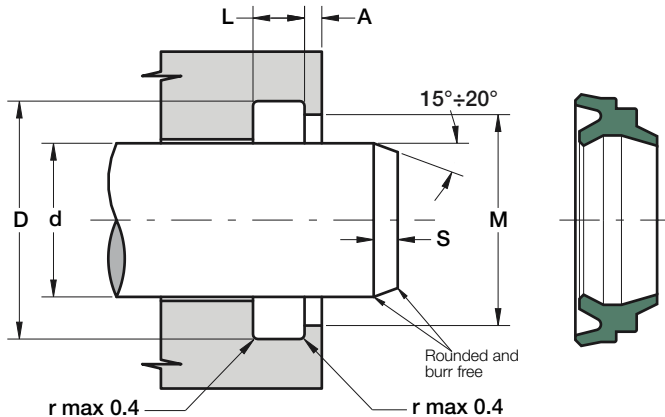
d	S _{MIN}
• less 100	5 mm
• 100÷200	7 mm
• over 200	10 mm

- To avoid damaging the sealing lips during installation, housing must have rounded chamfers. Sharp edges and burrs within the installation area of the seal must be removed



Part.	d ^{f7}	D ^{H10}	L ^{+0.2}	M ^{+0.2}
SAB 10 20 6	10	20.0	6.5	14.0
SAB 12	12	18.6	3.8	15.0
SAB 12 26 6.6	12	26.0	7.0	15.0
SAB 14/ISO	14	20.0	4.0	16.5
SAB 18	18	24.6	3.8	21.0
SAB 20	20	28.6	5.3	23.0
SAB 22	22	30.6	5.3	25.0
SAB 22/ISO	22	28.0	4.0	24.5
SAB 25	25	33.6	5.3	28.0
SAB 28	28	36.6	5.3	31.0
SAB 28/ISO	28	36.0	5.0	31.0
SAB 30	30	38.6	5.3	33.0
SAB 30/A	30	38.0	5.0	33.0
SAB 32	32	40.6	5.3	35.0
SAB 35	35	43.6	5.3	38.0
SAB 36	36	44.6	5.3	39.0
SAB 36/ISO	36	44.0	5.0	39.0
SAB 38	38	46.6	5.3	41.0
SAB 40	40	48.6	5.3	43.0
SAB 40/ISO	40	48.0	5.0	43.0
SAB 42	42	50.6	5.3	45.0
SAB 45	45	53.6	5.3	48.0
SAB 45/ISO	45	53.0	5.0	48.0
SAB 50	50	58.6	5.3	53.0
SAB 50/A	50	58.0	4.0	53.0

Part.	d ^{f7}	D ^{H10}	L ^{+0.2}	M ^{+0.2}
SAB 50/ISO	50	58.0	5.0	53.0
SAB 55	55	63.6	5.3	58.0
SAB 55/A	55	65.0	6.0	58.0
SAB 60	60	68.6	5.3	63.0
SAB 63	63	71.6	5.3	66.0
SAB 63/ISO	63	73.0	6.0	66.0
SAB 65	65	73.6	5.3	68.0
SAB 70	70	78.6	5.3	73.0
SAB 75	75	83.6	5.3	78.0
SAB 78/A	78	88.2	7.1	84.0
SAB 80	80	88.6	5.3	83.0
SAB 82/A	82	94.2	7.1	88.0
SAB 85	85	97.2	7.1	91.0
SAB 90	90	102.2	7.1	96.0
SAB 100	100	112.2	7.1	106.0
SAB 104	104	116.2	7.1	110.0
SAB 110	110	122.2	7.1	116.0
SAB 129	129	141.2	7.1	135.0
SAB 154	154	166.2	7.1	160.0
SAB 180	180	192.2	7.1	186.0



DESCRIPTION

Rod bi-directional wiper with shoulder

MATERIAL

Type: Polyurethane
 Designation: SEALPUR 93
 Hardness: 93 °ShA

MAIN FEATURES

The functions of the SAD bi-directional rod wiper are:

- to prevent introduction of dust, dirt and foreign matter into the system; this is achieved by a special wiper lip which produces a very effective cleaning action, prevents the development of scores, protects the guiding parts and extends the service life of the axial moving rod seals.
 - to retain residual oil film on the rod; the asymmetric lips are designed to differentiate the behaviour of the lips on the static and dynamic surfaces: the static lips are flexible and more sensitive to pressure fluctuations; the dynamic lip is shorter and stronger to concentrate load against the dynamic surface.
- This wiper is preferably used in conjunction with a rod seal with a hydrodynamic back-pumping function (i.e. XB).
 We recommend in any case a pressure release hold be provided in front of the double wiper in order to avoid pressure build-up between seal and wiper.
 The material used to produce this wiper is a polyurethane compound that ensures excellent properties in case of dry run, an increased wear-resistance and an extended service life due to good resistance against ozone and radiation caused by weather conditions.

- Retaining residual oil film
- External flush fitting for a good housing protection
- Extended service life
- Insensitive to structural deflections
- Excellent wear-resistance
- Space-saving construction
- No close tolerances are necessary
- Easy installation without expensive auxiliaries

FIELD OF APPLICATION

Speed	≤ 0.8 m/s
Temperature	-40°C ÷ +100°C
Fluids	Hydraulic oils (mineral oil based). <i>For other fluids contact our technical department</i>

SURFACE ROUGHNESS

Dynamic surface	Ra ≤ 0.3 µm	Rt ≤ 2.5 µm
Static surface	Ra ≤ 1.6 µm	Rt ≤ 6.3 µm

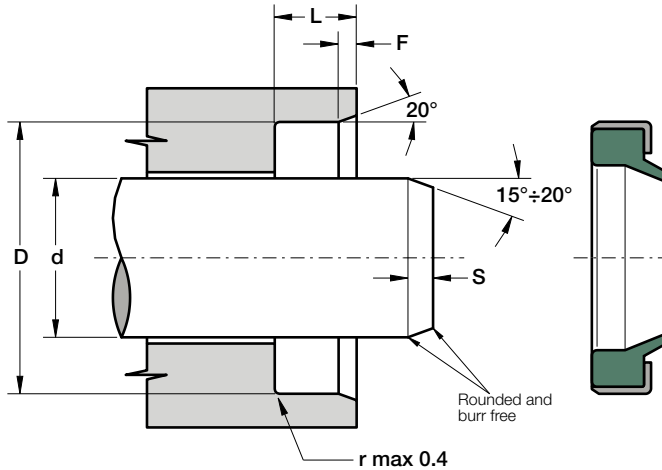
LEAD-IN CHAMFERS

d	S _{MIN}
• less 100	5 mm
• 100÷200	7 mm
• over 200	10 mm

- Any pressure loads on the back of the rings should be avoided
- Sharp edges and burrs within the installation area must be removed

Part.	d ^{F7}	D ^{H10}	L ^{+0.15}	M ^{H11}	A ^{±0.1}
SAD 20	20	28	4	26	2
SAD 25	25	33	4	31	2
SAD 30	30	38	4	36	2
SAD 35	35	43	4	41	2
SAD 40	40	48	4	46	2
SAD 45	45	53	4	51	2
SAD 50	50	58	4	56	2
SAD 60	60	68	4	66	2
SAD 70	70	78	4	76	2
SAD 80	80	88	4	86	2
SAD 90	90	98	4	96	2
SAD 100	100	108	4	106	2

SAF/GM ROD WIPER WITH METAL CAGE



DESCRIPTION

Rod wiper with metal cage for open groove assembly

MATERIAL OF WIPER

Type: Polyurethane
 Designation: SEALPUR 93
 Hardness: 93 °ShA

MATERIAL OF METAL CAGE

Type: Not alloyed steel

MAIN FEATURES

The function of the SAF/GM wiper ring is to prevent introduction of dust, dirt and foreign matter into the system. This is achieved by a special wiper lip which produces a very effective cleaning action, prevents the development of scores, protects the guiding parts and extends the service life of the axial moving rod seals.

A flush fitting with the outside diameter of the metal cage prevents moisture from entering the groove.

The material used to produce the wiper element is a polyurethane compound that ensures excellent properties in case of dry run, an increased wear-resistance and an extended service life due to good resistance against ozone and radiation caused by weather conditions.

- Easy construction housing
- Tight fit in the groove
- Extended service life
- Low cost solution
- Excellent wear-resistance
- Space-saving construction

FIELD OF APPLICATION

Speed	≤ 0.8 m/s
Temperature	-40°C ÷ +100°C
Fluids	Hydraulic oils (mineral oil based). <i>For other fluids contact our technical department</i>

SURFACE ROUGHNESS

Dynamic surface	Suitable for rod seal system	
Static surface	Ra ≤ 1.6 µm	Rt ≤ 6.3 µm

LEAD-IN CHAMFERS

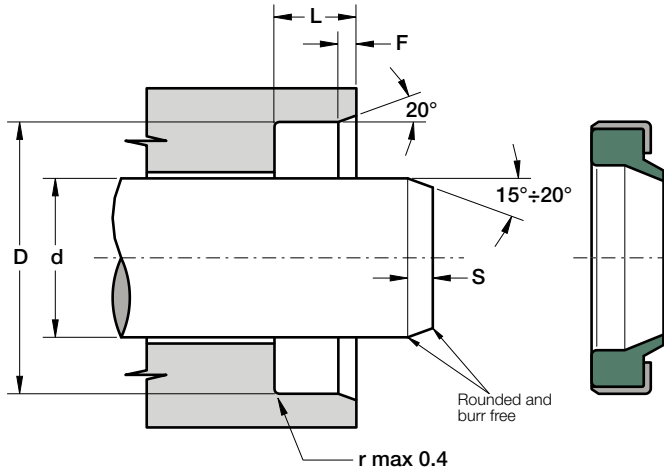
d **S_{MIN}**

- | | |
|------------|-------|
| • less 100 | 5 mm |
| • 100÷200 | 7 mm |
| • over 200 | 10 mm |

- Pay attention to the groove "D" diameter because, if larger, the wiper could be ejected during work
- Any pressure loads on the back of the rings should be avoided
- Sharp edges and burrs within the installation area must be removed

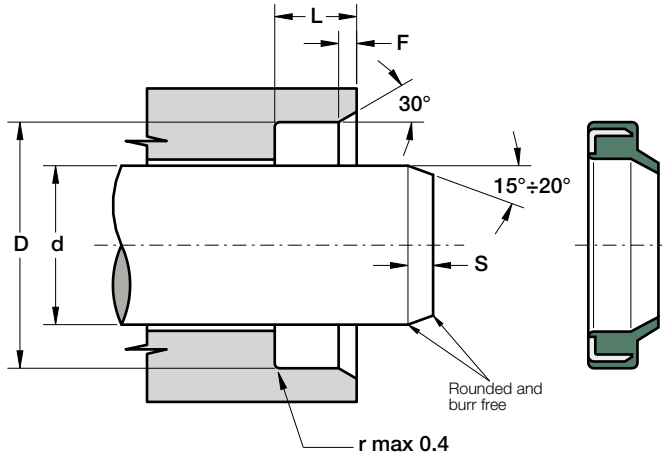
SAF/GM

ROD WIPER
WITH METAL CAGE



Part.	d ^{f7}	D ^{H8}	L ^{+0.2}	F
SAF 15 23 4.5 /GM	15	23	4.5	0.5
SAF 16 22 4.5/GM	16	22	4.5	0.5
SAF 16 24 4.5 /GM	16	24	4.5	0.5
SAF 16 26 5 /GM	16	26	5.0	0.5
SAF 18 26 4.5 /GM	18	26	4.5	0.5
SAF 20 30 4 /GM	20	30	4.0	0.8
SAF 20 30 6 /GM	20	30	6.0	0.8
SAF 25 35 6 /GM	25	35	6.0	0.8
SAF 28 38 6 /GM	28	38	6.0	0.8
SAF 30 40 5/GM	30	40	5.0	0.8
SAF 30 40 6 /GM	30	40	6.0	0.8
SAF 32 42 6 /GM	32	42	6.0	0.8
SAF 35 45 6 /GM	35	45	6.0	0.8
SAF 36 46 6 /GM	36	46	6.0	0.8
SAF 40 50 6 /GM	40	50	6.0	0.8
SAF 42 52 6 /GM	42	52	6.0	0.8
SAF 45 55 6 /GM	45	55	6.0	0.8
SAF 50 60 6 /GM	50	60	6.0	0.8
SAF 50 60 7/GM	50	60	7.0	0.8
SAF 55 65 5/GM	55	65	5.0	0.8
SAF 55 65 6 /GM	55	65	6.0	0.8
SAF 60 70 6 /GM	60	70	6.0	0.8
SAF 65 75 6 /GM	65	75	6.0	0.8
SAF 65 79 8/GM	65	79	8.0	0.8
SAF 70 80 7/GM	70	80	7.0	0.8

Part.	d ^{f7}	D ^{H8}	L ^{+0.2}	F
Inch sizes				
SAF 1000 1375 0187/GM	25.4	34.93	4.75	0.8



DESCRIPTION

Rod wiper with internal metal cage for open groove assembly

MATERIAL OF WIPER

Type: Nitril Rubber NBR
Designation: RUBSEAL 90
Hardness: 90 °ShA

MATERIAL OF METAL CAGE

Type: Not alloyed steel

MAIN FEATURES

The function of the SMI wiper ring is to prevent introduction of dust, dirt and foreign matter into the system. This is achieved by a special wiper lip which produces a very effective cleaning action, prevents the development of scores, protects the guiding parts and extends the service life of the axial moving rod seals.

A flush fitting with the outside diameter of the metal cage prevents moisture from entering the groove.

The material used to produce the wiper element is a nitril rubber with hardness 90 °ShA that ensures a good wear-resistance in case of dry run and an extended service life.

- Easy construction housing
- Tight fit in the groove
- High speed allowed
- Good wear-resistance
- Extended service life
- Low cost solution
- Space-saving construction

FIELD OF APPLICATION

Speed	≤ 2 m/s
Temperature	-30°C ÷ +100°C
Fluids	Hydraulic oils (mineral oil based). <i>For other fluids contact our technical department</i>

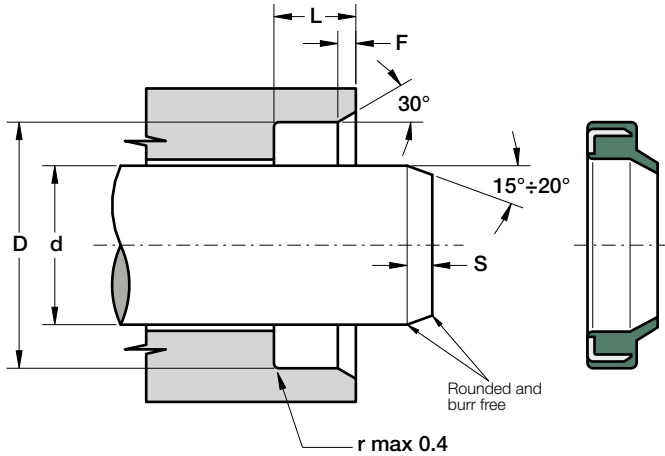
SURFACE ROUGHNESS

Dynamic surface	Suitable for rod seal system	
Static surface	Ra ≤ 1.6 µm	Rt ≤ 6.3 µm

LEAD-IN CHAMFERS

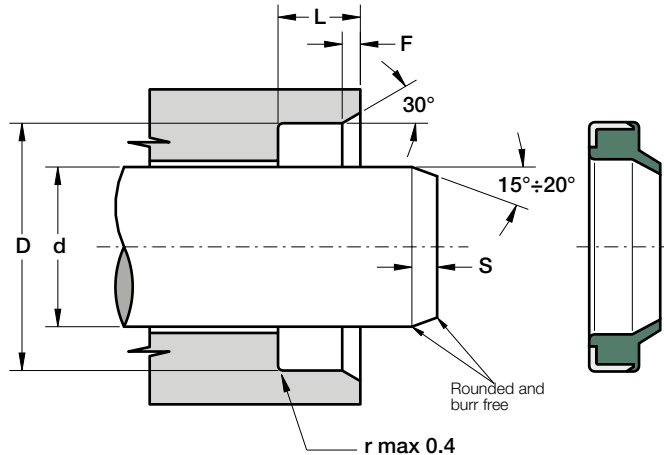
d	S _{MIN}
• less 100	5 mm
• 100÷200	7 mm
• over 200	10 mm

- Pay attention to the groove "D" diameter because, if larger, the wiper could be ejected during work
- Sharp edges and burrs within the installation area must be removed



Part.	d ^{f7}	D ^{H8}	L ^{+0.2}	F
SMI 6 13 3.5	6	13	3.5	0.5
SMI 8 14 3.5	8	14	3.5	0.6
SMI 10 16 3.5	10	16	3.5	0.6
SMI 12 18 3.5	12	18	3.5	0.6
SMI 14 20 3.5	14	20	3.5	0.6
SMI 15 21 3.5	15	21	3.5	0.6
SMI 15 25 5	15	25	5.0	1.0
SMI 16 22 3.5	16	22	3.5	0.5
SMI 16 26 5	16	26	5.0	1.0
SMI 18 24 4	18	24	4.0	0.8
SMI 18 28 5	18	28	5.0	1.0
SMI 20 30 5	20	30	5.0	1.0
SMI 20 30 7	20	30	7.0	1.5
SMI 22 32 5	22	32	5.0	1.0
SMI 22 32 7	22	32	7.0	1.5
SMI 25 35 5	25	35	5.0	1.0
SMI 25 35 7	25	35	7.0	1.5
SMI 26 35 7	26	35	7.0	1.5
SMI 28 38 5	28	38	5.0	1.0
SMI 30 40 5	30	40	5.0	1.0
SMI 30 40 7	30	40	7.0	1.5
SMI 32 42 5	32	42	5.0	1.0
SMI 35 45 7	35	45	7.0	1.5
SMI 36 45 7	36	45	7.0	1.5

Part.	d ^{f7}	D ^{H8}	L ^{+0.2}	F
SMI 36 46 5	36	46	5.0	1.0
SMI 38 48 7	38	48	7.0	1.5
SMI 40 50 5	40	50	5.0	1.0
SMI 40 50 7	40	50	7.0	1.5
SMI 45 55 5	45	55	5.0	1.0
SMI 45 55 7	45	55	7.0	1.5
SMI 50 60 5	50	60	5.0	1.0
SMI 50 60 7	50	60	7.0	1.5
SMI 55 65 5	55	65	5.0	1.0
SMI 55 65 7	55	65	7.0	1.5
SMI 60 70 5	60	70	5.0	1.0
SMI 60 70 7	60	70	7.0	1.5
SMI 65 75 5	65	75	5.0	1.0
SMI 65 75 7	65	75	7.0	1.5
SMI 70 80 5	70	80	5.0	1.0
SMI 70 80 7	70	80	7.0	1.5
SMI 75 83 7	75	83	7.0	1.5
SMI 75 85 7	75	85	7.0	1.5
SMI 80 88 7	80	88	7.0	1.5
SMI 80 90 7	80	90	7.0	1.5
SMI 85 95 7	85	95	7.0	1.5
SMI 90 100 7	90	100	7.0	1.5
SMI 100 110 7	100	110	7.0	1.5
SMI 100 120 7	100	120	7.0	1.5
SMI 110 120 7	110	120	7.0	1.5
SMI 120 130 7	120	130	7.0	1.5
SMI 130 145 9	130	145	9.0	2.0
SMI 140 155 9	140	155	9.0	2.0
SMI 150 165 9	150	165	9.0	2.0
SMI 160 175 9	160	175	9.0	2.0



DESCRIPTION

Rod wiper with external metal cage for open groove assembly

MATERIAL OF WIPER

Type: Nitril Rubber NBR
Designation: RUBSEAL 90
Hardness: 90 °ShA

MATERIAL OF METAL CAGE

Type: Not alloyed steel

MAIN FEATURES

The function of the SMA wiper ring is to prevent introduction of dust, dirt and foreign matter into the system. This is achieved by a special wiper lip which produces a very effective cleaning action, prevents the development of scores, protects the guiding parts and extends the service life of the axial moving rod seals.

A flush fitting with the outside diameter of the metal cage prevents moisture from entering the groove.

The material used to produce the wiper element is a nitril rubber with hardness 90 °ShA that ensures a good wear-resistance in case of dry run and an extended service life.

- Easy construction housing
- Tight fit in the groove
- High speed allowed
- Good wear-resistance
- Extended service life
- Low cost solution
- Space-saving construction

FIELD OF APPLICATION

Speed	≤ 2 m/s
Temperature	-30°C ÷ +100°C
Fluids	Hydraulic oils (mineral oil based). <i>For other fluids contact our technical department</i>

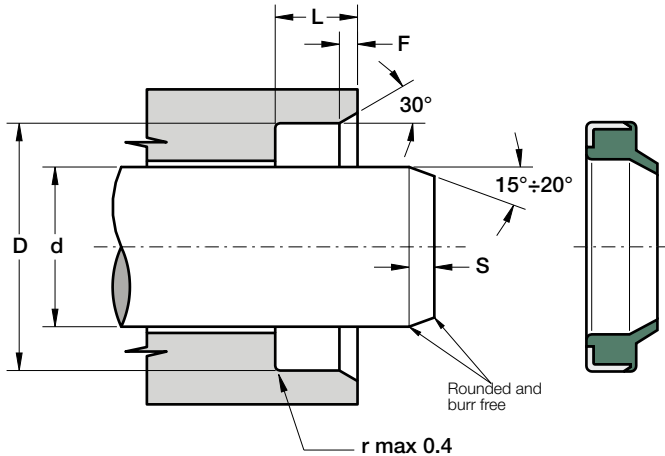
SURFACE ROUGHNESS

Dynamic surface	Suitable for rod seal system	
Static surface	Ra ≤ 1.6 µm	Rt ≤ 6.3 µm

LEAD-IN CHAMFERS

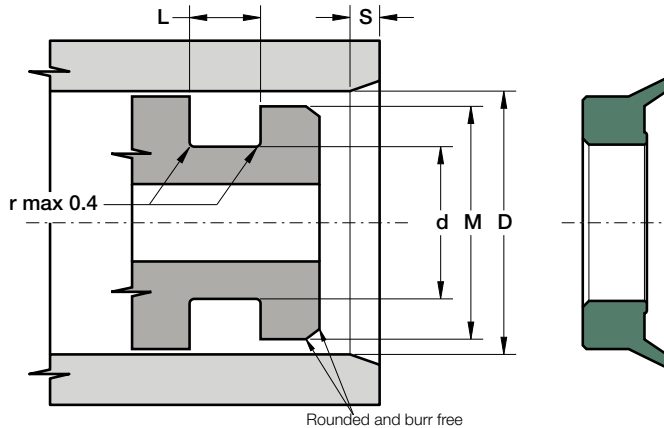
d	S _{MIN}
• less 100	5 mm
• 100÷200	7 mm
• over 200	10 mm

- Pay attention to the groove "D" diameter because, if larger, the wiper could be ejected during work
- Sharp edges and burrs within the installation area must be removed



Part.	d ^{f7}	D ^{H8}	L ^{+0.2}	F
SMA 95 105 7	95	105	7	1.5
SMA 100 110 7	100	110	7	1.5
SMA 110 120 7	110	120	7	1.5
SMA 120 130 7	120	130	7	1.5

Part.	d ^{f7}	D ^{H8}	L ^{+0.2}	F
SMA 12 20 4	12	20	4	0.8
SMA 16 22 3	16	22	3	0.5
SMA 16 26 5	16	26	5	1.0
SMA 20 28 3	20	28	3	0.6
SMA 20 30 7	20	30	7	1.5
SMA 22 28 5	22	28	5	1.0
SMA 22 32 5	22	32	5	1.0
SMA 25 35 7	25	35	7	1.5
SMA 30 40 5	30	40	5	1.0
SMA 32 45 7	32	45	7	1.5
SMA 35 45 7	35	45	7	1.5
SMA 40 50 5	40	50	5	1.0
SMA 40 50 7	40	50	7	1.5
SMA 45 55 7	45	55	7	1.5
SMA 45 60 7	45	60	7	1.5
SMA 50 60 7	50	60	7	1.5
SMA 50 65 5	50	65	5	1.0
SMA 55 65 7	55	65	7	1.0
SMA 60 70 7	60	70	7	1.5
SMA 65 75 7	65	75	7	1.5
SMA 70 80 7	70	80	7	1.5
SMA 75 85 7	75	85	7	1.5
SMA 80 90 7	80	90	7	1.5
SMA 90 100 7	90	100	7	1.5



DESCRIPTION

External wiper for single-acting cylinder

MATERIAL

Type: Polyurethane
 Designation: SEALPUR 93
 Hardness: 93 °ShA

MAIN FEATURES

The function of external wiper ring SAA is to prevent introduction of dust, dirt and foreign matter into the single-acting cylinder which has an opening to the atmosphere.

This is achieved by a special external wiper lip which produces a very effective cleaning action on the internal cylinder surface, prevents the development of scores, protects the guiding parts and extends the service life of the axial moving piston seals.

The material used to produce this wiper is a polyurethane compound that ensures excellent properties in case of dry run, an increased wear-resistance and an extended service life.

- Excellent wear-resistance
- Extended service life
- No close tolerances are necessary
- Low cost solution
- Space-saving construction
- Easy installation without expensive auxiliaries

FIELD OF APPLICATION

Speed	≤ 0.8 m/s
Temperature	-40°C ÷ +100°C
Fluids	Hydraulic oils (mineral oil based). <i>For other fluids contact our technical department</i>

SURFACE ROUGHNESS

Dynamic surface	Suitable for piston seal system	
Static surface	Ra ≤ 1.6 μm	Rt ≤ 6.3 μm

LEAD-IN CHAMFERS

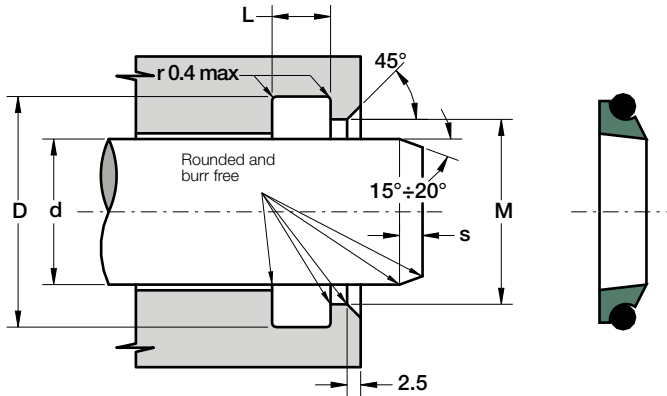
	D	S MIN
• less 100		5 mm
• 100÷200		7 mm
• over 200		10 mm

- Any pressure loads on the back of the rings should be avoided
- Sharp edges and burrs within the installation area must be removed

Part.	D ^{+H10}	d ^{+0.1}	L ^{+0.25}	M
SAA 30	30	21.4	5.3	27
SAA 40	40	31.4	5.3	37
SAA 50	50	41.4	5.3	47
SAA 60	60	51.4	5.3	57
SAA 63	63	54.4	5.3	60
SAA 70	70	61.4	5.3	67
SAA 80	80	71.4	5.3	77
SAA 90	90	81.4	5.3	87
SAA 95	95	86.4	5.3	92
SAA 100	100	91.4	5.3	97
SAA 100/B	100	88.0	7.5	94
SAA 110	110	101.4	5.3	107
SAA 115	115	106.4	5.3	112
SAA 115/A	115	107.0	5.0	111
SAA 115/B	115	100.0	10.0	107.5
SAA 120	120	111.4	5.3	117
SAA 130	130	121.4	5.3	127
SAA 140	140	131.4	5.3	137

S1A

ROD WIPER



DESCRIPTION

Rod wiper with energizing component

MATERIAL ON DYNAMIC SURFACE

Type: Polytetrafluoroethylene + Bronze

Designation: SEALFLON + Bronze

⇒ it can be provided with different fillers according to applications

MATERIAL ON STATIC SURFACE

Type: Nitril Rubber NBR

Designation: RUBSEAL 70

Hardness: 70 °ShA

⇒ it can be provided with different materials according to working conditions

MAIN FEATURES

The function of the S1A wiper ring is to prevent introduction of dust, dirt and foreign matter into the system. It is composed of:

- A dynamic element with a special wiper lip which produces a very effective cleaning action, prevents the development of scores, protects the guiding parts and extends the service life of the axial moving rod seals. The material used to produce this wiper assures exceptional low friction and high speed performance, high compatibility with nearly all media due to the chemical resistance which exceeds that of all other thermoplastics and elastomers

- A standard size O-Ring with low permanent deformation as an energizing component on the static side which keeps the pressure of the wiper lip against the sliding surface and can compensate any deflections of the rod

- Low static and dynamic friction
- High speed allowed
- No tendency of stick-slip
- Space-saving construction and simple groove design
- High compatibility with nearly all fluids (with the right choice of O-Ring material)
- High temperature resistance

FIELD OF APPLICATION

Speed	≤ 15 m/s
Temperature	-30°C ÷ +130°C (with OR in NBR) -30°C ÷ +200°C (with OR in FKM)
Fluids	High compatibility with nearly all fluids (with the right choice of O-Ring material)

SURFACE ROUGHNESS

Dynamic surface	Ra ≤ 0.3 µm	Rt ≤ 2.5 µm
Static surface	Ra ≤ 1.6 µm	Rt ≤ 6.3 µm

LEAD-IN CHAMFERS

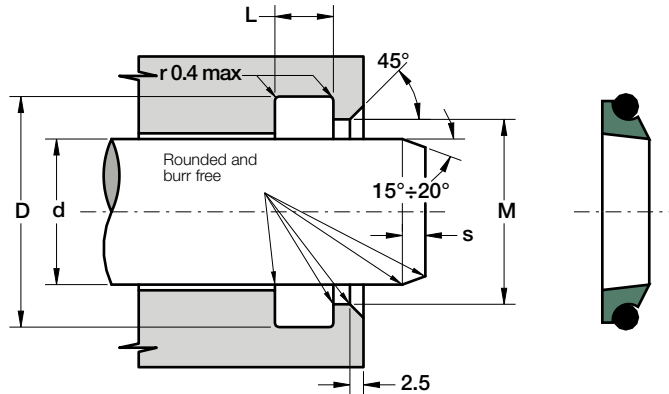
L	s
3.7	2.0
5.0	2.5
6.0	3.5

LEAD-IN CHAMFERS

L	s
8.4	6.5
11.0	7.5
14.0	10.0

- Sharp edges and burrs within the installation area must be removed

S1A ROD WIPER

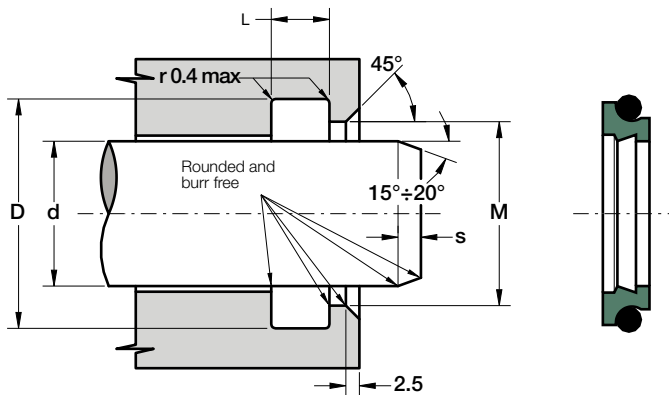


Part.	d ^{f8}	D ^{H9}	L ^{+0.2}	M ^{+0.1}	OR
S1A 8 12.8 3.7	8	12.8	3.7	10.7	012
S1A 10 14.8 3.7	10	14.8	3.7	12.7	013
S1A 12 18.8 5	12	18.8	5.0	15.5	113
S1A 14 20.8 5	14	20.8	5.0	17.5	114
S1A 15 21.8 5	15	21.8	5.0	18.5	115
S1A 16 22.8 5	16	22.8	5.0	19.5	116
S1A 18 24.8 5	18	24.8	5.0	21.5	117
S1A 20 26.8 5	20	26.8	5.0	23.5	118
S1A 24 30.8 5	24	30.8	5.0	27.5	120
S1A 25 31.8 5	25	31.8	5.0	28.5	121
S1A 28 34.8 5	28	34.8	5.0	31.5	123
S1A 30 36.8 5	30	36.8	5.0	33.5	124
S1A 32 38.8 5	32	38.8	5.0	35.5	126
S1A 35 41.8 5	35	41.8	5.0	38.5	127
S1A 40 46.8 5	40	46.8	5.0	43.5	131
S1A 42 48.8 5	42	48.8	5.0	45.5	132
S1A 45 51.8 5	45	51.8	5.0	48.5	134
S1A 50 56.8 5	50	56.8	5.0	53.5	137
S1A 55 61.8 5	55	61.8	5.0	58.5	140
S1A 56 62.8 5	56	62.8	5.0	59.5	141
S1A 60 66.8 5	60	66.8	5.0	63.5	143
S1A 65 73.8 6	65	73.8	6.0	69.0	231
S1A 70 78.8 6	70	78.8	6.0	74.0	233
S1A 75 83.8 6	75	83.8	6.0	79.0	234

Part.	d ^{f8}	D ^{H9}	L ^{+0.2}	M ^{+0.1}	OR
S1A 80 88.8 6	80	88.8	6.0	84.0	236
S1A 85 93.8 6	85	93.8	6.0	89.0	237
S1A 90 98.8 6	90	98.8	6.0	94.0	239
S1A 95 103.8 6	95	103.8	6.0	99.0	241
S1A 100 108.8 6	100	108.8	6.0	104.0	242
S1A 110 118.8 6	110	118.8	6.0	114.0	245
S1A 120 128.8 6	120	128.8	6.0	124.0	249
S1A 125 133.8 6	125	133.8	6.0	129.0	250
S1A 130 138.8 6	130	138.8	6.0	134.0	252
S1A 140 148.8 6	140	148.8	6.0	144.0	255
S1A 160 168.8 6	160	168.8	6.0	164.0	260
S1A 170 178.8 6	170	178.8	6.0	174.0	261
S1A 180 188.8 6	180	188.8	6.0	184.0	263
S1A 200 208.8 6	200	208.8	6.0	204.0	266

Other sizes not present in the above table can be provided in according to the following scheme:

d	D	M	L	S. OR
4 ÷ 11.9	d + 4.8	d + 2.7	3.7	1.78
12 ÷ 64.9	d + 6.8	d + 3.5	5.0	2.62
65 ÷ 250.9	d + 8.8	d + 4.0	6.0	3.53
251 ÷ 420.9	d + 12.2	d + 4.5	8.4	5.34
421 ÷ 650.9	d + 16.0	d + 5.2	11.0	6.99



DESCRIPTION

Rod wiper with energizing component

MATERIAL ON DYNAMIC SURFACE

Type: Polytetrafluoroethylene + Bronze

Designation: SEALFLON + Bronze

⇒ it can be provided with different fillers according to applications

MATERIAL ON STATIC SURFACE

Type: Nitril Rubber NBR

Designation: RUBSEAL 70

Hardness: 70 °ShA

⇒ it can be provided with different materials according to working conditions

MAIN FEATURES

The function of the S2A wiper ring is to prevent introduction of dust, dirt and foreign matter into the system. This wiper can carry out good sealing action if used in conjunction with a rod seal with hydrodynamic back-pumping function. It is composed of:

- A dynamic element with a special wiper lip which produces a very effective cleaning action, prevents the development of scores, protects the guiding parts and extends the service life of the axial moving rod seals.

The material used to produce this wiper assures exceptional low friction and high speed performance, high compatibility with nearly all media due to the chemical resistance which exceeds that of all other thermoplastics and elastomers

- A standard size O-Ring with low permanent deformation as an energizing component on the static side which keeps the pressure of the wiper lip against the sliding surface and can compensate any deflections of the rod

- Low static and dynamic friction
- High speed allowed
- No tendency of stick-slip
- Space-saving construction and simple groove design
- High compatibility with nearly all fluids (with the right choice of O-Ring material)
- High temperature resistance

FIELD OF APPLICATION

Speed	≤ 15 m/s
Temperature	-30°C ÷ +130°C (with OR in NBR) -30°C ÷ +200°C (with OR in FKM)
Fluids	High compatibility with nearly all fluids (with the right choice of O-Ring material)

SURFACE ROUGHNESS

Dynamic surface	Ra ≤ 0.3 µm	Rt ≤ 2.5 µm
Static surface	Ra ≤ 1.6 µm	Rt ≤ 6.3 µm

LEAD-IN CHAMFERS

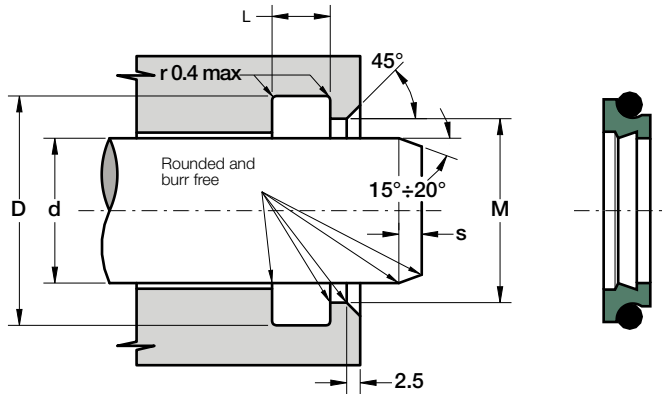
L	s
3.7	2.0
5.0	2.5
6.0	3.5

LEAD-IN CHAMFERS

L	s
8.4	6.5
11.0	7.5
14.0	10.0

- Sharp edges and burrs within the installation area must be removed

S2A ROD WIPER

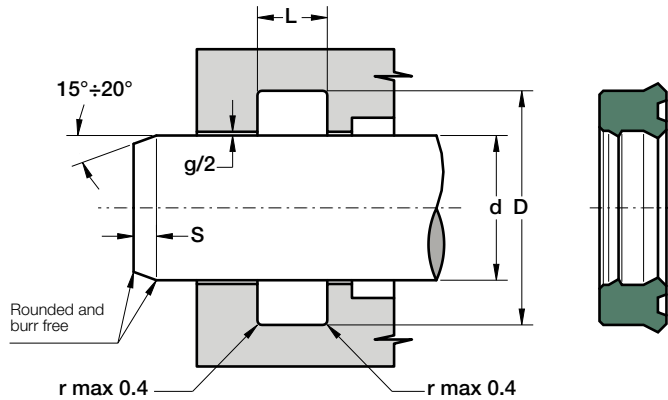


Part.	d ^{f8}	D ^{H9}	L ^{+0.2}	M ^{+0.1}	OR
S2A 8 12.8 3.7	8	12.8	3.7	9.0	012
S2A 10 14.8 3.7	10	14.8	3.7	11.0	013
S2A 12 18.8 5	12	18.8	5.0	13.5	113
S2A 14 20.8 5	14	20.8	5.0	15.5	114
S2A 15 21.8 5	15	21.8	5.0	16.5	115
S2A 16 22.8 5	16	22.8	5.0	17.5	116
S2A 18 24.8 5	18	24.8	5.0	19.5	117
S2A 20 26.8 5	20	26.8	5.0	21.5	118
S2A 24 30.8 5	24	30.8	5.0	25.5	120
S2A 25 31.8 5	25	31.8	5.0	26.5	121
S2A 28 34.8 5	28	34.8	5.0	29.5	123
S2A 30 36.8 5	30	36.8	5.0	31.5	124
S2A 32 38.8 5	32	38.8	5.0	33.5	126
S2A 35 41.8 5	35	41.8	5.0	36.5	127
S2A 40 46.8 5	40	46.8	5.0	41.5	131
S2A 42 48.8 5	42	48.8	5.0	43.5	132
S2A 45 51.8 5	45	51.8	5.0	46.5	134
S2A 50 56.8 5	50	56.8	5.0	51.5	137
S2A 55 61.8 5	55	61.8	5.0	56.5	140
S2A 56 62.8 5	56	62.8	5.0	57.5	141
S2A 60 66.8 5	60	66.8	5.0	61.5	143
S2A 65 73.8 6	65	73.8	6.0	67.0	231
S2A 70 78.8 6	70	78.8	6.0	72.0	233
S2A 75 83.8 6	75	83.8	6.0	77.0	234

Part.	d ^{f8}	D ^{H9}	L ^{+0.2}	M ^{+0.1}	OR
S2A 80 88.8 6	80	88.8	6.0	82.0	236
S2A 85 93.8 6	85	93.8	6.0	87.0	237
S2A 90 98.8 6	90	98.8	6.0	92.0	239
S2A 95 103.8 6	95	103.8	6.0	97.0	241
S2A 100 108.8 6	100	108.8	6.0	102.0	242
S2A 110 118.8 6	110	118.8	6.0	112.0	245
S2A 120 128.8 6	120	128.8	6.0	122.0	249
S2A 125 133.8 6	125	133.8	6.0	127.0	250
S2A 130 138.8 6	130	138.8	6.0	132.0	252
S2A 140 148.8 6	140	148.8	6.0	142.0	255
S2A 160 168.8 6	160	168.8	6.0	162.0	260
S2A 170 178.8 6	170	178.8	6.0	172.0	261
S2A 180 188.8 6	180	188.8	6.0	182.0	263
S2A 200 208.8 6	200	208.8	6.0	202.0	266

Other sizes not present in the above table can be provided in according to the following scheme:

d	D	M	L	S. OR
4 ÷ 11.9	d + 4.8	d + 1.0	3.7	1.78
12 ÷ 64.9	d + 6.8	d + 1.5	5.0	2.62
65 ÷ 250.9	d + 8.8	d + 2.0	6.0	3.53
251 ÷ 420.9	d + 12.2	d + 2.5	8.4	5.34
421 ÷ 650.9	d + 16.0	d + 2.5	11.0	6.99
651 ÷ 999.9	d + 20.0	d + 2.5	14.0	8.40



DESCRIPTION

Semicompact rod seal with an additional sealing lip

MATERIAL

Type: Polyurethane
 Designation: SEALPUR 93
 Hardness: 93 °ShA

MAIN FEATURES

Wear and dry run are largely prevented by additional lubricant retained within the gap created by the secondary lip. In some cases this second sealing lip may even act as a substitute for a costly tandem sealing system when complete sealing under certain working conditions can only be achieved by two seals placed one behind the other in separate housing. It's designed to be less sensitive to pressure fluctuations than typical "U" seals.

The material used to produce this seal is a polyurethane compound that ensures excellent properties on wear-resistance, extended service life and resistance against extrusion.

- Good sealing performance as well as at low pressure
- Extended service life
- Excellent wear-resistance
- Good temperature resistance
- Insensitive to pressure fluctuation
- Easy installation without expensive auxiliaries

FIELD OF APPLICATION

Pressure	≤ 400 bar
Speed	≤ 0.5 m/s
Temperature	-40°C ÷ +100°C
Fluids	Hydraulic oils (mineral oil based). For other fluids contact our technical department

SURFACE ROUGHNESS

Dynamic surface	Ra ≤ 0.3 µm	Rt ≤ 2.5 µm
Static surface	Ra ≤ 1.6 µm	Rt ≤ 6.3 µm

GAP DIMENSION "g"

The largest gap dimension appearing in operation on the non-pressurised side:

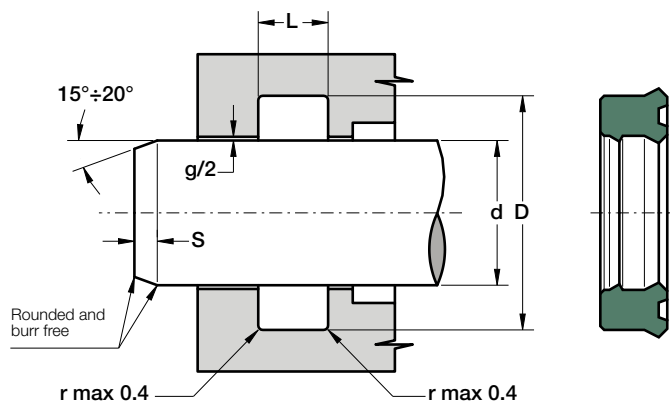
• 50 bar	1.20 mm
• 100 bar	0.80 mm
• 200 bar	0.40 mm
• 300 bar	0.25 mm
• 400 bar	0.17 mm

LEAD-IN CHAMFERS

d	S MIN
• less 100	5 mm
• 100÷200	7 mm
• over 200	10 mm

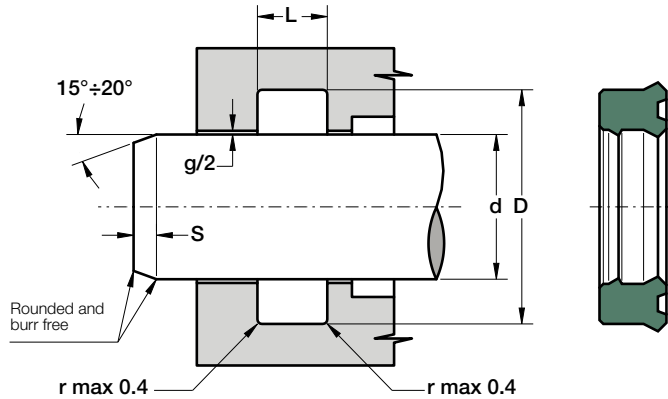
- to avoid damaging the sealing lips during installation, housing must have rounded chamfers. Sharp edges and burrs within the installation area of the seal must be removed

Part.	d ^{f7}	D ^{H10}	L ^{+0.25}
SD 6 14 5.8	6	14.0	6.3
SD 8 15 5.8	8	15.0	6.3
SD 8 16 5.8	8	16.0	6.3
SD 10 18 5.8	10	18.0	6.3
SD 12 19 5.6	12	19.0	6.1
SD 12 19 5.8	12	19.0	6.3
SD 12 20 5.8	12	20.0	6.3
SD 12 23 6.5	12	23.0	7.5



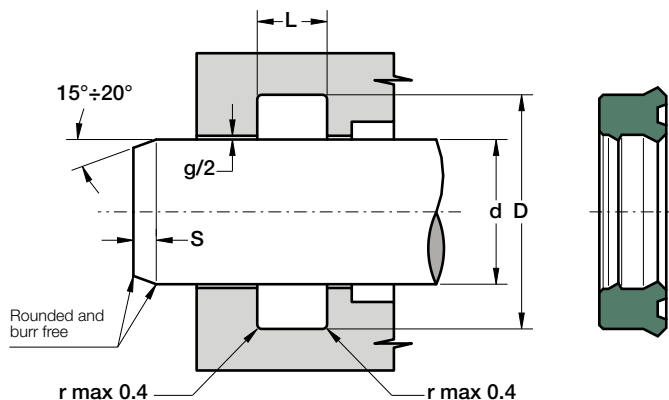
Part.	d ^{f7}	D ^{H10}	L ^{+0.25}
SD 14 20 4.8	14	20.0	5.3
SD 14 22 5.8	14	22.0	6.3
SD 15 21.5 4.2	15	21.5	5.0
SD 15 23 5.8	15	23.0	6.3
SD 16 24 5.8	16	24.0	6.3
SD 18 24 4.7	18	24.0	5.5
SD 18 25 5	18	25.0	5.7
SD 18 26 5.8	18	26.0	6.3
SD 18 26 8	18	26.0	9.0
SD 18 28 5.8	18	28.0	6.3
SD 18 28 7	18	28.0	8.0
SD 20 26 5	20	26.0	5.5
SD 20 26 5.2	20	26.0	5.7
SD 20 27 5.8	20	27.0	6.3
SD 20 28 5.8	20	28.0	6.3
SD 20 28 7	20	28.0	8.0
SD 20 30 4.5	20	30.0	5.0
SD 20 30 7	20	30.0	8.0
SD 22 30 5.8	22	30.0	6.3
SD 22 30 6	22	30.0	7.0
SD 22 30 7	22	30.0	8.0
SD 22 32 7	22	32.0	8.0
SD 22 32 8	22	32.0	9.0
SD 24 34 5.8	24	34.0	6.5
SD 25 33 5.8	25	33.0	6.3
SD 25 33 6.5	25	33.0	7.5
SD 25 33 7	25	33.0	8.0

Part.	d ^{f7}	D ^{H10}	L ^{+0.25}
SD 25 33 8	25	33.0	9.0
SD 25 35 5.8	25	35.0	6.3
SD 25 35 7	25	35.0	8.0
SD 25 35 8	25	35.0	9.0
SD 25 36 5	25	36.0	6.0
SD 27 37 5.8	27	37.0	6.3
SD 28 36 5.8	28	36.0	6.3
SD 28 36 8	28	36.0	9.0
SD 28 38 7	28	38.0	8.0
SD 30 38 5.8	30	38.0	6.3
SD 30 38 7	30	38.0	8.0
SD 30 38 8	30	38.0	9.0
SD 30 40 6.5	30	40.0	7.5
SD 30 40 10	30	40.0	11.0
SD 30 40 7	30	40.0	8.0
SD 32 40 5.8	32	40.0	6.3
SD 32 40 6.7	32	40.0	7.7
SD 32 40 8	32	40.0	9.0
SD 32 42 7	32	42.0	8.0
SD 32 42 8	32	42.0	9.0
SD 32 42 10	32	42.0	11.0
SD 32 47 10	32	47.0	11.0
SD 35 43 5.8	35	43.0	6.3
SD 35 43 6.2	35	43.0	7.0
SD 35 43 8	35	43.0	9.0
SD 35 44 7	35	44.0	8.0
SD 35 45 5.8	35	45.0	6.3
SD 35 45 7	35	45.0	8.0
SD 35 45 10	35	45.0	11.0
SD 35 45 12.5	35	45.0	13.5
SD 35 50 10	35	50.0	11.0
SD 36 44 5.8	36	44.0	6.3
SD 36 44 6.3	36	44.0	7.0
SD 36 44 8	36	44.0	9.0
SD 36 46 7	36	46.0	8.0
SD 36 46 10	36	46.0	11.0
SD 37 47 8	37	47.0	9.0
SD 37 47 10	37	47.0	11.0
SD 38 45 6	38	45.0	7.0
SD 38 50 8.5	38	50.0	9.5
SD 40 48 5.8	40	48.0	6.3



Part.	d ^{f7}	D ^{H10}	L ^{+0.25}
SD 40 48 6	40	48.0	7.0
SD 40 48 8	40	48.0	9.0
SD 40 50 5.8	40	50.0	6.3
SD 40 50 7	40	50.0	8.0
SD 40 50 10	40	50.0	11.0
SD 40 55 10	40	55.0	11.0
SD 42 50 6	42	50.0	7.0
SD 42 52 8	42	52.0	9.0
SD 42 53 9	42	53.0	10.0
SD 45 53 5.2	45	53.0	5.7
SD 45 53 5.8	45	53.0	6.3
SD 45 53 8	45	53.0	9.0
SD 45 55 5.8	45	55.0	6.3
SD 45 55 7	45	55.0	8.0
SD 45 55 10	45	55.0	11.0
SD 45 57 9	45	57.0	10.0
SD 45 60 10	45	60.0	11.0
SD 45 60 11.5	45	60.0	12.5
SD 46 54 7.5	46	54.0	8.5
SD 48 60 6	48	60.0	7.0
SD 50 58 8	50	58.0	9.0
SD 50 60 7	50	60.0	8.0
SD 50 60 9	50	60.0	10.0
SD 50 60 10	50	60.0	11.0
SD 50 62 8	50	62.0	9.0
SD 50 62 10	50	62.0	11.0
SD 50 65 10	50	65.0	11.0

Part.	d ^{f7}	D ^{H10}	L ^{+0.25}
SD 50 65 11.5	50	65.0	12.5
SD 50 70 13.5	50	70.0	14.5
SD 55 63 8	55	63.0	9.0
SD 55 65 7	55	65.0	8.0
SD 55 65 10	55	65.0	11.0
SD 55 65 12	55	65.0	13.0
SD 55 70 9.5	55	70.0	10.5
SD 56 66 6.5	56	66.0	7.5
SD 56 66 10	56	66.0	11.0
SD 56 71 9.5	56	71.0	10.5
SD 56 71 11.5	56	71.0	12.5
SD 60 68 7	60	68.0	8.0
SD 60 68 8	60	68.0	9.0
SD 60 70 7	60	70.0	8.0
SD 60 70 10	60	70.0	11.0
SD 60 70 11.5	60	70.0	12.5
SD 60 70 12	60	70.0	13.0
SD 60 72 9	60	72.0	10.0
SD 60 75 10	60	75.0	11.0
SD 61 69 7.5	61	69.0	8.5
SD 63 71 8	63	71.0	9.0
SD 63 73 10	63	73.0	11.0
SD 63 75 8.5	63	75.0	9.5
SD 63 75 10	63	75.0	11.0
SD 63 78 11.5	63	78.0	12.5
SD 65 71 8	65	71.0	9.0
SD 65 73 8	65	73.0	9.0
SD 65 75 12	65	75.0	13.0
SD 65 77 8.5	65	77.0	9.5
SD 68 76 8	68	76.0	9.0
SD 70 78 8	70	78.0	9.0
SD 70 80 6.5	70	80.0	7.5
SD 70 80 7	70	80.0	8.0
SD 70 80 10	70	80.0	11.0
SD 70 80 12	70	80.0	13.0
SD 70 82 9	70	82.0	10.0
SD 70 85 11	70	85.0	12.0
SD 75 83 8	75	83.0	9.0
SD 75 85 7	75	85.0	8.0
SD 75 90 10.5	75	90.0	11.5
SD 76 84 7.5	76	84.0	8.5

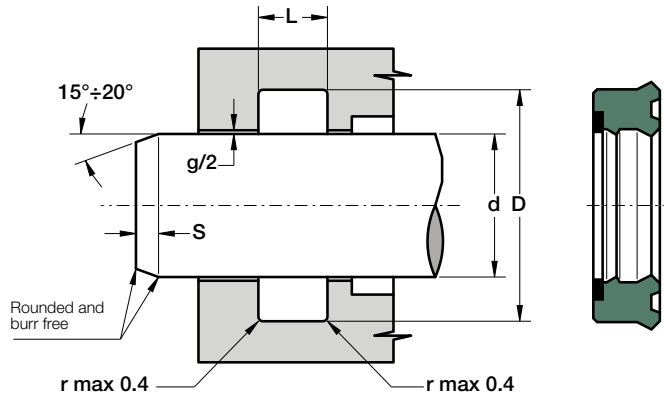


Part.	d ^{f7}	D ^{H10}	L ^{+0.25}
SD 78 90 12	78	90.0	13.0
SD 80 88 8	80	88.0	9.0
SD 80 88 11.5	80	88.0	12.5
SD 80 89 10	80	89.0	11.0
SD 80 90 7	80	90.0	8.0
SD 80 90 12	80	90.0	13.0
SD 80 92 9	80	92.0	9.6
SD 80 95 11	80	95.0	12.0
SD 80 96 9.5	80	96.0	10.5
SD 82 94 8	82	94.0	9.0
SD 85 93 8	85	93.0	9.0
SD 85 95 7	85	95.0	8.0
SD 85 95 12	85	95.0	13.0
SD 85 97 8.5	85	97.0	9.5
SD 85 100 11.5	85	100.0	12.5
SD 88 96 7.5	88	96.0	8.5
SD 88.9 101.6 9.5	88.9	101.6	10.5
SD 90 100 10	90	100.0	11.0
SD 90 102 9	90	102.0	10.0
SD 90 105 11.5	90	105.0	12.5
SD 91 99 7.5	91	99.0	8.5
SD 95 103 8	95	103.0	9.0
SD 95 104 10	95	104.0	11.0
SD 95 112 11	95	112.0	12.0
SD 100 108 7	100	108.0	8.0
SD 100 108 8	100	108.0	9.0
SD 100 108 11.5	100	108.0	12.5

Part.	d ^{f7}	D ^{H10}	L ^{+0.25}
SD 100 115 11.5	100	115.0	12.5
SD 104 116 8	104	116.0	9.0
SD 105 113 8	105	113.0	9.0
SD 107 115 7.5	107	115.0	8.5
SD 110 119 10	110	119.0	11.0
SD 110 125 11	110	125.0	12.0
SD 112 122 10.5	112	122.0	11.5
SD 120 128 11.5	120	128.0	12.5
SD 120 130 7	120	130.0	8.0
SD 120 130 14	120	130.0	15.0
SD 120 140 12	120	140.0	13.0
SD 125 133 6.5	125	133.0	7.5
SD 126 134 7.5	126	134.0	8.5
SD 129 141 8	129	141.0	9.0
SD 130 150 12	130	150.0	13.0
SD 135 145 12	135	145.0	13.0
SD 140 148 11.5	140	148.0	12.5
SD 140 155 8	140	155.0	9.0
SD 140 160 11.5	140	160.0	12.5
SD 145 153 7.5	145	153.0	8.5
SD 150 160 12.5	150	160.0	13.5
SD 150 170 12	150	170.0	13.0
SD 154 166 10	154	166.0	11.0
SD 160 170 12	160	170.0	13.0
SD 175 185 12	175	185.0	13.0
SD 180 190 12.5	180	190.0	13.5
SD 180 192 10	180	192.0	11.0
SD 180 200 12	180	200.0	13.0
SD 190 210 12	190	210.0	13.0
SD 210 230 15	210	230.0	16.0

Inch sizes

SD 4000 4500 0375	101.6	114.3	10.5
SD 4500 5000 0375	114.3	127.0	10.5



DESCRIPTION

Semicompact rod seal with an additional sealing lip and active backup ring

MATERIAL OF SEAL

Type: Polyurethane
 Designation: SEALPUR 93
 Hardness: 93 °ShA

MATERIAL OF ANTI-EXTRUSION RING

Type: Acetal resin with glass fibre
 Designation: BEARITE

MAIN FEATURES

This seal is mainly used with high pressure and the backup ring offsets large gaps without extrusion.

Wear and dry run are largely prevented by additional lubricant retained within the gap created by the secondary lip. In some cases this second sealing lip may even act as a substitute for a costly tandem sealing system when complete sealing under certain working conditions can only be achieved by two seals placed one behind the other in separate housing. It's designed to be less sensitive to pressure fluctuations than typical "U" seals.

The material used to produce this seal is a polyurethane compound that ensures excellent properties on wear-resistance, extended service life and resistance against extrusion.

- Very high resistance against extrusion (backup ring)
- Good sealing performance as well as at low pressure
- Extended service life
- Excellent wear-resistance
- Good temperature resistance
- Insensitive to pressure fluctuation
- Easy installation without expensive auxiliaries

FIELD OF APPLICATION

Pressure	≤ 500 bar
Speed	≤ 0.5 m/s
Temperature	-40°C ÷ +100°C
Fluids	Hydraulic oils (mineral oil based). <i>For other fluids contact our technical department</i>

SURFACE ROUGHNESS

Dynamic surface	Ra ≤ 0.3 µm	Rt ≤ 2.5 µm
Static surface	Ra ≤ 1.6 µm	Rt ≤ 6.3 µm

GAP DIMENSION "g"

The largest gap dimension appearing in operation on the non-pressurised side:

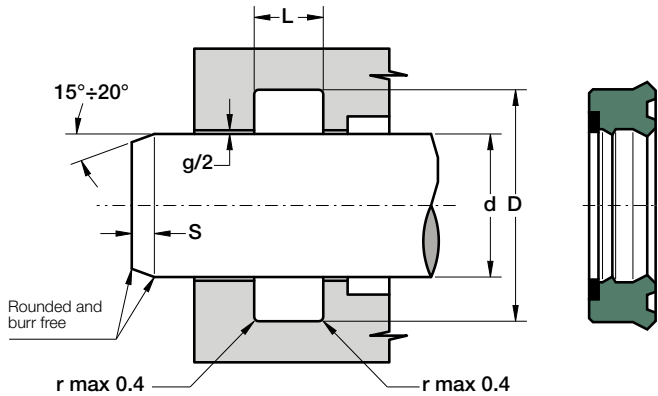
• 200 bar	0.80 mm
• 300 bar	0.65 mm
• 400 bar	0.50 mm
• 500 bar	0.40 mm

LEAD-IN CHAMFERS

d	S _{MIN}
• less 100	5 mm
• 100÷200	7 mm
• over 200	10 mm

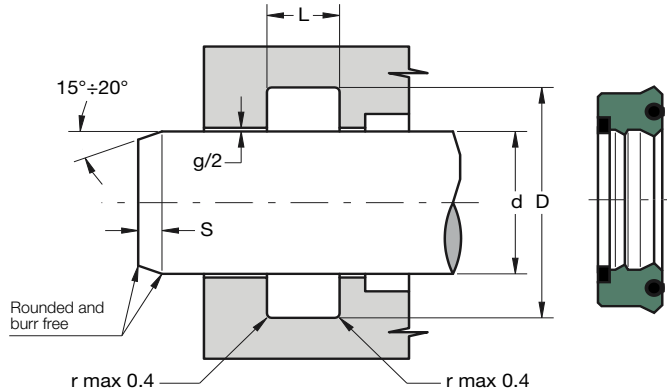
- to avoid damaging the sealing lips during installation, housing must have rounded chamfers. Sharp edges and burrs within the installation area of the seal must be removed

SDA SEMICOMPACT ROD SEAL WITH ANTI-EXTRUSION RING



Part.	d ^{f7}	D ^{H10}	L ^{+0.25}
SDA 25 33 5.8	25	33.0	6.3
SDA 40 48 8	40	48.0	9.0
SDA 40 50 10	40	50.0	11.0
SDA 40 52 10	40	52.0	11.0
SDA 40 55 10	40	55.0	11.0
SDA 45 53 9.5	45	53.0	10.5
SDA 45 55 10	45	55.0	11.0
SDA 45 60 10	45	60.0	11.0
SDA 50 60 10	50	60.0	11.0
SDA 50 65 10	50	65.0	11.0
SDA 55 65 10	55	65.0	11.0
SDA 56 71 11.5	56	71.0	12.5
SDA 60 70 12.5	60	70.0	13.5
SDA 60 75 12	60	75.0	13.0
SDA 60 80 12	60	80.0	13.0
SDA 63 75 12	63	75.0	13.0
SDA 63 78 11.5	63	78.0	12.5
SDA 63 83 12	63	83.0	13.0
SDA 65 75 12	65	75.0	13.0
SDA 65 80 11.5	65	80.0	12.5
SDA 70 80 7	70	80.0	8.0
SDA 70 85 12	70	85.0	13.0
SDA 70 90 13.5	70	90.0	14.5
SDA 75 90 12	75	90.0	13.0

Part.	d ^{f7}	D ^{H10}	L ^{+0.25}
SDA 75 95 13.5	75	95.0	14.5
SDA 80 88 9	80	88.0	10.0
SDA 80 95 11	80	95.0	12.0
SDA 80 96 9.5	80	96.0	10.5
SDA 80 100 11.5	80	100.0	12.5
SDA 80 100 13.5	80	100.0	14.5
SDA 90 105 8.5	90	105.0	9.5
SDA 90 105 12	90	105.0	13.0
SDA 90 110 12	90	110.0	13.0
SDA 95 115 13.5	95	115.0	14.5
SDA 100 108 8	100	108.0	9.0
SDA 100 110 12.5	100	110.0	13.5
SDA 100 113 12.5	100	113.0	13.5
SDA 100 120 13.5	100	120.0	14.5
SDA 110 120 13.5	110	120.0	14.5
SDA 110 125 12	110	125.0	13.0
SDA 110 130 11.5	110	130.0	12.5
SDA 120 135 11.5	120	135.0	12.5
SDA 120 140 11.5	120	140.0	12.5
SDA 120 140 15	120	140.0	16.0
SDA 130 145 12	130	145.0	13.0
SDA 135 150 12	135	150.0	13.0
SDA 140 155 12	140	155.0	13.0



DESCRIPTION

Semicompact rod seal with an additional sealing lip, active backup ring and energizing element

MATERIAL OF SEAL

Type: Polyurethane
Designation: SEALPUR 93
Hardness: 93 °ShA

MATERIAL OF ENERGIZING ELEMENT

Type: Nitril Rubber NBR
Designation: RUBSEAL 70
Hardness: 70 °ShA

MATERIAL OF ANTI-EXTRUSION RING

Type: Acetal resin with glass fibre
Designation: BEARITE

MAIN FEATURES

The seal type SDAN is the natural further development of the SDA seal. It is a high performance all purpose lipseal which combines the advantage of a highly elastic rubber and the abrasion resistance of polyurethane.

This seal is mainly used with high pressure and the backup ring offsets large gaps without extrusion.

Wear and dry run are largely prevented by additional lubricant retained within the gap created by the secondary lip. In some cases this second sealing lip may even act as a substitute for a costly tandem sealing system when complete sealing under certain working conditions can only be achieved by two seals placed one behind the other in separate housing.

The energizing O-Ring guarantees a good sealing performance in the low pressure range.

The material used to produce this seal is a polyurethane compound that ensures excellent properties on wear-resistance, extended service life and resistance against extrusion.

- Very high resistance against extrusion (backup ring)
- Good sealing performance as well as at low pressure
- Extended service life
- Excellent wear-resistance
- Good temperature resistance
- Insensitive to pressure fluctuation
- Easy installation without expensive auxiliaries

FIELD OF APPLICATION

Pressure	≤ 500 bar
Speed	≤ 0.5 m/s
Temperature	-40°C ÷ +100°C
Fluids	Hydraulic oils (mineral oil based). <i>For other fluids contact our technical department</i>

SURFACE ROUGHNESS

Dynamic surface	Ra ≤ 0.3 µm	Rt ≤ 2.5 µm
Static surface	Ra ≤ 1.6 µm	Rt ≤ 6.3 µm

GAP DIMENSION "g"

The largest gap dimension appearing in operation on the non-pressurised side:

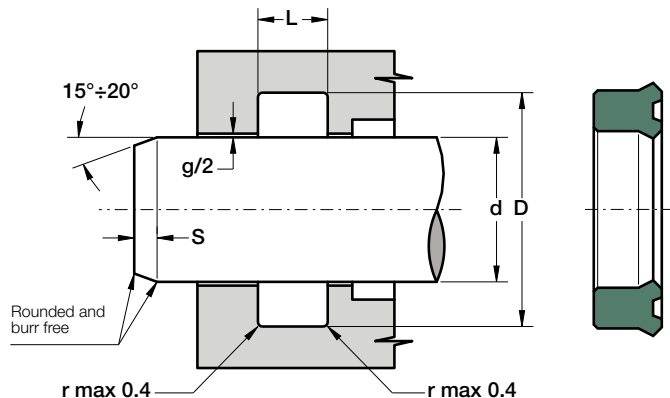
• 200 bar	0.80 mm
• 300 bar	0.65 mm
• 400 bar	0.50 mm
• 500 bar	0.40 mm

LEAD-IN CHAMFERS

d	S _{MIN}
• less 100	5 mm
• 100÷200	7 mm
• over 200	10 mm

- to avoid damaging the sealing lips during installation, housing must have rounded chamfers. Sharp edges and burrs within the installation area of the seal must be removed

Part.	d ^{f7}	D ^{H10}	L ^{+0.25}
SDAN 50 59 10	50	59	11.0
SDAN 80 95 11.5	80	95.0	12.5
SDAN 90 105 11.5	90	105.0	12.5
SDAN 110 130 14.5	110	130.0	15.5



DESCRIPTION

Semicompact rod seal

MATERIAL

Type: Polyurethane
 Designation: SEALPUR 93
 Hardness: 93 °ShA

MAIN FEATURES

Thanks to its semicompact profile, the rod seal type S assures a good sealing performance as well as at low pressure.

It's designed to be less sensitive to pressure fluctuations than typical "U" seals.

The material used to produce this seal is a polyurethane compound that ensures excellent properties on wear-resistance, extended service life and resistance against extrusion.

- Good sealing performance as well as at low pressure
- Extended service life
- Excellent wear-resistance
- Good temperature resistance
- Insensitive to pressure fluctuation
- Easy installation without expensive auxiliaries

FIELD OF APPLICATION

Pressure	≤ 400 bar
Speed	≤ 0.5 m/s
Temperature	-40°C ÷ +100°C
Fluids	Hydraulic oils (mineral oil based).
	<i>For other fluids contact our technical department</i>

SURFACE ROUGHNESS

Dynamic surface	Ra ≤ 0.3 µm	Rt ≤ 2.5 µm
Static surface	Ra ≤ 1.6 µm	Rt ≤ 6.3 µm

GAP DIMENSION "g"

The largest gap dimension appearing in operation on the non-pressurised side:

• 50 bar	1.20 mm
• 100 bar	0.80 mm
• 200 bar	0.40 mm
• 300 bar	0.25 mm
• 400 bar	0.17 mm

LEAD-IN CHAMFERS

d	S MIN
• less 100	5 mm
• 100÷200	7 mm
• over 200	10 mm

- to avoid damaging the sealing lips during installation, housing must have rounded chamfers. Sharp edges and burrs within the installation area of the seal must be removed

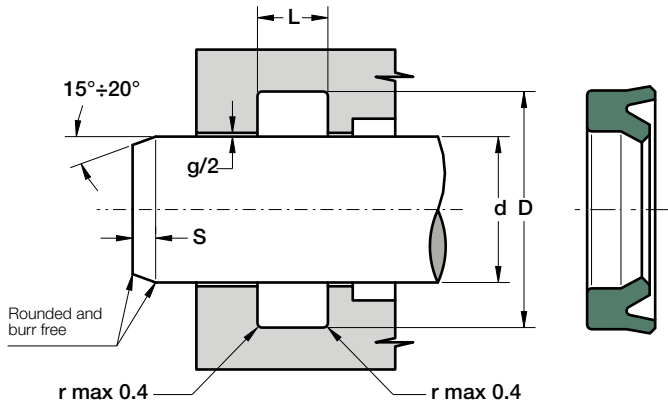
Part.	d ^{#7}	D ^{#10}	L ^{+0.25}
S 12 18 4.5	12	18.0	5.0
S 14 19 4.8	14	19.0	5.3
S 16 20 3.3	16	20.0	3.8
S 16 22 4	16	22.0	4.5
S 20 25 3.7	20	25.0	4.5
S 22 28 4.5	22	28.0	5.5
S 22 30 5.8	22	30.0	6.3
S 22 32 8	22	32.0	9.0
S 25 32 4	25	32.0	5.0
S 25 33 5.8	25	33.0	6.3
S 28 35 4	28	35.0	4.5
S 35 42 4.5	35	42.0	5.0
S 56 66 6.5	56	66.0	7.5
S 140 155.5 5.8	140	155.5	6.3

Inch sizes

S 3375 4375 0550	85.7	111.1	15.0
-------------------------	------	-------	------

A

ROD SEAL WITH ASYMMETRIC LIPS



DESCRIPTION

Rod seal with asymmetric lips

MATERIAL

Type: Polyurethane
 Designation: SEALPUR 93
 Hardness: 93 °ShA

MAIN FEATURES

The rod seal type A assures a good reaction against shock pressure peaks and low friction in the low pressure range.

The asymmetric lips are designed to differentiate the behaviour of the lips on the static and dynamic surfaces: the static lip is flexible and more sensitive to pressure fluctuations; the dynamic lip is shorter and stronger to concentrate load against the dynamic surface.

The material used to produce this seal is a polyurethane compound that ensures excellent properties on wear-resistance, extended service life and resistance against extrusion.

- Extended service life
- High resistance against extrusion
- Excellent wear-resistance
- Good temperature resistance
- Insensitive to structural deflections
- Easy installation without expensive auxiliaries

FIELD OF APPLICATION

Pressure	≤ 400 bar
Speed	≤ 0.5 m/s
Temperature	-40°C ÷ +100°C
Fluids	Hydraulic oils (mineral oil based). <i>For other fluids contact our technical department</i>

SURFACE ROUGHNESS

Dynamic surface	Ra ≤ 0.3 µm	Rt ≤ 2.5 µm
Static surface	Ra ≤ 1.6 µm	Rt ≤ 6.3 µm

GAP DIMENSION “g”

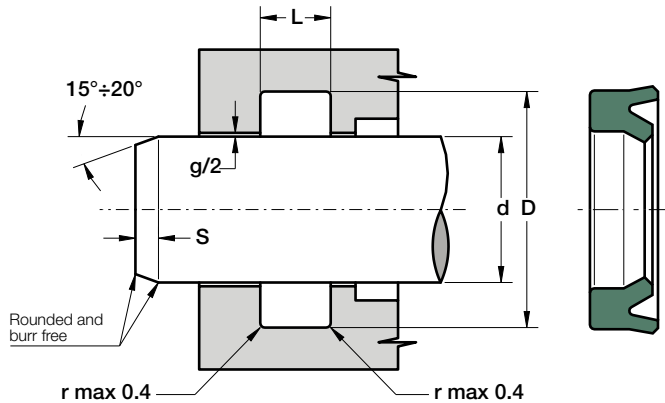
The largest gap dimension appearing in operation on the non-pressurised side:

• 50 bar	1.20 mm
• 100 bar	0.80 mm
• 200 bar	0.40 mm
• 300 bar	0.25 mm
• 400 bar	0.17 mm

LEAD-IN CHAMFERS

d	S _{MIN}
• less 100	5 mm
• 100÷200	7 mm
• over 200	10 mm

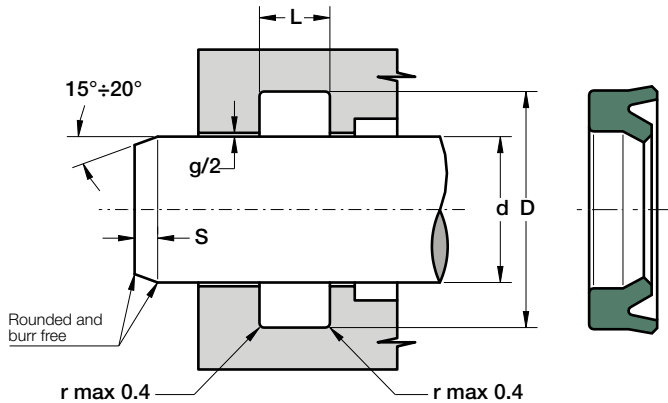
- to avoid damaging the sealing lips during installation, housing must have rounded chamfers. Sharp edges and burrs within the installation area of the seal must be removed



Part.	d ^{f7}	D ^{H10}	L ^{+0.25}
A 4 8 3	4	8.0	3.5
A 6 11 4	6	11.0	4.5
A 6 11 5.5	6	11.0	6.0
A 8 16 5.8	8	16.0	6.3
A 10 18 5.8	10	18.0	6.3
A 10 20 7	10	20.0	8.0
A 11 17 4.5	11	17.0	5.0
A 12 17 3.5	12	17.0	4.0
A 12 20 5.8	12	20.0	6.3
A 12 22 7	12	22.0	8.0
A 14 22 5.8	14	22.0	6.3
A 15 21 5	15	21.0	5.5
A 15 23 5.8	15	23.0	6.3
A 16 20.6 3.3	16	20.6	3.6
A 16 22 5	16	22.0	5.5
A 16 24 5.8	16	24.0	6.3
A 18 24 4.7	18	24.0	5.2
A 18 26 5.8	18	26.0	6.3
A 18 28 7	18	28.0	8.0
A 20 26 5	20	26.0	5.5
A 20 28 5.8	20	28.0	6.3
A 20 28 6	20	28.0	7.0
A 20 28 7	20	28.0	8.0
A 20 30 7	20	30.0	8.0
A 22 30 5.8	22	30.0	6.3
A 22 32 7	22	32.0	8.0

Part.	d ^{f7}	D ^{H10}	L ^{+0.25}
A 24 30 4.5	24	30.0	5.0
A 24 34 7	24	34.0	8.0
A 25 33 5.8	25	33.0	6.3
A 25 33 6.3	25	33.0	7.0
A 25 33 7	25	33.0	8.0
A 25 35 7	25	35.0	8.0
A 27 35 5.8	27	35.0	6.3
A 28 36 5.8	28	36.0	6.3
A 28 38 7	28	38.0	8.0
A 28 40 8.5	28	40.0	9.5
A 30 38 5.8	30	38.0	6.3
A 30 38 8	30	38.0	9.0
A 30 40 5.8	30	40.0	6.3
A 30 40 7	30	40.0	8.0
A 30 40 9.5	30	40.0	10.5
A 30 43 9	30	43.0	10.0
A 32 40 5.8	32	40.0	6.3
A 32 40 8	32	40.0	9.0
A 32 42 7	32	42.0	8.0
A 32 42 10	32	42.0	11.0
A 32 45 10	32	45.0	11.0
A 32 47 10	32	47.0	11.0
A 33 43 10	33	43.0	11.0
A 35 43 5.8	35	43.0	6.3
A 35 43 8	35	43.0	9.0
A 35 45 7	35	45.0	8.0
A 35 45 10	35	45.0	11.0
A 35 46 8	35	46.0	9.0
A 36 46 7	36	46.0	8.0
A 36 48 11	36	48.0	12.0
A 38 44.5 4.7	38	44.5	5.3
A 38 45 5	38	45.0	5.5
A 39 50 10	39	50.0	11.0
A 40 48 4	40	48.0	4.5
A 40 48 5.8	40	48.0	6.3
A 40 48 8	40	48.0	9.0
A 40 50 7	40	50.0	8.0
A 40 50 10	40	50.0	11.0
A 40 52 8	40	52.0	9.0
A 40 60 10	40	60.0	11.0

A ROD SEAL WITH ASYMMETRIC LIPS

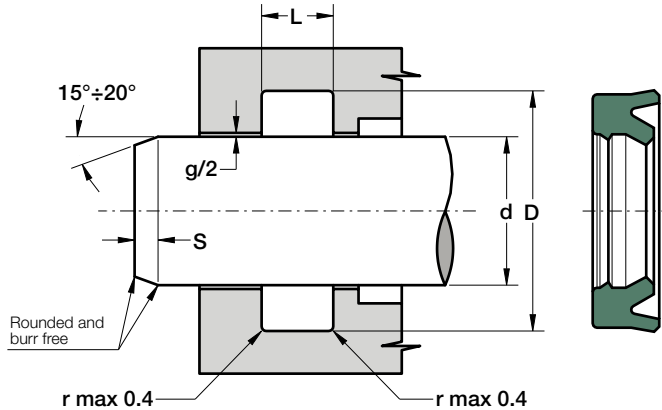


Part.	d ^{f7}	D ^{H10}	L ^{+0.25}
A 42 50 6	42	50.0	7.0
A 45 53 5.8	45	53.0	6.3
A 45 55 7	45	55.0	8.0
A 45 55 10	45	55.0	11.0
A 45 58 9	45	58.0	10.0
A 45 60 11.5	45	60.0	12.5
A 46 56 7	46	56.0	8.0
A 50 60 7	50	60.0	8.0
A 50 60 10	50	60.0	11.0
A 50 65 10	50	65.0	11.0
A 50 65 11.5	50	65.0	12.5
A 50 68 9	50	68.0	10.0
A 55 65 7	55	65.0	8.0
A 55 65 10	55	65.0	11.0
A 55 65 12	55	65.0	13.0
A 55 70 9.5	55	70.0	10.5
A 56 66 7	56	66.0	8.0
A 56 66 10	56	66.0	11.0
A 60 65.6 5.6	60	65.6	6.3
A 60 70 7	60	70.0	8.0
A 60 70 10	60	70.0	11.0
A 60 72 8	60	72.0	9.0
A 60 72 9	60	72.0	10.0
A 60 75 10	60	75.0	11.0
A 60 75 12	60	75.0	13.0
A 65 80 10	65	80.0	11.0

Part.	d ^{f7}	D ^{H10}	L ^{+0.25}
A 70 80 7	70	80.0	8.0
A 70 80 10	70	80.0	11.0
A 70 85 10	70	85.0	11.0
A 70 85 11	70	85.0	12.0
A 73 82.5 7	73	82.5	8.0
A 75 90 10	75	90.0	11.0
A 80 90 7	80	90.0	8.0
A 80 90 12	80	90.0	13.0
A 80 95 10	80	95.0	11.0
A 85 95 7.2	85	95.0	8.2
A 85 100 12	85	100.0	13.0
A 90 100 12	90	100.0	13.0
A 90 105 12	90	105.0	13.0
A 90 110 12	90	110.0	13.0
A 95 105 5	95	105.0	5.7
A 100 109.3 5.7	100	109.3	6.2
A 100 115 9	100	115.0	10.0
A 100 115 10.5	100	115.0	11.5
A 100 115 12	100	115.0	13.0
A 100 120 12.5	100	120.0	13.5
A 100 120 15	100	120.0	16.0
A 105 115 5.7	105	115.0	6.2
A 110 120 12	110	120.0	13.0
A 110 130 12	110	130.0	13.0
A 115 130 11	115	130.0	12.0
A 120 140 15	120	140.0	16.0
A 125 145 12	125	145.0	13.0
A 130 145 14	130	145.0	15.0
A 140 150 6	140	150.0	7.0
A 140 150 11.5	140	150.0	12.5
A 160 185 19	160	185.0	20.0
A 180 200 14.5	180	200.0	15.5
A 200 220 14.5	200	220.0	15.5
A 216 226 6	216	226.0	7.0
A 238 258 15	238	258.0	16.0
A 240 260 15	240	260.0	16.0

Inch sizes

A 7000 8000 0765	177.8	203.2	20.4
------------------	-------	-------	------



DESCRIPTION

Rod seal with asymmetric lips and double lip

MATERIAL

Type: Polyurethane
 Designation: SEALPUR 93
 Hardness: 93 °ShA

MAIN FEATURES

The rod seal type AD assures a good reaction against shock pressure peaks and low friction in the low pressure range.

The asymmetric lips are designed to differentiate the behaviour of the lips on the static and dynamic surfaces: the static lip is flexible and more sensitive to pressure fluctuations; the dynamic lip is shorter and stronger to concentrate load against the dynamic surface.

Wear and dry run are largely prevented by additional lubricant retained within the gap created by the secondary lip.

The material used to produce this seal is a polyurethane compound that ensures excellent properties on wear-resistance, extended service life and resistance against extrusion.

- Extended service life
- High resistance against extrusion
- Excellent wear-resistance
- Good temperature resistance
- Insensitive to structural deflections
- Easy installation without expensive auxiliaries

FIELD OF APPLICATION

Pressure	≤ 400 bar
Speed	≤ 0.5 m/s
Temperature	-40°C ÷ +100°C
Fluids	Hydraulic oils (mineral oil based). For other fluids contact our technical department

SURFACE ROUGHNESS

Dynamic surface	Ra ≤ 0.3 µm	Rt ≤ 2.5 µm
Static surface	Ra ≤ 1.6 µm	Rt ≤ 6.3 µm

GAP DIMENSION "g"

The largest gap dimension appearing in operation on the non-pressurised side:

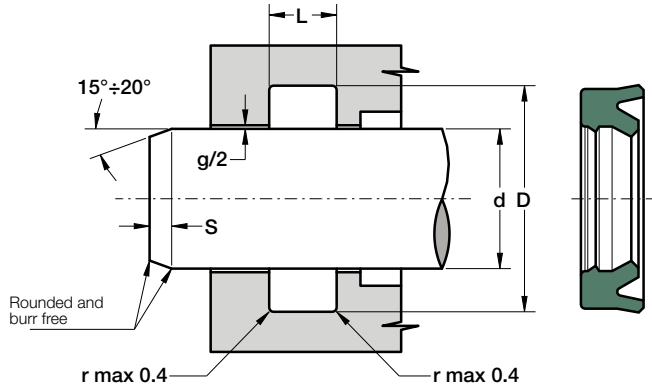
• 50 bar	1.20 mm
• 100 bar	0.80 mm
• 200 bar	0.40 mm
• 300 bar	0.25 mm
• 400 bar	0.17 mm

LEAD-IN CHAMFERS

d	S MIN
• less 100	5 mm
• 100÷200	7 mm
• over 200	10 mm

- to avoid damaging the sealing lips during installation, housing must have rounded chamfers. Sharp edges and burrs within the installation area of the seal must be removed

Part.	d ^{f7}	D ^{H10}	L ^{+0.25}
AD 5 10 3.5	5	10.0	4.0
AD 6 11 3.5	6	11.0	4.0
AD 7 12 4	7	12.0	4.5
AD 12 22 8	12	22.0	9.0
AD 16 24 6	16	24.0	7.0
AD 20 26 5	20	26.0	5.5
AD 20 28 6	20	28.0	7.0
AD 22 30 5.8	22	30.0	6.3
AD 22 30 6	22	30.0	7.0
AD 25 33 5.5	25	33.0	6.0
AD 25 33 5.8	25	33.0	6.3
AD 25 33 6.5	25	33.0	7.5
AD 26 36 10	26	36.0	11.0
AD 30 40 6	30	40.0	7
AD 30 40 7	30	40.0	8.0
AD 30 40 10	30	40.0	11
AD 30 42 11	30	42.0	12.0
AD 32 40 6.5	32	40.0	7.5

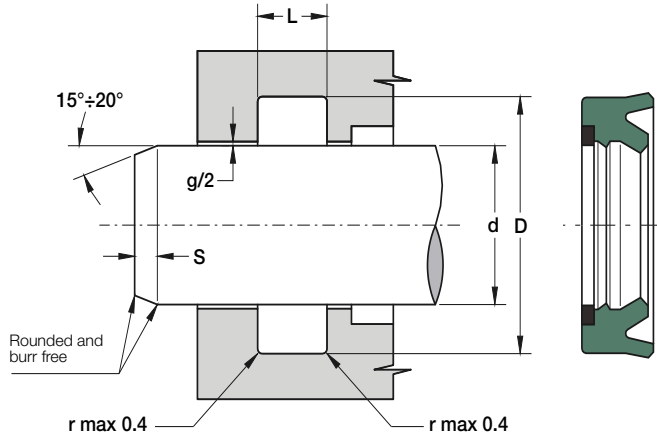


Part.	d ^{f7}	D ^{H10}	L ^{+0.25}
AD 32 41.53 7.9	32	41.53	8.9
AD 32 42 7.3	32	42.0	8.3
AD 35 43 7	35	43.0	8.0
AD 36 46 7	36	46.0	8
AD 36 46 10	36	46.0	11.0
AD 38 48 8	38	48.0	9.0
AD 40 48 5.8	40	48.0	6.3
AD 40 49.52 9.5	40	49.52	10.5
AD 40 50 7	40	50.0	8.0
AD 40 50 10	40	50.0	11.0
AD 40 52 11	40	52.0	12.0
AD 40 55 10	40	55.0	11.0
AD 45 55 7	45	55.0	8.0
AD 45 55 10	45	55.0	11.0
AD 45 60 11.5	45	60.0	12.5
AD 50 60 7	50	60.0	8.0
AD 50 60 10	50	60.0	11.0
AD 55 63 11.5	55	63.0	12.5
AD 55 65 8.5	55	65.0	9.5
AD 55 65 10	55	65.0	11.0
AD 56 71 11.5	56	71.0	12.5
AD 60 69.3 5.5	60	69.3	6.2
AD 60 70 7	60	70.0	8.0
AD 60 70 14	60	70.0	15.0
AD 65 73 9	65	73.0	10.0
AD 65 73 11.5	65	73.0	12.5
AD 65 80 12	65	80.0	13.0

Part.	d ^{f7}	D ^{H10}	L ^{+0.25}
AD 70 80 12	70	80.0	13.0
AD 70 85 11.5	70	85.0	12.5
AD 75 83 11.5	75	83.0	12.5
AD 75 85 11.5	75	85.0	12.5
AD 78 88 14	78	88.0	15.0
AD 80 95 11.5	80	95.0	12.5
AD 85 93 10	85	93.0	11.0
AD 88.9 101.6 9.5	88.9	101.6	10.5
AD 90 98 11.5	90	98.0	12.5
AD 90 100 11.5	90	100.0	12.5
AD 90 105 11.5	90	105.0	12.5
AD 90 110 14	90	110.0	15.0
AD 95 103 11.5	95	103.0	12.5
AD 99 109 14	99	109.0	15.0
AD 100 110 10	100	110.0	11.0
AD 100 110 11.5	100	110.0	12.5
AD 100 115 12	100	115.0	13.0
AD 100 120 12	100	120.0	13.0
AD 105 115 11.5	105	115.0	12.5
AD 105 120 10	105	120.0	11.0
AD 110 120 10.5	110	120.0	11.5
AD 115 123 11.5	115	123.0	12.5
AD 115 125 12	115	125.0	13.0
AD 118 133 9.8	118	133.0	10.8
AD 120 130 14	120	130.0	15.0
AD 125 133 11.5	125	133.0	12.5
AD 125 135 11	125	135.0	12.0
AD 135 143 11.5	135	143.0	12.5
AD 141 151 14	141	151.0	15.0
AD 145 160 12	145	160.0	13.0
AD 150 160 11	150	160.0	12.0
AD 155 163 11.5	155	163.0	12.5
AD 160 170 11.5	160	170.0	12.5
AD 162 172 14	162	172.0	15.0
AD 175 185 11	175	185.0	12.0
AD 180 190 10	180	190.0	11.0
AD 183 193 14	183	193.0	15.0
AD 207 217 14	207	217.0	15.0

Inch sizes

AD 1250 1750 0250	31.75	44.45	7.0
AD 1500 2000 0335	38.1	50.8	9.5



DESCRIPTION

Rod seal with an additional sealing lip and active backup ring

MATERIAL OF SEAL

Type: Polyurethane
Designation: SEALPUR 93
Hardness: 93 °ShA

MATERIAL OF ANTI-EXTRUSION RING

Type: Acetal resin with glass fibre
Designation: BEARITE

MAIN FEATURES

This seal is mainly used with high pressure and the backup ring offsets large gaps without extrusion.

The asymmetric lips are designed to differentiate the behaviour of the lips on the static and dynamic surfaces: the static lip is flexible and more sensitive to pressure fluctuations; the dynamic lip is shorter and stronger to concentrate load against the dynamic surface.

Wear and dry run are largely prevented by additional lubricant retained within the gap created by the secondary lip. In some cases this second sealing lip may even act as a substitute for a costly tandem sealing system when complete sealing under certain working conditions can only be achieved by two seals placed one behind the other in separate housing.

The material used to produce this seal is a polyurethane compound that ensures excellent properties on wear-resistance, extended service life and resistance against extrusion.

- Very high resistance against extrusion (backup ring)
- Extended service life
- Excellent wear-resistance
- Good temperature resistance
- Insensitive to structural deflections
- Easy installation without expensive auxiliaries

FIELD OF APPLICATION

Pressure	≤ 500 bar
Speed	≤ 0.5 m/s
Temperature	-40°C ÷ +100°C
Fluids	Hydraulic oils (mineral oil based). <i>For other fluids contact our technical department</i>

SURFACE ROUGHNESS

Dynamic surface	Ra ≤ 0.3 µm	Rt ≤ 2.5 µm
Static surface	Ra ≤ 1.6 µm	Rt ≤ 6.3 µm

GAP DIMENSION “g”

The largest gap dimension appearing in operation on the non-pressurised side:

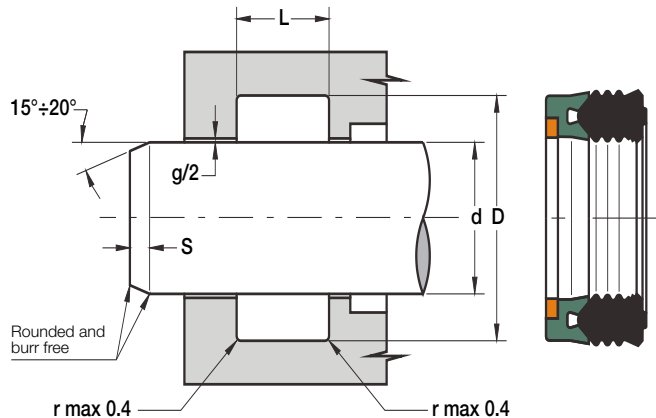
• 200 bar	0.80 mm
• 300 bar	0.65 mm
• 400 bar	0.50 mm
• 500 bar	0.40 mm

LEAD-IN CHAMFERS

d	S MIN
• less 100	5 mm
• 100÷200	7 mm
• over 200	10 mm

- to avoid damaging the sealing lips during installation, housing must have rounded chamfers. Sharp edges and burrs within the installation area of the seal must be removed

Part.	d ^{f7}	D ^{H10}	L ^{+0.25}
ADA 60 68 13	60	68.0	14.0
ADA 75 90 10	75	90.0	11.0
ADA 78 86 13	78	86.0	14.0
ADA 97 105 13	97	105.0	14.0
ADA 105 125 14.5	105	125.0	15.5
ADA 115 140 15	115	140.0	16.0
ADA 118 126 13	118	126.0	14.0
ADA 143 151 13	143	151.0	14.0
ADA 180 195 14	180	195.0	15.0



DESCRIPTION

Compact rod seal with active backup rings

MATERIAL OF SEAL RING

Type: Nitril Rubber NBR
Designation: RUBSEAL 75
Hardness: 75 °ShA

MATERIAL OF SUPPORT RING

Type: Thermoplastic polyester resin
Designation: SEALITE 63
Hardness: 63 °ShD

MATERIAL OF ANTI-EXTRUSION RING

Type: Acetal resin
Designation: BEARITE

MAIN FEATURES

The rod seal type SGA is composed of:

- A sealing rubber element with low permanent deformation which assures good sealing performance. Multiple sealing lips ensure perfect fluid control and concentrate load against the dynamic surface. The cavities keep small quantities of fluid reducing friction and wear.
- A support ring contoured to suit the main sealing rubber element. The special geometry assures that pressure loads the "V" shape
- An anti-extrusion ring which assures high pressure loads without any risk of extrusion.

- Very high resistance against extrusion
- Perfect fluid control
- Extended service life
- Excellent wear-resistance
- Good mechanical stability at high temperature
- Insensitive to pressure fluctuation and vibrations
- Easy installation without expensive auxiliaries

FIELD OF APPLICATION

Pressure	≤ 700 bar
Speed	≤ 0.5 m/s
Temperature	-40°C ÷ +110°C
Fluids	Hydraulic oils (mineral oil based). <i>For other fluids contact our technical department</i>

SURFACE ROUGHNESS

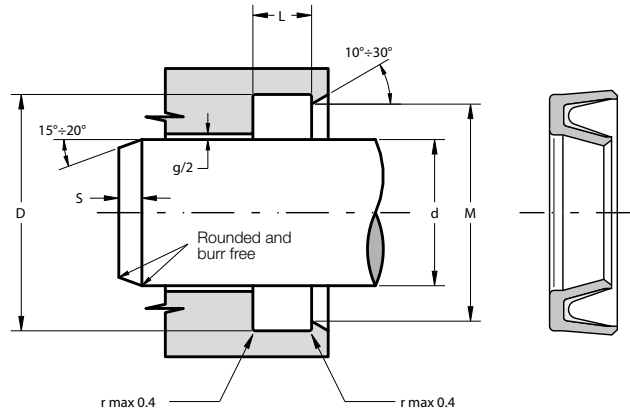
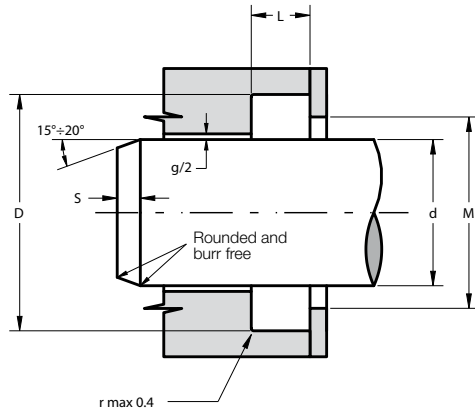
Dynamic surface	Ra ≤ 0.3 µm	Rt ≤ 2.5 µm
Static surface	Ra ≤ 1.6 µm	Rt ≤ 6.3 µm

LEAD-IN CHAMFERS

	d	S _{MIN}
• less 100		5 mm
• 100÷200		7 mm
• over 200		10 mm

- to avoid damaging the sealing lips during installation, housing must have rounded chamfers. Sharp edges and burrs within the installation area of the seal must be removed

Part.	d ^{f7}	D ^{H10}	L ^{+0.25}	g
SGA 30 43	30	43.0	20.0	0.4
SGA 45 60	45	60.0	22.5	0.4
SGA 60 77	60	77.0	27.0	0.4
SGA 70 90	70	90.0	30.0	0.4
SGA 95 115	95	115.0	28.0	0.4
SGA 110 130	110	130.0	32.5	0.4



DESCRIPTION

Single acting rod seal in PTFE with energizing metal spring inside

MATERIAL OF SEAL

Type: Polytetrafluoroethylene PTFE + carbon

Designation: SEALFLON + carbon

⇒ it can be provided with different materials according to working conditions

MATERIAL OF ENERGIIZING SPRING

Type: Stainless 1.4310

⇒ it can be provided with different materials according to working conditions

MAIN FEATURES

The AV is a single acting rod seal energized by a V-shaped metal spring resistant to corrosion.

The asymmetric profile, with appropriately designed dynamic lip, short and heavy, ensures a reduction of friction and a long operating life.

The inside metal spring ensures a tight seal even at low pressures.

The possibility of combining different materials for the two components, allows the use of the seal in various areas: hydraulic, chemical, pharmaceutical and food industries.

- High compatibility with nearly all fluids
- Low friction, even in the absence of lubrication
- High speed allowed
- No tendency of stick-slip
- Excellent sealing capability even at low pressure
- Good wear-resistance
- High temperature resistance
- Extended service life

INSTALLATION

This seal should be mounted preferably in open housing. The snap-in installation is only possible in special designed housing (see figure),

FIELD OF APPLICATION

Pressure ≤ 300 bar

Speed ≤ 15 m/s

Temperature -200°C ÷ +200°C

Fluids High compatibility with almost all fluids
(which do not attack the PTFE and Stainless)

SURFACE ROUGHNESS

Dynamic surface Ra ≤ 0.3 µm Rt ≤ 2.5 µm

Static surface Ra ≤ 1.6 µm Rt ≤ 6.3 µm

GAP DIMENSION "g"

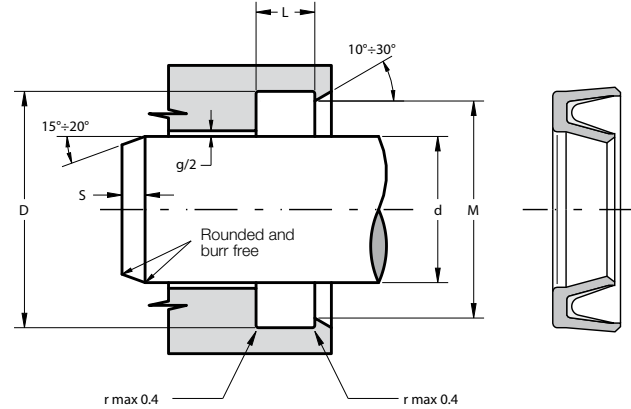
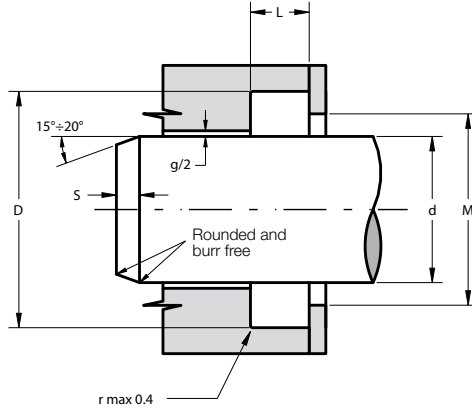
The largest gap dimension [mm] appearing in operation on the non-pressurised side:

L	100 BAR	200 BAR	300 BAR
2.4	0.20	0.16	0.13
3.6	0.30	0.20	0.17
4.8	0.40	0.30	0.22
7.1	0.50	0.40	0.30
9.5	0.60	0.50	0.35

LEAD-IN CHAMFERS

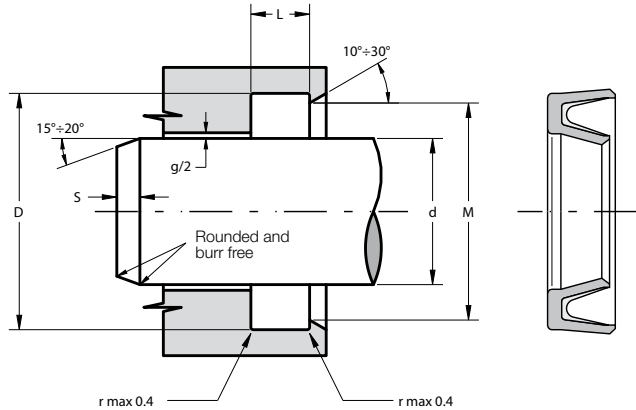
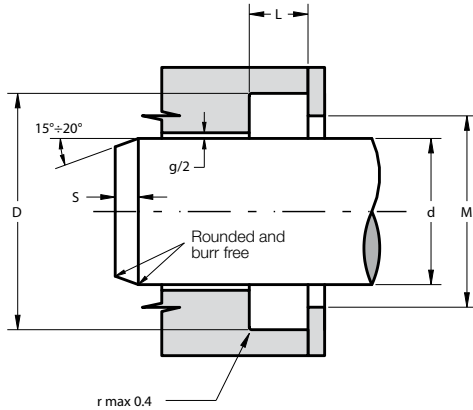
LEAD-IN CHAMFERS		LEAD-IN CHAMFERS	
L	s	L	s
2.4	2.0	7.1	5.0
3.6	2.5	9.5	6.5
4.8	3.5		

- to avoid damaging the seal during installation, housing must have rounded chamfers. Sharp edges and burrs within the installation area of the seal must be removed



Part.	d ^{h9}	D ^{H10}	L ^{+0.2}	M ^{max}
AV 5 7.9 2.4	5	7.9	2.4	7.1
AV 7 9.9 2.4	7	9.9	2.4	9.1
AV 8 10.9 2.4	8	10.9	2.4	10.1
AV 10 12.9 2.4	10	12.9	2.4	12.1
AV 12 16.5 3.6	12	16.5	3.6	15.3
AV 14 18.5 3.6	14	18.5	3.6	17.3
AV 15 19.5 3.6	15	19.5	3.6	18.3
AV 16 20.5 3.6	16	20.5	3.6	19.3
AV 17 21.5 3.6	17	21.5	3.6	20.3
AV 18 22.5 3.6	18	22.5	3.6	21.3
AV 20 24.5 3.6	20	24.5	3.6	23.3
AV 22 28.2 4.8	22	28.2	4.8	26.8
AV 24 30.2 4.8	24	30.2	4.8	28.8
AV 25 31.2 4.8	25	31.2	4.8	29.8
AV 26 32.2 4.8	26	32.2	4.8	30.8
AV 28 34.2 4.8	28	34.2	4.8	32.8
AV 30 36.2 4.8	30	36.2	4.8	34.8
AV 32 38.2 4.8	32	38.2	4.8	36.8
AV 35 41.2 4.8	35	41.2	4.8	39.8
AV 36 42.2 4.8	36	42.2	4.8	40.8
AV 37 43.2 4.8	37	43.2	4.8	41.8
AV 38 44.2 4.8	38	44.2	4.8	42.8
AV 40 46.2 4.8	40	46.2	4.8	44.8
AV 42 51.4 7.1	42	51.4	7.1	49.8
AV 45 54.4 7.1	45	54.4	7.1	52.8
AV 48 57.4 7.1	48	57.4	7.1	55.8

Part.	d ^{h9}	D ^{H10}	L ^{+0.2}	M ^{max}
AV 50 59.4 7.1	50	59.4	7.1	57.8
AV 52 61.4 7.1	52	61.4	7.1	59.8
AV 55 64.4 7.1	55	64.4	7.1	62.8
AV 58 67.4 7.1	58	67.4	7.1	65.8
AV 60 69.4 7.1	60	69.4	7.1	67.8
AV 65 74.4 7.1	65	74.4	7.1	72.8
AV 70 79.4 7.1	70	79.4	7.1	77.8
AV 75 84.4 7.1	75	84.4	7.1	82.8
AV 80 89.4 7.1	80	89.4	7.1	87.8
AV 85 94.4 7.1	85	94.4	7.1	92.8
AV 90 99.4 7.1	90	99.4	7.1	97.8
AV 95 104.4 7.1	95	104.4	7.1	102.8
AV 100 109.4 7.1	100	109.4	7.1	107.8
AV 110 119.4 7.1	110	119.4	7.1	117.8
AV 120 129.4 7.1	120	129.4	7.1	127.8
AV 125 137.2 9.5	125	137.2	9.5	135.4
AV 130 142.2 9.5	130	142.2	9.5	140.4
AV 140 152.2 9.5	140	152.2	9.5	150.4
AV 150 162.2 9.5	150	162.2	9.5	160.4
AV 155 167.2 9.5	155	167.2	9.5	165.4
AV 160 172.2 9.5	160	172.2	9.5	170.4
AV 170 182.2 9.5	170	182.2	9.5	180.4
AV 175 187.2 9.5	175	187.2	9.5	185.4
AV 180 192.2 9.5	180	192.2	9.5	190.4
AV 185 197.2 9.5	185	197.2	9.5	195.4
AV 190 202.2 9.5	190	202.2	9.5	200.4

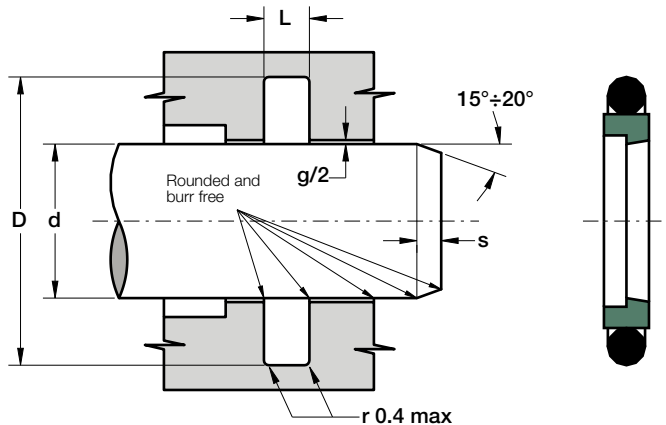


Part.	d ^{h9}	D ^{H10}	L ^{+0.2}	M ^{max}
AV 195 207.2 9.5	195	207.2	9.5	205.4
AV 200 212.2 9.5	200	212.2	9.5	210.4
AV 210 222.2 9.5	210	222.2	9.5	220.4
AV 220 232.2 9.5	220	232.2	9.5	230.4
AV 225 237.2 9.5	225	237.2	9.5	235.4
AV 230 242.2 9.5	230	242.2	9.5	240.4
AV 240 252.2 9.5	240	252.2	9.5	250.4
AV 250 262.2 9.5	250	262.2	9.5	260.4
AV 260 272.2 9.5	260	272.2	9.5	270.4
AV 270 282.2 9.5	270	282.2	9.5	280.4
AV 280 292.2 9.5	280	292.2	9.5	290.4
AV 290 302.2 9.5	290	302.2	9.5	300.4
AV 300 312.2 9.5	300	312.2	9.5	310.4
AV 310 322.2 9.5	310	322.2	9.5	320.4
AV 320 332.2 9.5	320	332.2	9.5	330.4
AV 330 342.2 9.5	330	342.2	9.5	340.4
AV 340 352.2 9.5	340	352.2	9.5	350.4
AV 350 362.2 9.5	350	362.2	9.5	360.4
AV 360 372.2 9.5	360	372.2	9.5	370.4
AV 370 382.2 9.5	370	382.2	9.5	380.4
AV 380 392.2 9.5	380	392.2	9.5	390.4
AV 390 402.2 9.5	390	402.2	9.5	400.4
AV 400 412.2 9.5	400	412.2	9.5	410.4
AV 420 432.2 9.5	420	432.2	9.5	430.4
AV 440 452.2 9.5	440	452.2	9.5	450.4
AV 450 462.2 9.5	450	462.2	9.5	460.4

Part.	d ^{h9}	D ^{H10}	L ^{+0.2}	M ^{max}
AV 460 472.2 9.5	460	472.2	9.5	470.4
AV 480 492.2 9.5	480	492.2	9.5	490.4
AV 500 512.2 9.5	500	512.2	9.5	510.4

Other sizes not present in the above table can be provided in according to the following scheme:

d ^{h9}	D ^{H10}	L ^{+0.2}	M ^{max}
5-10	d + 2.9	2.4	d + 2.1
>10-20	d + 4.5	3.6	d + 3.3
>20-40	d + 6.2	4.8	d + 4.8
>40-120	d + 9.4	7.1	d + 7.8
>120-500	d + 12.2	9.5	d + 10.4



DESCRIPTION

Single acting rod seal

MATERIAL ON DYNAMIC SURFACE

Type: Polytetrafluoroethylene + Bronze

Designation: SEALFLON + Bronze

⇒ it can be provided with different fillers according to applications

MATERIAL ON STATIC SURFACE

Type: Nitril Rubber NBR

Designation: RUBSEAL 70

Hardness: 70 °ShA

⇒ it can be provided with different materials according to working conditions

MAIN FEATURES

The rod seal type XB is composed of:

- A dynamic seal element which assures exceptional low friction and high speed performance, as well as high compatibility with nearly all media due to the chemical resistance which exceeds that of all other thermoplastics and elastomers
- A standard size O-Ring with low permanent deformation as energizing component on the static side

- Low static and dynamic friction
- High speed allowed
- No tendency of stick-slip
- Space-saving construction and simple groove design
- High compatibility with nearly all fluids (with the right choice of O-Ring material)
- High resistance against extrusion
- High temperature resistance

FIELD OF APPLICATION

Pressure	≤ 600 bar
Speed	≤ 15 m/s
Temperature	-30°C ÷ +130°C (with OR in NBR) -30°C ÷ +200°C (with OR in FKM)
Fluids	High compatibility with nearly all fluids (with the right choice of O-Ring material)

SURFACE ROUGHNESS

Dynamic surface	Ra ≤ 0.3 µm	Rt ≤ 2.5 µm
Static surface	Ra ≤ 1.6 µm	Rt ≤ 6.3 µm

GAP DIMENSION "g"

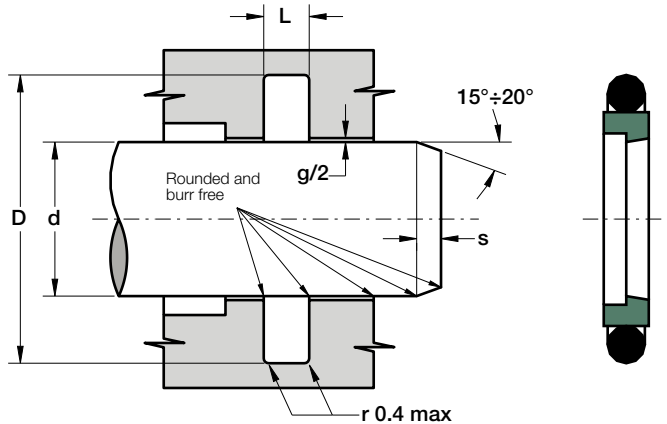
The largest gap dimension [mm] appearing in operation on the non-presurised side:

L	100 BAR	200 BAR	400 BAR
2.2	0.60	0.40	0.30
3.2	0.80	0.50	0.30
4.2	0.80	0.50	0.40
6.3	1.00	0.60	0.40
8.1	1.20	0.70	0.50
9.5	1.40	1.00	0.60
13.8	2.00	1.40	1.20
> 400 bar ⇒ $g_{max} = H8/f8$			

LEAD-IN CHAMFERS

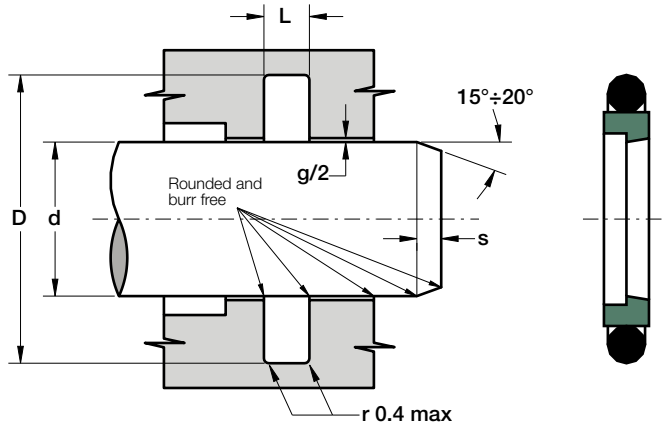
L	s	L	s
2.2	2.0	8.1	6.5
3.2	2.5	9.5	7.5
4.2	3.5	13.8	10.0
6.3	5.0		

- to avoid damaging the seal during installation, housing must have rounded chamfers. Sharp edges and burrs within the installation area of the seal must be removed



Part.	d ^{h9}	D ^{H10}	L ^{+0.2}	OR
XB 4 8.9 2.2	4	8.9	2.2	010
XB 5 9.9 2.2	5	9.9	2.2	010
XB 7 11.9 2.2	7	11.9	2.2	012
XB 8 15.3 3.2	8	15.3	3.2	111
XB 10 17.3 3.2	10	17.3	3.2	112
XB 12 19.3 3.2	12	19.3	3.2	114
XB 14 21.3 3.2	14	21.3	3.2	115
XB 15 22.3 3.2	15	22.3	3.2	116
XB 16 23.3 3.2	16	23.3	3.2	116
XB 17 24.3 3.2	17	24.3	3.2	117
XB 18 25.3 3.2	18	25.3	3.2	117
XB 20 30.7 4.2	20	30.7	4.2	214
XB 22 32.7 4.2	22	32.7	4.2	215
XB 24 34.7 4.2	24	34.7	4.2	216
XB 25 35.7 4.2	25	35.7	4.2	217
XB 26 36.7 4.2	26	36.7	4.2	218
XB 28 38.7 4.2	28	38.7	4.2	219
XB 30 40.7 4.2	30	40.7	4.2	220
XB 32 42.7 4.2	32	42.7	4.2	221
XB 35 45.7 4.2	35	45.7	4.2	222
XB 36 46.7 4.2	36	46.7	4.2	223
XB 37 47.7 4.2	37	47.7	4.2	223
XB 38 53.1 6.3	38	53.1	6.3	327
XB 40 55.1 6.3	40	55.1	6.3	328
XB 42 57.1 6.3	42	57.1	6.3	328

Part.	d ^{h9}	D ^{H10}	L ^{+0.2}	OR
XB 45 60.1 6.3	45	60.1	6.3	329
XB 48 63.1 6.3	48	63.1	6.3	330
XB 50 65.1 6.3	50	65.1	6.3	331
XB 52 67.1 6.3	52	67.1	6.3	331
XB 55 70.1 6.3	55	70.1	6.3	332
XB 58 73.1 6.3	58	73.1	6.3	333
XB 60 75.1 6.3	60	75.1	6.3	334
XB 65 80.1 6.3	65	80.1	6.3	335
XB 70 85.1 6.3	70	85.1	6.3	337
XB 75 90.1 6.3	75	90.1	6.3	339
XB 80 95.1 6.3	80	95.1	6.3	340
XB 85 100.1 6.3	85	100.1	6.3	342
XB 90 105.1 6.3	90	105.1	6.3	343
XB 95 110.1 6.3	95	110.1	6.3	345
XB 100 115.1 6.3	100	115.1	6.3	346
XB 110 125.1 6.3	110	125.1	6.3	350
XB 120 135.1 6.3	120	135.1	6.3	353
XB 125 140.1 6.3	125	140.1	6.3	354
XB 130 145.1 6.3	130	145.1	6.3	356
XB 140 155.1 6.3	140	155.1	6.3	359
XB 150 165.1 6.3	150	165.1	6.3	361
XB 155 170.1 6.3	155	160.1	6.3	362
XB 160 175.1 6.3	160	175.1	6.3	363
XB 170 185.1 6.3	170	185.1	6.3	365
XB 175 190.1 6.3	175	190.1	6.3	366
XB 180 195.1 6.3	180	195.1	6.3	366
XB 185 200.1 6.3	185	200.1	6.3	367
XB 190 205.1 6.3	190	205.1	6.3	368
XB 195 210.1 6.3	195	210.1	6.3	368
XB 200 220.5 8.1	200	220.5	8.1	674
XB 210 230.5 8.1	210	230.5	8.1	446
XB 220 240.5 8.1	220	240.5	8.1	447
XB 225 245.5 8.1	225	245.5	8.1	447
XB 230 250.5 8.1	230	250.5	8.1	448
XB 240 260.5 8.1	240	260.5	8.1	448
XB 250 270.5 8.1	250	270.5	8.1	449
XB 260 284.0 8.1	260	284.0	8.1	450
XB 270 294.0 8.1	270	294.0	8.1	451
XB 280 304.0 8.1	280	304.0	8.1	452
XB 290 314.0 8.1	290	314.0	8.1	453



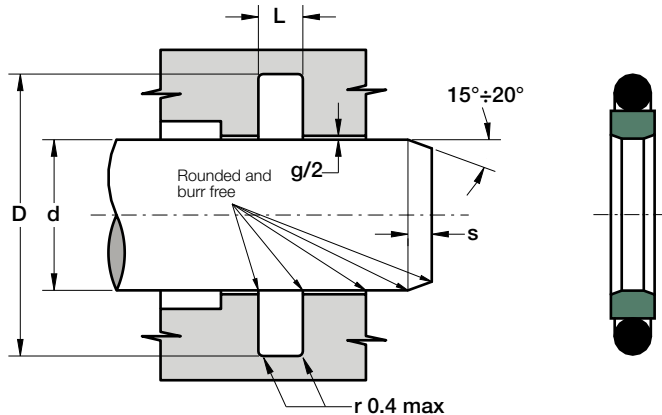
Part.	d ^{h9}	D ^{H10}	L ^{+0.2}	OR
XB 300 324.0 8.1	300	324.0	8.1	454
XB 310 334.0 8.1	310	334.0	8.1	454
XB 320 344.0 8.1	320	344.0	8.1	455
XB 330 354.0 8.1	330	354.0	8.1	456
XB 340 364.0 8.1	340	364.0	8.1	457
XB 350 374.0 8.1	350	374.0	8.1	458
XB 360 384.0 8.1	360	384.0	8.1	458
XB 370 394.0 8.1	370	394.0	8.1	459
XB 380 404.0 8.1	380	404.0	8.1	460
XB 390 414.0 8.1	390	414.0	8.1	461
XB 400 424.0 8.1	400	424.0	8.1	461
XB 420 444.0 8.1	420	444.0	8.1	463
XB 440 464.0 8.1	440	464.0	8.1	464
XB 450 474.0 8.1	450	474.0	8.1	465
XB 460 484.0 8.1	460	484.0	8.1	466
XB 480 504.0 8.1	480	504.0	8.1	468
XB 500 524.0 8.1	500	524.0	8.1	469

Other sizes not present in the above table can be provided in according to the following scheme:

d			D	L	S. OR
Light series	Standard series	Heavy series			
8 ÷ 18.9	3 ÷ 7.9		d + 4.90	2.2	1.78
19 ÷ 37.9	8 ÷ 18.9		d + 7.30	3.2	2.62
38 ÷ 199.9	19 ÷ 37.9	8 ÷ 18.9	d + 10.7	4.2	3.53
200 ÷ 255.9	38 ÷ 199.9	19 ÷ 37.9	d + 15.1	6.3	5.34
256 ÷ 649.9	200 ÷ 255.9	38 ÷ 199.9	d + 20.5	8.1	6.99
650 ÷ 999.9	256 ÷ 649.9	200 ÷ 255.9	d + 24.0	8.1	6.99
	650 ÷ 999.9	256 ÷ 649.9	d + 27.3	9.5	8.40
	> 1000		d + 38.0	13.8	12.0

XAB

DOUBLE ACTING ROD SEAL



DESCRIPTION

Double acting rod seal

MATERIAL ON DYNAMIC SURFACE

Type: Polytetrafluoroethylene + Bronze

Designation: SEALFLON + Bronze

⇒ it can be provided with different fillers according to applications

MATERIAL ON STATIC SURFACE

Type: Nitril Rubber NBR

Designation: RUBSEAL 70

Hardness: 70 °ShA

⇒ it can be provided with different materials according to working conditions

MAIN FEATURES

The rod seal type XAB is composed of:

- A dynamic seal element which assures exceptional low friction and high speed performance, as well as high compatibility with nearly all media due to the chemical resistance which exceeds that of all other thermoplastics and elastomers.
- A standard size O-Ring with low permanent deformation as energizing component on the static side
- Low static and dynamic friction
- High speed allowed
- No tendency of stick-slip
- Space-saving construction and simple groove design
- High compatibility with nearly all fluids (with the right choice of O-Ring material)
- High resistance against extrusion
- High temperature resistance

FIELD OF APPLICATION

Pressure	≤ 600 bar
Speed	≤ 15 m/s
Temperature	-30°C ÷ +130°C (with OR in NBR) -30°C ÷ +200°C (with OR in FKM)
Fluids	High compatibility with nearly all fluids (with the right choice of O-Ring material)

SURFACE ROUGHNESS

Dynamic surface	Ra ≤ 0.3 µm	Rt ≤ 2.5 µm
Static surface	Ra ≤ 1.6 µm	Rt ≤ 6.3 µm

GAP DIMENSION "g"

The largest gap dimension [mm] appearing in operation on the non-pressurised side:

L	100 BAR	200 BAR	400 BAR
2.2	0.60	0.40	0.30
3.2	0.80	0.50	0.30
4.2	0.80	0.50	0.40
6.3	1.00	0.60	0.40
8.1	1.20	0.70	0.50
9.5	1.40	1.00	0.60
13.8	2.00	1.40	1.20
> 400 bar ⇒ $g_{max} = H8/f8$			

LEAD-IN CHAMFERS

L	s
2.2	2.0
3.2	2.5
4.2	3.5
6.3	5.0

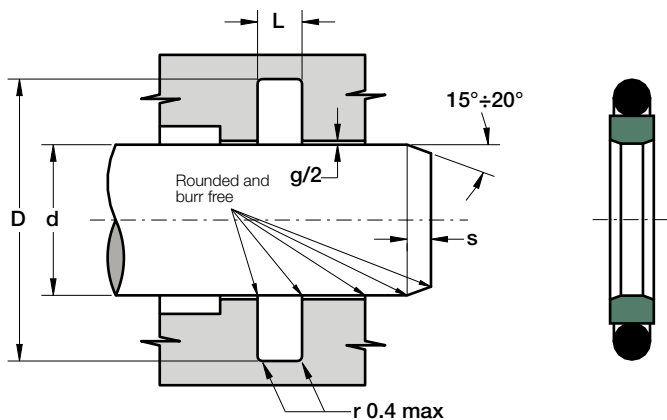
LEAD-IN CHAMFERS

L	s
8.1	6.5
9.5	7.5
13.8	10.0

- to avoid damaging the seal during installation, housing must have rounded chamfers. Sharp edges and burrs within the installation area of the seal must be removed

XAB

DOUBLE ACTING ROD SEAL

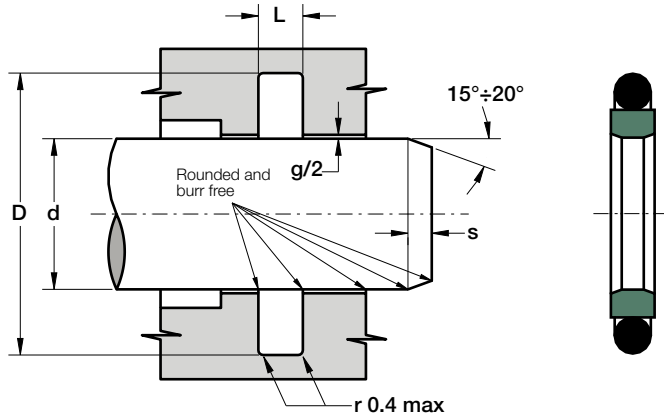


Part.	d ^{h9}	D ^{H10}	L ^{+0.2}	OR
XAB 4 8.9 2.2	4	8.9	2.2	010
XAB 5 9.9 2.2	5	9.9	2.2	010
XAB 7 11.9 2.2	7	11.9	2.2	012
XAB 8 15.3 3.2	8	15.3	3.2	111
XAB 10 17.3 3.2	10	17.3	3.2	112
XAB 12 19.3 3.2	12	19.3	3.2	114
XAB 14 21.3 3.2	14	21.3	3.2	115
XAB 15 22.3 3.2	15	22.3	3.2	116
XAB 16 23.3 3.2	16	23.3	3.2	116
XAB 17 24.3 3.2	17	24.3	3.2	117
XAB 18 25.3 3.2	18	25.3	3.2	117
XAB 20 30.7 4.2	20	30.7	4.2	214
XAB 22 32.7 4.2	22	32.7	4.2	215
XAB 24 34.7 4.2	24	34.7	4.2	216
XAB 25 35.7 4.2	25	35.7	4.2	217
XAB 26 36.7 4.2	26	36.7	4.2	218
XAB 28 38.7 4.2	28	38.7	4.2	219
XAB 30 40.7 4.2	30	40.7	4.2	220
XAB 32 42.7 4.2	32	42.7	4.2	221
XAB 35 45.7 4.2	35	45.7	4.2	222
XAB 36 46.7 4.2	36	46.7	4.2	223
XAB 37 47.7 4.2	37	47.7	4.2	223
XAB 38 53.1 6.3	38	53.1	6.3	327
XAB 40 55.1 6.3	40	55.1	6.3	328

Part.	d ^{h9}	D ^{H10}	L ^{+0.2}	OR
XAB 42 57.1 6.3	42	57.1	6.3	328
XAB 45 60.1 6.3	45	60.1	6.3	329
XAB 48 63.1 6.3	48	63.1	6.3	330
XAB 50 65.1 6.3	50	65.1	6.3	331
XAB 52 67.1 6.3	52	67.1	6.3	331
XAB 55 70.1 6.3	55	70.1	6.3	332
XAB 58 73.1 6.3	58	73.1	6.3	333
XAB 60 75.1 6.3	60	75.1	6.3	334
XAB 65 80.1 6.3	65	80.1	6.3	335
XAB 70 85.1 6.3	70	85.1	6.3	337
XAB 75 90.1 6.3	75	90.1	6.3	339
XAB 80 95.1 6.3	80	95.1	6.3	340
XAB 85 100.1 6.3	85	100.1	6.3	342
XAB 90 105.1 6.3	90	105.1	6.3	343
XAB 95 110.1 6.3	95	110.1	6.3	345
XAB 100 115.1 6.3	100	115.1	6.3	346
XAB 110 125.1 6.3	110	125.1	6.3	350
XAB 120 135.1 6.3	120	135.1	6.3	353
XAB 125 140.1 6.3	125	140.1	6.3	354
XAB 130 145.1 6.3	130	145.1	6.3	356
XAB 140 155.1 6.3	140	155.1	6.3	359
XAB 150 165.1 6.3	150	165.1	6.3	361
XAB 155 170.1 6.3	155	170.1	6.3	362
XAB 160 175.1 6.3	160	175.1	6.3	363
XAB 170 185.1 6.3	170	185.1	6.3	365
XAB 175 190.1 6.3	175	190.1	6.3	366
XAB 180 195.1 6.3	180	195.1	6.3	366
XAB 185 200.1 6.3	185	200.1	6.3	367
XAB 190 205.1 6.3	190	205.1	6.3	368
XAB 195 210.1 6.3	195	210.1	6.3	368
XAB 200 220.5 8.1	200	220.5	8.1	674
XAB 210 230.5 8.1	210	230.5	8.1	446
XAB 220 240.5 8.1	220	240.5	8.1	447
XAB 225 245.5 8.1	225	245.5	8.1	447
XAB 230 250.5 8.1	230	250.5	8.1	448
XAB 240 260.5 8.1	240	260.5	8.1	448
XAB 250 270.5 8.1	250	270.5	8.1	449
XAB 260 284.0 8.1	260	284.0	8.1	450
XAB 270 294.0 8.1	270	294.0	8.1	451
XAB 280 304.0 8.1	280	304.0	8.1	452

XAB

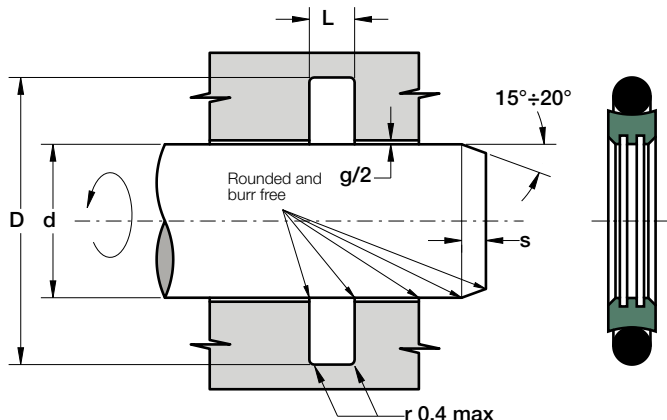
DOUBLE ACTING ROD SEAL



Part.	d ^{h9}	D ^{H10}	L ^{+0.2}	OR
XAB 290 314.0 8.1	290	314.0	8.1	453
XAB 300 324.0 8.1	300	324.0	8.1	454
XAB 310 334.0 8.1	310	334.0	8.1	454
XAB 320 344.0 8.1	320	344.0	8.1	455
XAB 330 354.0 8.1	330	354.0	8.1	456
XAB 340 364.0 8.1	340	364.0	8.1	457
XAB 350 374.0 8.1	350	374.0	8.1	458
XAB 360 384.0 8.1	360	384.0	8.1	458
XAB 370 394.0 8.1	370	394.0	8.1	459
XAB 380 404.0 8.1	380	404.0	8.1	460
XAB 390 414.0 8.1	390	414.0	8.1	461
XAB 400 424.0 8.1	400	424.0	8.1	461
XAB 420 444.0 8.1	420	444.0	8.1	463
XAB 440 464.0 8.1	440	464.0	8.1	464
XAB 450 474.0 8.1	450	474.0	8.1	465
XAB 460 484.0 8.1	460	484.0	8.1	466
XAB 480 504.0 8.1	480	504.0	8.1	468
XAB 500 524.0 8.1	500	524.0	8.1	469

Other sizes not present in the above table can be provided in according to the following scheme:

d			D	L	S. OR
Light series	Standard series	Heavy series			
8 ÷ 18.9	3 ÷ 7.9		d + 4.90	2.2	1.78
19 ÷ 37.9	8 ÷ 18.9		d + 7.30	3.2	2.62
38 ÷ 199.9	19 ÷ 37.9	8 ÷ 18.9	d + 10.7	4.2	3.53
200 ÷ 255.9	38 ÷ 199.9	19 ÷ 37.9	d + 15.1	6.3	5.34
256 ÷ 649.9	200 ÷ 255.9	38 ÷ 199.9	d + 20.5	8.1	6.99
650 ÷ 999.9	256 ÷ 649.9	200 ÷ 255.9	d + 24.0	8.1	6.99
	650 ÷ 999.9	256 ÷ 649.9	d + 27.3	9.5	8.40
	> 1000		d + 38.0	13.8	12.0



DESCRIPTION

Double acting seal for rotating rod

MATERIAL ON DYNAMIC SURFACE

Type: Polytetrafluoroethylene + Bronze

Designation: SEALFLON + Bronze

⇒ it can be provided with different fillers according to applications

MATERIAL ON STATIC SURFACE

Type: Nitril Rubber NBR

Designation: RUBSEAL 70

Hardness: 70 °ShA

⇒ it can be provided with different materials according to working conditions

MAIN FEATURES

The rod seal type XRB, used preferably for hydraulic joints and rotary joints, is composed of:

- A dynamic seal element which assures exceptional low friction and high speed performance, as well as high compatibility with nearly all media due to the chemical resistance which exceeds that of all other thermoplastics and elastomers
- A standard size O-Ring with low permanent deformation as energizing component on the static side

- Low static and dynamic friction
- High speed allowed
- No tendency of stick-slip
- Can also work for single action
- Space-saving construction and simple groove design
- High compatibility with nearly all fluids (with the right choice of O-Ring material)
- High resistance against extrusion
- High temperature resistance

FIELD OF APPLICATION

Pressure	≤ 400 bar
Speed	≤ 1 m/s (lubricated and continuous)
(rotating)	≤ 5 m/s (intermittent)
Temperature	-30°C ÷ +130°C (with OR in NBR)
	-30°C ÷ +200°C (with OR in FKM)
Fluids	High compatibility with nearly all fluids (with the right choice of O-Ring material)

SURFACE ROUGHNESS

Dynamic surface	Ra ≤ 0.3 µm	Rt ≤ 2.5 µm
Static surface	Ra ≤ 1.6 µm	Rt ≤ 6.3 µm

GAP DIMENSION "g"

The largest gap dimension [mm] appearing in operation on the non-pressurised side:

L	100 BAR	200 BAR	300 BAR
2.2	0.30	0.20	0.10
3.2	0.50	0.30	0.20
4.2	0.50	0.30	0.20
6.3	0.60	0.40	0.30
8.1	0.60	0.40	0.30
9.5	0.90	0.60	0.50
≥ 400 bar ⇒ $g_{max} = H8/f8$			

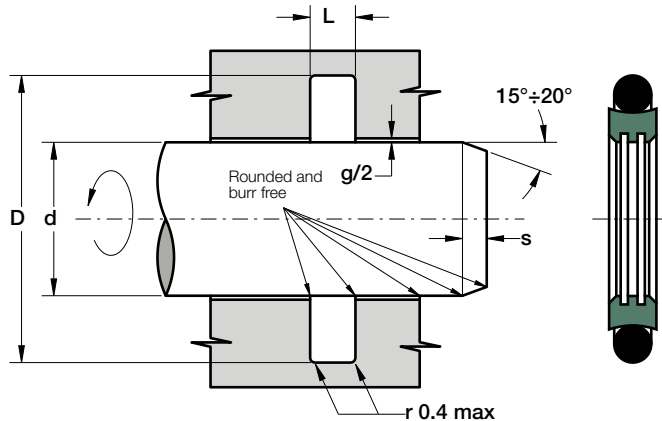
LEAD-IN CHAMFERS

L	S	L	S
2.2	2.0	6.3	5.0
3.2	2.5	8.1	6.5
4.2	3.5	9.5	7.5

- to avoid damaging the seal during installation, housing must have rounded chamfers. Sharp edges and burrs within the installation area of the seal must be removed

XRB

DOUBLE ACTING SEAL
FOR ROTATING ROD

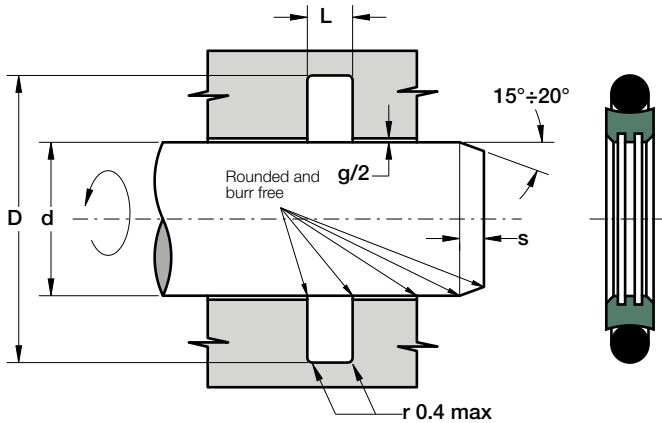


Part.	d ^{f8}	D ^{H9}	L ^{+0.2}	OR
XRB 6 10.9 2.2	6	10.9	2.2	011
XRB 8 12.9 2.2	8	12.9	2.2	012
XRB 10 14.9 2.2	10	14.9	2.2	013
XRB 12 16.9 2.2	12	16.9	2.2	015
XRB 14 18.9 2.2	14	18.9	2.2	016
XRB 15 19.9 2.2	15	19.9	2.2	017
XRB 16 20.9 2.2	16	20.9	2.2	017
XRB 18 22.9 2.2	18	22.9	2.2	019
XRB 20 27.5 3.2	20	27.5	3.2	119
XRB 22 29.5 3.2	22	29.5	3.2	120
XRB 25 32.5 3.2	25	32.5	3.2	122
XRB 28 35.5 3.2	28	35.5	3.2	124
XRB 30 37.5 3.2	30	37.5	3.2	125
XRB 32 39.5 3.2	32	39.5	3.2	126
XRB 35 42.5 3.2	35	42.5	3.2	128
XRB 36 43.5 3.2	36	43.5	3.2	129
XRB 40 51 4.2	40	51	4.2	224
XRB 42 53 4.2	42	53	4.2	828
XRB 45 56 4.2	45	56	4.2	830
XRB 48 59 4.2	48	59	4.2	832
XRB 50 61 4.2	50	61	4.2	833
XRB 52 63 4.2	52	63	4.2	228
XRB 55 66 4.2	55	66	4.2	836

Part.	d ^{f8}	D ^{H9}	L ^{+0.2}	OR
XRB 56 67 4.2	56	67	4.2	229
XRB 60 71 4.2	60	71	4.2	839
XRB 63 74 4.2	63	74	4.2	841
XRB 65 76 4.2	65	76	4.2	232
XRB 70 81 4.2	70	81	4.2	846
XRB 75 86 4.2	75	86	4.2	235
XRB 80 91 4.2	80	91	4.2	236
XRB 85 96 4.2	85	96	4.2	238
XRB 90 101 4.2	90	101	4.2	240
XRB 95 106 4.2	95	106	4.2	241
XRB 100 111 4.2	100	111	4.2	242
XRB 105 116 4.2	105	116	4.2	244
XRB 110 121 4.2	110	121	4.2	246
XRB 115 126 4.2	115	126	4.2	247
XRB 120 131 4.2	120	131	4.2	249
XRB 125 136 4.2	125	136	4.2	250
XRB 130 141 4.2	130	141	4.2	252
XRB 135 146 4.2	135	146	4.2	254
XRB 140 151 4.2	140	151	4.2	255
XRB 145 156 4.2	145	156	4.2	257
XRB 150 161 4.2	150	161	4.2	258
XRB 160 171 4.2	160	171	4.2	259
XRB 170 181 4.2	170	181	4.2	261
XRB 180 191 4.2	180	191	4.2	263
XRB 190 201 4.2	190	201	4.2	264
XRB 200 215.5 6.3	200	215.5	6.3	369
XRB 210 225.5 6.3	210	225.5	6.3	371
XRB 220 235.5 6.3	220	235.5	6.3	373
XRB 240 255.5 6.3	240	255.5	6.3	376
XRB 250 265.5 6.3	250	265.5	6.3	377
XRB 280 301 8.1	280	301	8.1	452
XRB 300 321 8.1	300	321	8.1	453
XRB 320 341 8.1	320	341	8.1	455
XRB 350 371 8.1	350	371	8.1	457
XRB 360 381 8.1	360	381	8.1	458
XRB 400 421 8.1	400	421	8.1	461
XRB 420 441 8.1	420	441	8.1	462
XRB 450 471 8.1	450	471	8.1	465
XRB 480 501 8.1	480	501	8.1	467
XRB 500 521 8.1	500	521	8.1	469

XRB

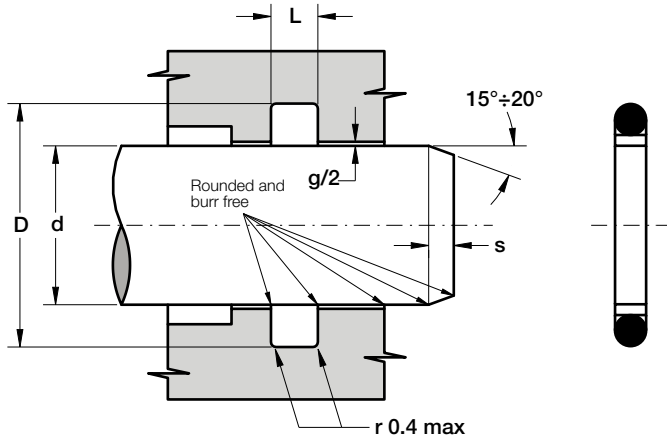
DOUBLE ACTING SEAL
FOR ROTATING ROD



Part.	d ^{f8}	D ^{H9}	L ^{+0.2}	OR
XRB 520 541 8.1	520	541	8.1	470
XRB 550 571 8.1	550	571	8.1	471
XRB 600 621 8.1	600	621	8.1	473
XRB 650 678 9.5	650	678	9.5	660x8.4
XRB 700 728 9.5	700	728	9.5	710x8.4
XRB 750 778 9.5	750	778	9.5	760x8.4

Other sizes not present in the above table can be provided in according to the following scheme:

d	D	L	S. OR
6 ÷ 18.9	d + 4.9	2.20	1.78
19 ÷ 37.9	d + 7.5	3.20	2.62
38 ÷ 199.9	d + 11.0	4.20	3.53
200 ÷ 255.9	d + 15.5	6.30	5.34
256 ÷ 649.9	d + 21.0	8.10	6.99
650 ÷ 999.9	d + 28.0	9.50	8.40



DESCRIPTION

Double acting rod seal

MATERIAL ON DYNAMIC SURFACE

Type: Polytetrafluoroethylene + carbon

Designation: SEALFLON

⇒ it can be provided with different fillers according to applications

MATERIAL ON STATIC SURFACE

Type: Nitril Rubber NBR

Designation: RUBSEAL 70

Hardness: 70 °ShA

⇒ it can be provided with different materials according to working conditions

MAIN FEATURES

The rod seal type XL, mainly suitable for low pressure conditions or pneumatic field, is composed of:

- A dynamic seal element which assures exceptional low friction and high speed performance, as well as high compatibility with nearly all media due to the chemical resistance which exceeds that of all other thermoplastics and elastomers.
- A standard size O-Ring with low permanent deformation as energizing component on the static side

- Low static and dynamic friction, also without lubrication
- No tendency of stick-slip
- Space-saving construction and simple groove design
- Good resistance against extrusion
- High compatibility with nearly all fluids (with the right choice of O-Ring material)
- High speed allowed
- High temperature resistance

FIELD OF APPLICATION

Pressure	≤ 160 bar
Speed	≤ 2 m/s
Temperature	-30°C ÷ +130°C (with OR in NBR) -30°C ÷ +200°C (with OR in FKM)
Fluids	High compatibility with nearly all fluids (with the right choice of O-Ring material)

SURFACE ROUGHNESS

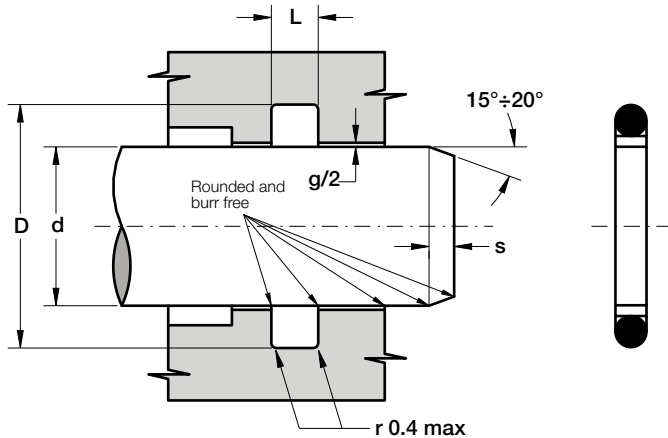
Dynamic surface	Ra ≤ 0.3 µm	Rt ≤ 2.5 µm
Static surface	Ra ≤ 1.6 µm	Rt ≤ 6.3 µm

GAP DIMENSION "g"

The largest gap dimension appearing in operation on the non-pressurised side must comply with the ISO f7/H8:

LEAD-IN CHAMFERS		LEAD-IN CHAMFERS	
L	s	L	s
2	3.0	6	6.0
3	3.5	8	8.0
4	4.5		

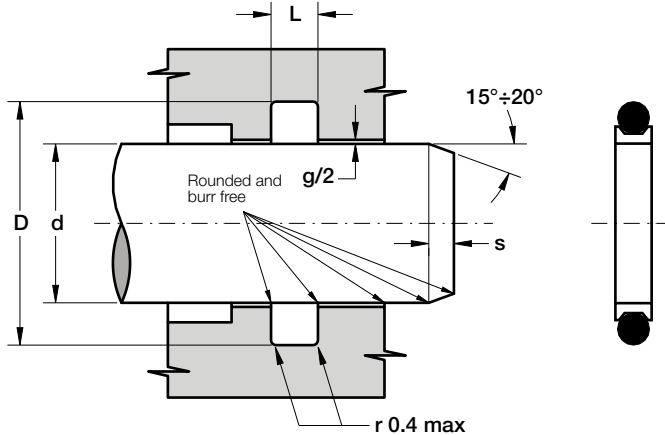
- to avoid damaging the seal during installation, housing must have rounded chamfers. Sharp edges and burrs within the installation area of the seal must be removed



Part.	d ^{f7}	D ^{H9}	L ^{+0.2}	OR
XL 610-5	5	9.5	2	610
XL 011-6	6	10.5	2	011
XL 012-8	8	12.5	2	012
XL 614-10	10	16.2	3	614
XL 113-12	12	18.2	3	113
XL 114-14	14	20.2	3	114
XL 809-15	15	21.1	3	809
XL 617-16	16	22.2	3	617
XL 116-18	18	24.1	3	116
XL 118-20	20	26.2	3	118
XL 119-22	22	28.2	3	119
XL 121-25	25	31.2	3	121
XL 217-28	28	36.0	4	217
XL 218-30	30	38.0	4	218
XL 219-32	32	39.9	4	219
XL 221-35	35	42.9	4	221
XL 824-38	38	46.0	4	824
XL 825-40	40	48.0	4	825
XL 224-42	42	50.0	4	224
XL 225-45	45	53.0	4	225
XL 329-50	50	61.6	6	329
XL 331-55	55	66.7	6	331
XL 331-56	56	67.6	6	331
XL 333-60	60	71.7	6	333

Part.	d ^{f7}	D ^{H9}	L ^{+0.2}	OR
XL 334-63	63	74.7	6	334
XL 334-65	65	76.6	6	334
XL 336-70	70	81.7	6	336
XL 338-75	75	87.1	6	338
XL 339-80	80	92.1	6	339
XL 341-85	85	97.1	6	341
XL 342-90	90	102.1	6	342
XL 344-95	95	107.1	6	344
XL 345-100	100	112.1	6	345
XL 348-110	110	122.0	6	348
XL 428-120	120	135.5	8	428
XL 429-125	125	140.5	8	429
XL 431-130	130	145.5	8	431
XL 434-140	140	155.5	8	434
XL 437-150	150	165.5	8	437
XL 439-160	160	175.5	8	439
XL 878-170	170	186.3	8	878
XL 442-180	180	196.3	8	442
XL 884-190	190	206.3	8	884
XL 445-200	200	216.3	8	445
XL 449-250	250	266.3	8	449
XL 686-280	280	296.3	8	686
XL 453-300	300	316.3	8	453

Other sizes not present in the above table can be provided on request



DESCRIPTION

Double acting rod seal

MATERIAL ON DYNAMIC SURFACE

Type: Polytetrafluoroethylene

Designation: SEALFLON

⇒ it can be provided with different fillers according to applications

MATERIAL ON STATIC SURFACE

Type: Nitril Rubber NBR

Designation: RUBSEAL 70

Hardness: 70 °ShA

⇒ it can be provided with different materials according to working conditions

MAIN FEATURES

The rod seal type XC, mainly suitable for low pressure conditions or pneumatic field, is composed of:

- A dynamic seal element which assures exceptional low friction and high speed performance, as well as high compatibility with nearly all media due to the chemical resistance which exceeds that of all other thermoplastics and elastomers.
- A standard size O-Ring with low permanent deformation as energizing component on the static side

- Low static and dynamic friction, also without lubrication
- No tendency of stick-slip
- Space-saving construction and simple groove design
- Good resistance against extrusion
- High compatibility with nearly all fluids (with the right choice of O-Ring material)
- High speed allowed
- High temperature resistance

FIELD OF APPLICATION

Pressure	≤ 210 bar
Speed	≤ 4 m/s
Temperature	-30°C ÷ +130°C (with OR in NBR) -30°C ÷ +200°C (with OR in FKM)
Fluids	High compatibility with nearly all fluids (with the right choice of O-Ring material)

SURFACE ROUGHNESS

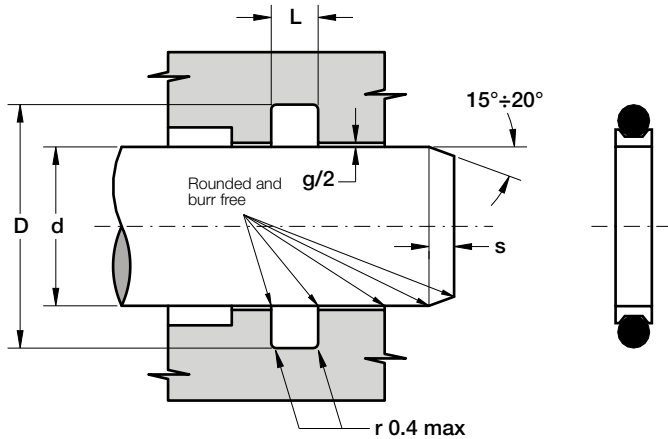
Dynamic surface	Ra ≤ 0.3 µm	Rt ≤ 2.5 µm
Static surface	Ra ≤ 1.6 µm	Rt ≤ 6.3 µm

GAP DIMENSION "g"

The largest gap dimension appearing in operation on the non-pressurised side must comply with the ISO f7/H8:

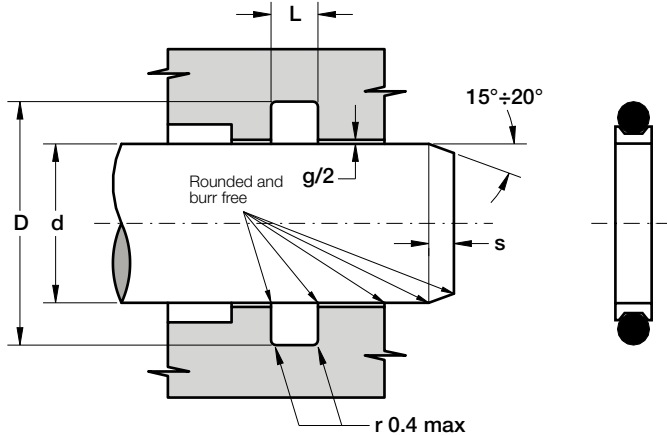
LEAD-IN CHAMFERS		LEAD-IN CHAMFERS	
L	s	L	s
2.5	2.0	7.0	4.0
3.5	2.5	9.5	5.0
4.5	3.0		

- to avoid damaging the seal during installation, housing must have rounded chamfers. Sharp edges and burrs within the installation area of the seal must be removed



Part.	d ^{f7}	D ^{H9}	L ^{+0.2}	OR
XC 007-3	3	6.5	2.5	007
XC 008-4	4	7.5	2.5	008
XC 009-5	5	8.5	2.5	009
XC 010-6	6	9.5	2.5	010
XC 011-8	8	11.5	2.5	011
XC 012-10	10	13.5	2.5	012
XC 110-9	9	14.5	3.5	110
XC 111-11	11	16.5	3.5	111
XC 112-12	12	17.5	3.5	112
XC 113-14	14	19.5	3.5	113
XC 114-15	15	20.5	3.5	114
XC 115-17	17	22.5	3.5	115
XC 210-19	19	26.1	4.5	210
XC 211-20	20	27.1	4.5	211
XC 212-22	22	29.1	4.5	212
XC 213-23	23	30.1	4.5	213
XC 214-25	25	32.1	4.5	214
XC 215-27	27	34.1	4.5	215
XC 216-28	28	35.1	4.5	216
XC 217-30	30	37.1	4.5	217
XC 218-31	31	38.1	4.5	218
XC 219-33	33	40.1	4.5	219
XC 220-35	35	42.1	4.5	220
XC 221-36	36	43.1	4.5	221

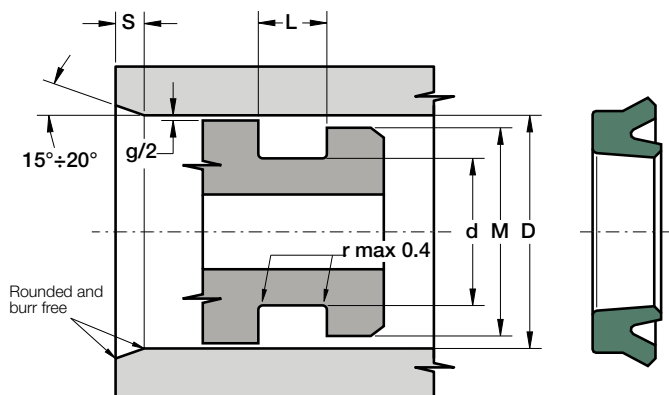
Part.	d ^{f7}	D ^{H9}	L ^{+0.2}	OR
XC 325-38	38	48.4	7.0	325
XC 326-40	40	50.4	7.0	326
XC 327-45	45	55.4	7.0	327
XC 328-47	47	57.4	7.0	328
XC 329-50	50	60.4	7.0	329
XC 330-53	53	63.4	7.0	330
XC 331-57	57	67.4	7.0	331
XC 332-60	60	70.4	7.0	332
XC 333-63	63	73.4	7.0	333
XC 334-66	66	76.4	7.0	334
XC 335-70	70	80.4	7.0	335
XC 336-73	73	83.4	7.0	336
XC 337-75	75	85.4	7.0	337
XC 338-80	80	90.4	7.0	338
XC 339-82	82	92.4	7.0	339
XC 340-85	85	95.4	7.0	340
XC 341-90	90	100.4	7.0	341
XC 342-92	92	102.4	7.0	342
XC 343-95	95	105.4	7.0	343
XC 344-98	98	108.4	7.0	344
XC 345-100	100	110.4	7.0	345
XC 346-104	104	114.4	7.0	346
XC 347-107	107	117.4	7.0	347
XC 348-111	111	121.4	7.0	348
XC 425-114	114	127.7	9.5	425
XC 426-117	117	130.7	9.5	426
XC 427-120	120	133.7	9.5	427
XC 428-123	123	136.7	9.5	428
XC 429-126	126	139.7	9.5	429
XC 430-130	130	143.7	9.5	430
XC 431-133	133	146.7	9.5	431
XC 432-136	136	149.7	9.5	432
XC 433-139	139	152.7	9.5	433
XC 434-142	142	155.7	9.5	434
XC 435-145	145	158.7	9.5	435
XC 436-149	149	162.7	9.5	436
XC 437-152	152	165.7	9.5	437
XC 438-158	158	171.7	9.5	438
XC 439-165	165	178.7	9.5	439
XC 440-170	170	183.7	9.5	440



Part.	d ^{f7}	D ^{H9}	L ^{+0.2}	OR
XC 457-355	355	368.7	9.5	457
XC 458-370	370	383.7	9.5	458
XC 459-380	380	393.7	9.5	459
XC 460-393	393	406.7	9.5	460

Other sizes not present in the above table can be provided on request

Part.	d ^{f7}	D ^{H9}	L ^{+0.2}	OR
XC 441-178	178	191.7	9.5	441
XC 442-184	184	197.7	9.5	442
XC 443-190	190	203.7	9.5	443
XC 444-196	196	209.7	9.5	444
XC 445-203	203	216.7	9.5	445
XC 674-210	210	223.7	9.5	674
XC 446-215	215	228.7	9.5	446
XC 676-222	222	235.7	9.5	676
XC 447-230	230	243.7	9.5	447
XC 678-235	235	248.7	9.5	678
XC 448-240	240	253.7	9.5	448
XC 680-248	248	261.7	9.5	680
XC 449-255	255	268.7	9.5	449
XC 682-260	260	273.7	9.5	682
XC 450-265	265	278.7	9.5	450
XC 684-273	273	286.7	9.5	684
XC 451-280	280	293.7	9.5	451
XC 686-285	285	298.7	9.5	686
XC 452-292	292	305.7	9.5	452
XC 688-300	300	313.7	9.5	688
XC 453-305	305	318.7	9.5	453
XC 454-318	318	331.7	9.5	454
XC 455-330	330	343.7	9.5	455
XC 456-342	342	355.7	9.5	456



DESCRIPTION

Single acting piston seal with asymmetric lips

MATERIAL

Type: Polyurethane
 Designation: SEALPUR 93
 Hardness: 93 °ShA

MAIN FEATURES

The piston seal type KD assures a good reaction against shock pressure peaks and low friction in the low pressure range.

The asymmetric lips are designed to differentiate the behaviour of the lips on the static and dynamic surfaces: the static lip is flexible, more sensitive to pressure fluctuations and it guarantees a wide contact area; the dynamic lip is shorter and stronger to concentrate load against the dynamic surface.

They can also be used in back-to-back arrangement for double acting piston.

- Extended service life
- Simple groove design
- Insensitive to structural deflections
- High resistance against extrusion
- Excellent wear-resistance
- Good temperature resistance
- Easy installation without expensive auxiliaries

FIELD OF APPLICATION

Pressure	≤ 400 bar
Speed	≤ 0.5 m/s
Temperature	-40°C ÷ +100°C
Fluids	Hydraulic oils (mineral oil based). For other fluids contact our technical department

SURFACE ROUGHNESS

Dynamic surface	Ra ≤ 0.3 µm	Rt ≤ 2.5 µm
Static surface	Ra ≤ 1.6 µm	Rt ≤ 6.3 µm

GAP DIMENSION "g"

The largest gap dimension appearing in operation on the non-pressurised side:

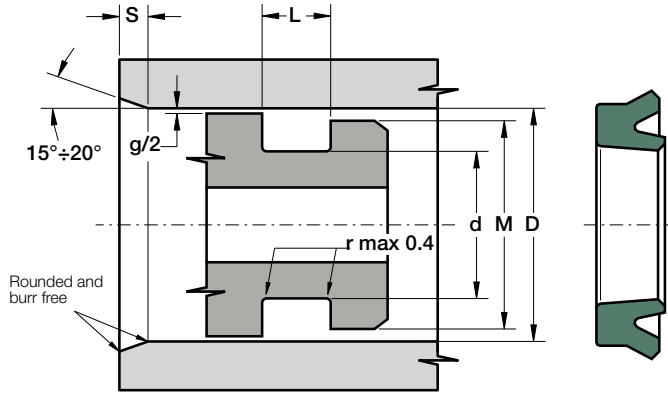
• 50 bar	1.20 mm
• 100 bar	0.80 mm
• 200 bar	0.40 mm
• 300 bar	0.25 mm
• 400 bar	0.17 mm

LEAD-IN CHAMFERS

D	S _{MIN}
• less 100	5 mm
• 100÷200	7 mm
• over 200	10 mm

- to avoid damaging the sealing lips during installation, housing must have rounded chamfers. Sharp edges and burrs within the installation area of the seal must be removed

Part.	D ^{H10}	d ^{f8}	L ^{+0.25}	M
KD 20 10 7.5	20	10	8.5	14
KD 20 12 5.3	20	12	5.8	15
KD 22 12 8	22	12	9.0	16
KD 25 13 7	25	13	8.0	17
KD 25 15 8	25	15	9.0	19
KD 30 15 10	30	15	11.0	20
KD 30 20 8	30	20	9.0	24
KD 30 22 6	30	22	7.0	25
KD 31.75 19 7	31.75	19	8.0	24
KD 32 17 10	32	17	11.0	22
KD 32 22 10	32	22	11.0	26
KD 32 26 6	32	26	7.0	29
KD 35 20 10	35	20	11.0	25

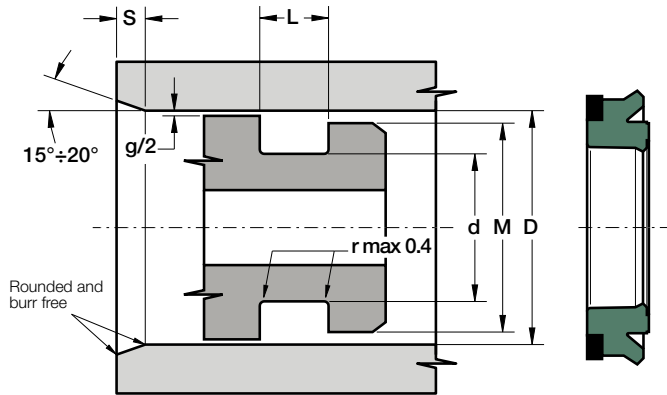


Part.	D ^{H10}	d ^{f8}	L ^{+0.25}	M
KD 35 22.5 6	35	22.5	7.0	27
KD 35 25 8	35	25	9.0	29
KD 38 31 4.7	38	31	5.2	34
KD 40 25 10	40	25	11.0	30
KD 40 30 6.5	40	30	7.5	34
KD 40 33 8	40	33	9.0	36
KD 42 32 10	42	32	11.0	36
KD 45 30 10	45	30	11.0	35
KD 46 39.4 4	46	39.4	4.5	42
KD 50 35 10	50	35	11.0	40
KD 50 40 5	50	40	5.5	44
KD 50 40 10	50	40	11.0	44
KD 50 42 5.5	50	42	6.0	45
KD 50 42 8	50	42	9.0	45
KD 55 40 10	55	40	11.0	45
KD 55 45 6.5	55	45	7.5	49
KD 60 40 12	60	40	13.0	45
KD 60 40 13.5	60	40	14.5	45
KD 60 45 10	60	45	11.0	50
KD 60 50 7	60	50	8.0	54
KD 63 45 10	63	45	11.0	50
KD 63 48 10	63	48	11.0	53
KD 63 48 12	63	48	13.0	53
KD 63 53 7	63	53	8.0	57
KD 65 45 12	65	45	13.0	50
KD 65 50 10	65	50	11.0	55
KD 65 55 10	65	55	11.0	59

Part.	D ^{H10}	d ^{f8}	L ^{+0.25}	M
KD 70 50 12	70	50	13.0	55
KD 70 50 15	70	50	16.0	55
KD 70 60 7	70	60	8.0	64
KD 70 60 8	70	60	9.0	64
KD 70 60 12	70	60	13.0	64
KD 75 65 5	75	65	5.5	69
KD 75 65 7	75	65	8.0	69
KD 75 65 10	75	65	11.0	69
KD 75 65 12	75	65	13.0	69
KD 80 60 12	80	60	13.0	65
KD 80 60 13.5	80	60	14.5	65
KD 80 65 12	80	65	13.0	70
KD 80 70 7	80	70	8.0	74
KD 80 70 12	80	70	13.0	74
KD 85 65 13.5	85	65	14.5	70
KD 90 70 12	90	70	13.0	75
KD 90 70 13.5	90	70	14.5	75
KD 90 75 10	90	75	11.0	80
KD 90 75 12	90	75	13.0	80
KD 90 80 5	90	80	5.5	84
KD 90 80 10	90	80	11.0	84
KD 90 80 12	90	80	13.0	84
KD 95 85 7	95	85	8.0	89
KD 95 85 8.5	95	85	9.5	89
KD 95 87 4	95	87	4.5	91
KD 100 80 12	100	80	13.0	85
KD 100 85 12	100	85	13.0	90
KD 100 90 8	100	90	9.0	94
KD 105 85 12	105	85	13.0	90
KD 110 100 7	110	100	8.0	104
KD 120 100 12	120	100	13.0	105
KD 125 105 12	125	105	13.0	110
KD 160 140 8.25	160	140	8.5	145
KD 170 152 7	170	152	8.0	157
KD 180 160 13.5	180	160	14.5	165
KD 190 172 7	190	172	8.0	177

Inch sizes

KD 3000 2385 0345	76.20	60.60	14.6	66.2
KD 4250 3640 0345	107.95	92.45	14.6	97.9



DESCRIPTION

Single acting piston seal with asymmetric lips and active backup ring

MATERIAL OF SEAL

Type: Polyurethane
 Designation: SEALPUR 93
 Hardness: 93 °ShA

MATERIAL OF ANTI-EXTRUSION RING

Type: Acetal resin
 Designation: BEARITE

MAIN FEATURES

The piston seals type KDA is mainly used with high pressure and the backup ring offsets large gaps or structural deflections without extrusion. The asymmetric lips are designed to differentiate the behaviour of the lips on the static and dynamic surfaces: the static lip is flexible, more sensitive to pressure fluctuations and it guarantees a wide contact area; the dynamic lip is shorter and stronger to concentrate load against the dynamic surface.

They can also be used in back-to-back arrangement for double acting piston.

- Very high resistance against extrusion (backup ring)
- Insensitive to structural deflections
- Extended service life
- Simple groove design
- Excellent wear-resistance
- Good temperature resistance
- Easy installation without expensive auxiliaries

FIELD OF APPLICATION

Pressure	≤ 500 bar
Speed	≤ 0.5 m/s
Temperature	-40°C ÷ +100°C
Fluids	Hydraulic oils (mineral oil based). <i>For other fluids contact our technical department</i>

SURFACE ROUGHNESS

Dynamic surface	Ra ≤ 0.3 µm	Rt ≤ 2.5 µm
Static surface	Ra ≤ 1.6 µm	Rt ≤ 6.3 µm

GAP DIMENSION “g”

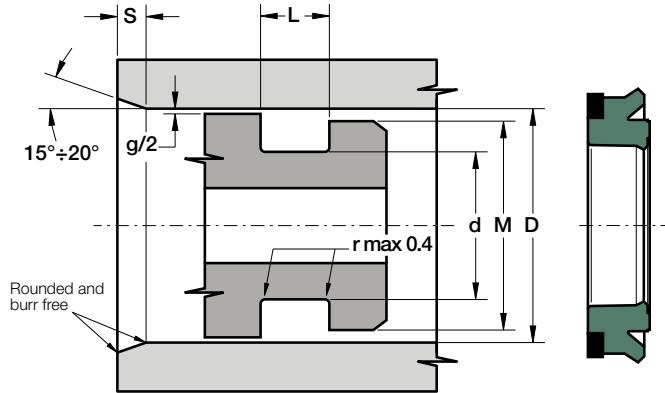
The largest gap dimension appearing in operation on the non-pressurised side:

• 200 bar	0.80 mm
• 300 bar	0.65 mm
• 400 bar	0.50 mm
• 500 bar	0.40 mm

LEAD-IN CHAMFERS

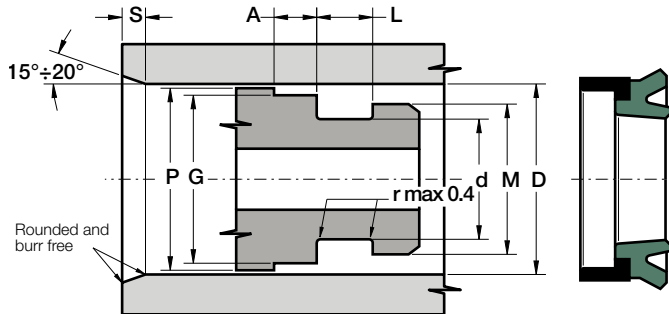
D	S _{MIN}
• less 100	5 mm
• 100÷200	7 mm
• over 200	10 mm

- to avoid damaging the sealing lips during installation, housing must have rounded chamfers. Sharp edges and burrs within the installation area of the seal must be removed



Part.	D ^{H10}	d ^{f8}	L ^{+0.25}	M
KDA 40 25 9	40	25	9.5	35
KDA 45 30 9	45	30	9.5	40
KDA 45 35 9	45	35	9.5	40
KDA 50 35 9	50	35	9.5	45
KDA 50 40 9	50	40	9.5	45
KDA 55 40 9	55	40	9.5	50
KDA 60 40 14	60	40	14.5	54
KDA 60 45 9	60	45	9.5	55
KDA 63 48 9	63	48	9.5	58
KDA 65 50 9	65	50	9.5	60
KDA 70 50 12	70	50	12.5	64
KDA 70 55 9	70	55	9.5	64
KDA 75 55 12	75	55	12.5	69
KDA 80 60 12	80	60	12.5	74
KDA 80 65 9	80	65	9.5	75
KDA 85 70 9	85	70	9.5	80
KDA 90 70 12	90	70	12.5	84
KDA 90 75 9	90	75	9.5	85
KDA 100 80 12	100	80	12.5	94
KDA 100 85 9	100	85	9.5	95
KDA 100 85 14	100	85	14.5	95
KDA 105 85 12	105	85	12.5	99
KDA 110 90 12	110	90	12.5	104
KDA 110 95 9	110	95	9.5	105

Part.	D ^{H10}	d ^{f8}	L ^{+0.25}	M
KDA 115 95 12	115	95	12.5	109
KDA 120 105 9	120	105	9.5	115
KDA 125 100 15	125	100	15.5	117
KDA 125 105 12	125	105	12.5	119
KDA 130 110 12	130	110	12.5	124
KDA 140 115 15	140	115	15.5	132
KDA 140 120 12	140	120	12.5	134
KDA 150 120 18.5	150	120	19.0	140
KDA 150 130 12	150	130	12.5	144
KDA 160 130 18.5	160	130	19.0	150
KDA 160 140 12	160	140	12.5	154
KDA 170 150 12	170	150	12.5	164
KDA 180 150 18.5	180	150	19.0	170
KDA 180 160 12	180	160	12.5	174
KDA 190 170 12	190	170	12.5	184
KDA 198 178 12.5	198	178	13.0	192
KDA 200 170 18.5	200	170	19.0	190
KDA 200 175 15	200	175	15.5	192
KDA 220 200 15	220	200	15.5	214
KDA 250 220 18.5	250	220	19.0	240
KDA 250 225 15	250	225	15.5	242



DESCRIPTION

Single acting piston seal with asymmetric lips and wear ring

MATERIAL OF SEAL

Type: Polyurethane
Designation: SEALPUR 93
Hardness: 93 °ShA

MATERIAL OF WEAR RING

Type: Acetal resin with glass fibre
Designation: BEARITE

MAIN FEATURES

The piston seal type KDF is composed of:

- A seal element which assures a good reaction against shock pressure peaks and low friction in the low pressure range. The asymmetric lips are designed to differentiate the behaviour of the lips on the static and dynamic surfaces. The static lip is flexible, more sensitive to pressure fluctuations and it guaranties a wide contact area. The dynamic lip is shorter and stronger to concentrate load against the dynamic surface
- An angular wear ring which guides the piston in the cylinder and supports radial loads

- Simple groove design
- Inexpensive sealing and guiding solution
- Extended service life
- High resistance against extrusion
- Excellent wear-resistance
- Good temperature resistance
- Easy installation without expensive auxiliaries

FIELD OF APPLICATION

Pressure	≤ 400 bar
Speed	≤ 0.5 m/s
Temperature	-40°C ÷ +100°C
Fluids	Hydraulic oils (mineral oil based).
	<i>For other fluids contact our technical department</i>

SURFACE ROUGHNESS

Dynamic surface	Ra ≤ 0.3 µm	Rt ≤ 2.5 µm
Static surface	Ra ≤ 1.6 µm	Rt ≤ 6.3 µm

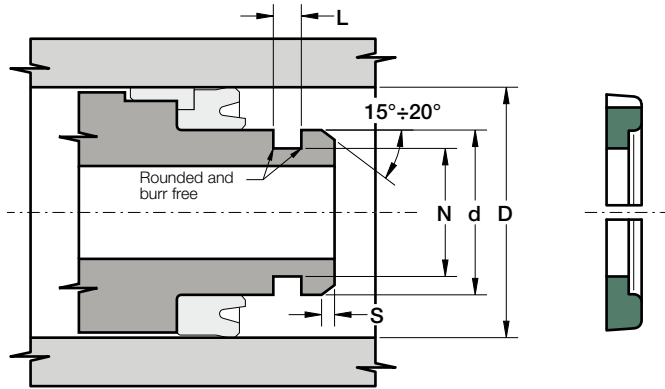
LEAD-IN CHAMFERS

D **S MIN**

- less 100 5 mm
- 100÷200 7 mm
- over 200 10 mm

- to avoid damaging the sealing lips during installation, housing must have rounded chamfers. Sharp edges and burrs within the installation area of the seal must be removed

Part.	D ^{H10}	d ^{fb}	L ^{+0.25}	A ^{±0.1}	G ^{-0.05}	P ^{±0.2}	M
KDF 32 20 8	32	20	9.0	6.35	28.50	30.5	24
KDF 35 22 9	35	22	10.0	6.35	31.40	33.5	27
KDF 40 25 8.5	40	25	9.5	6.35	35.40	38.5	30
KDF 40 26 8.5	40	26	9.5	6.35	35.40	38.5	31
KDF 40 30 8	40	30	9.0	6.35	35.40	38.5	34
KDF 45 30 9	45	30	10.0	6.35	40.40	43.7	35
KDF 45 35 8.5	45	35	9.5	6.35	40.40	43.7	39
KDF 50 30 13.5	50	30	14.5	6.35	44.30	48.5	35
KDF 50 35 10	50	35	11.0	6.35	45.35	48.5	40
KDF 50 40 10	50	40	11.0	6.35	45.40	48.5	44
KDF 55 40 10	55	40	11.0	6.35	50.35	53.5	45
KDF 60 40 13.5	60	40	14.5	6.35	55.40	58.5	45
KDF 60 45 10	60	45	11.0	6.35	55.40	58.5	50
KDF 63 45 10	63	45	11.0	6.35	58.40	61.5	50
KDF 65 50 10	65	50	11.0	6.35	60.40	63.5	55
KDF 70 50 13.5	70	50	14.5	6.35	64.20	68.3	55
KDF 80 60 12	80	60	13.0	6.35	74.15	78.3	65
KDF 80 60 13.5	80	60	14.5	6.35	74.15	78.3	65
KDF 90 70 12	90	70	13.0	6.35	84.15	88.3	75
KDF 100 80 13.5	100	80	14.5	6.35	93.15	98.0	85
KDF 100 80 13.5/A	100	80	14.5	6.35	94.15	98.3	85
KDF 110 95 12	110	95	13.0	6.35	103.10	108.0	100
KDF 120 100 13.5	120	100	14.5	6.35	113.10	118.1	105



DESCRIPTION

Retaining ring for piston seal

MATERIAL

Type: Acetal resin
Designation: BEARITE-N

MAIN FEATURES

The retaining ring type SP helps the assembly in the open groove of the piston seal, especially those with a large radial section.

- Easy installation of piston seal
- Simple groove design
- Good temperature resistance

FIELD OF APPLICATION

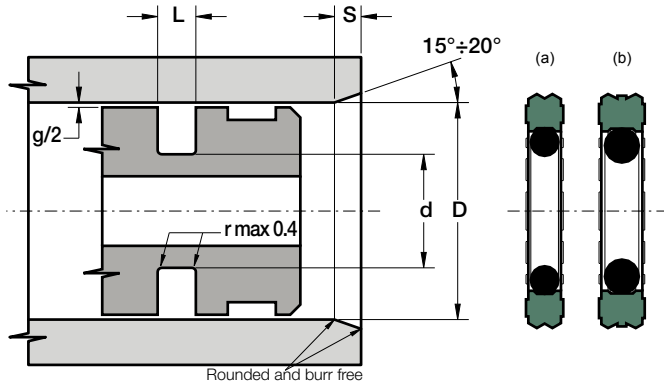
Temperature	-40°C ÷ +110°C
Fluids	Hydraulic oils (mineral oil based).
	<i>For other fluids contact our technical department</i>

LEAD-IN CHAMFERS

D	S MIN
• less 100	5 mm
• 100÷200	7 mm
• over 200	10 mm

- To avoid breaking or damaging, the retaining ring should be warmed in water before the installation

Part.	D ^{H10}	d ^{+0.1}	N ^{+0.1}	L ^{-0.2/+0.1}
SP 32 20	32	20	15.80	3.10
SP 35 22	35	22	17.80	3.10
SP 40 26	40	26	21.60	3.10
SP 45 30	45	30	25.80	3.10
SP 50 30	50	30	25.80	3.35
SP 55 40	55	40	35.80	3.10
SP 60 40	60	40	36.10	3.35
SP 63 45	63	45	40.84	3.10
SP 70 50	70	50	45.84	3.35
SP 80 60	80	60	55.80	3.35
SP 90 70	90	70	66.10	3.35



DESCRIPTION

Double acting piston seal

MATERIAL ON DYNAMIC SURFACE

Type: Polyurethane
 Designation: SEALPUR 97
 Hardness: 97 °ShA

MATERIAL ON STATIC SURFACE

Type: Nitril Rubber NBR
 Designation: RUBSEAL 70
 Hardness: 70 °ShA

MAIN FEATURES

The piston seal type KPD is composed of:

- A dynamic seal element which assures exceptional high sealing performance. Two compact and small seal edges ensure perfect fluid control and concentrate the load against the dynamic surface. The cavity between the two external seal edges keeps a small quantity of fluid which reduces friction and wear. Side grooves ensure that pressure loads the energizing O-Ring in all work conditions
- A standard size O-Ring with low permanent deformation as energizing component on the static side

- High sealing performance at low pressure also
- Excellent wear-resistance
- Space-saving construction
- Can also work for single action
- Extended service life
- Simple groove design
- Low cost solution
- High resistance against extrusion
- Good temperature resistance
- Easy installation on a solid piston

FIELD OF APPLICATION

Pressure	≤ 400 bar
Speed	≤ 0.5 m/s
Temperature	-30°C ÷ +100°C
Fluids	Hydraulic oils (mineral oil based). <i>For other fluids contact our technical department</i>

SURFACE ROUGHNESS

Dynamic surface	Ra ≤ 0.3 µm	Rt ≤ 2.5 µm
Static surface	Ra ≤ 1.6 µm	Rt ≤ 6.3 µm

GAP DIMENSION “g”

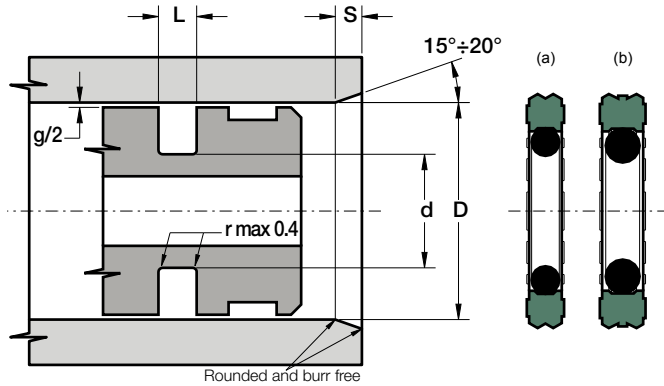
The largest gap dimension appearing in operation on the non-pressurised side:

• 50 bar	1.20 mm
• 100 bar	0.80 mm
• 200 bar	0.40 mm
• 300 bar	0.25 mm
• 400 bar	0.17 mm

LEAD-IN CHAMFERS

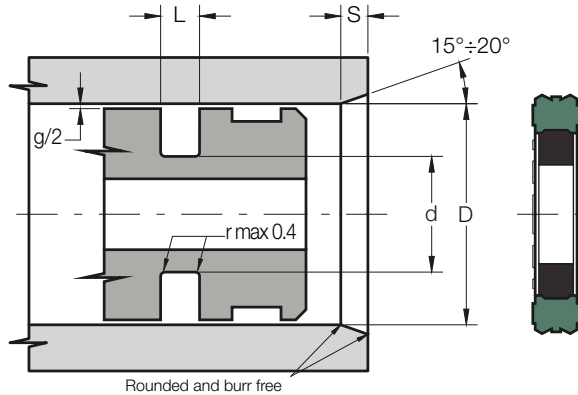
D	S MIN
• less 100	5 mm
• 100÷200	7 mm
• over 200	10 mm

- to avoid damaging the sealing lips during installation, housing must have rounded chamfers. Sharp edges and burrs within the installation area of the seal must be removed



Part.	D ^{H10}	d ^{+0.1}	L ^{+0.2}	OR	Tp.
KPD 15 7.5 3.2	15	7.5	3.2	108	(a)
KPD 16 8.5 3.2	16	8.5	3.2	109	(a)
KPD 16 11.1 2.2	16	11.1	2.2	013	(a)
KPD 20 12.5 3.2	20	12.5	3.2	112	(a)
KPD 22 14.5 3.2	22	14.5	3.2	113	(a)
KPD 25 14 4.2	25	14.0	4.2	207	(b)
KPD 25 17.5 3.2	25	17.5	3.2	115	(a)
KPD 30 22.5 3.2	30	22.5	3.2	118	(a)
KPD 30 25.1 2.2	30	25.1	2.2	021	(a)
KPD 32 21 4.2	32	21.0	4.2	211	(b)
KPD 32 24.5 3.2	32	24.5	3.2	119	(a)
KPD 35 24 4.2	35	24.0	4.2	213	(b)
KPD 35 27.5 3.2	35	27.5	3.2	121	(a)
KPD 38 30.5 3.2	38	30.5	3.2	123	(a)
KPD 40 32.5 3.2	40	32.5	3.2	124	(a)
KPD 40 29 4.2	40	29.0	4.2	216	(b)
KPD 40 24.5 6.3	40	24.5	6.3	318	(b)
KPD 42 31 4.2	42	31.0	4.2	217	(b)
KPD 45 29.5 6.3	45	29.5	6.3	320	(b)
KPD 45 34 4.2	45	34.0	4.2	219	(b)
KPD 48 37 4.2	48	37.0	4.2	221	(b)
KPD 49 38 4.2	49	38.0	4.2	222	(b)
KPD 50 34.5 6.3	50	34.5	6.3	324	(b)
KPD 50 39 4.2	50	39.0	4.2	222	(b)

Part.	D ^{H10}	d ^{+0.1}	L ^{+0.2}	OR	Tp.
KPD 52 36.5 6.3	52	36.5	6.3	324	(b)
KPD 54 43 4.2	54	43.0	4.2	826	(b)
KPD 55 39.5 6.3	55	39.5	6.3	325	(b)
KPD 55 44 4.2	55	44.0	4.2	224	(b)
KPD 57.16 47.6 4.8	57.16	47.6	4.8	47x4	(b)
KPD 57 46 4.2	57	46.0	4.2	827	(b)
KPD 60 44.5 6.3	60	44.5	6.3	327	(b)
KPD 60 49 4.2	60	49.0	4.2	225	(b)
KPD 63 47.5 6.3	63	47.5	6.3	328	(b)
KPD 63 52 4.2	63	52.0	4.2	226	(b)
KPD 65 49.5 6.3	65	49.5	6.3	328	(b)
KPD 65 54 4.2	65	54.0	4.2	227	(b)
KPD 70 54.5 6.3	70	54.5	6.3	330	(b)
KPD 70 59 4.2	70	59.0	4.2	228	(b)
KPD 75 59.5 6.3	75	59.5	6.3	331	(b)
KPD 75 64 4.2	75	64.0	4.2	230	(b)
KPD 80 64.5 6.3	80	64.5	6.3	333	(b)
KPD 80 69 4.2	80	69.0	4.2	842	(b)
KPD 85 69.5 6.3	85	69.5	6.3	335	(b)
KPD 90 69 8.1	90	69.0	8.1	68x7	(b)
KPD 90 74.5 6.3	90	74.5	6.3	336	(b)
KPD 95 79.5 6.3	95	79.5	6.3	338	(b)
KPD 100 84.5 6.3	100	84.5	6.3	339	(b)
KPD 105 89.5 6.3	105	89.5	6.3	341	(b)
KPD 110 94.5 6.3	110	94.5	6.3	343	(b)
KPD 115 94 8.1	115	94.0	8.1	94x7	(b)
KPD 120 104.5 6.3	120	104.5	6.3	346	(b)
KPD 125 109.5 6.3	125	109.5	6.3	347	(b)
KPD 130 114.5 6.3	130	114.5	6.3	349	(b)
KPD 140 119 8.1	140	119.0	8.1	426	(b)
KPD 140 124.5 6.3	140	124.5	6.3	352	(b)
KPD 150 129 8.1	150	129.0	8.1	430	(b)
KPD 160 139 8.1	160	139.0	8.1	433	(b)
KPD 170 149 8.1	170	149.0	8.1	436	(b)
KPD 180 159 8.1	180	159.0	8.1	438	(b)
KPD 200 179 8.1	200	179.0	8.1	441	(b)
KPD 220 199 8.1	220	199.0	8.1	444	(b)
KPD 250 229 8.1	250	229.0	8.1	447	(b)



DESCRIPTION

Double acting piston seal

MATERIAL ON DYNAMIC SURFACE

Type: Polyurethane
 Designation: SEALPUR 97
 Hardness: 97 °ShA

MATERIAL ON STATIC SURFACE

Type: Nitril Rubber NBR
 Designation: RUBSEAL 80
 Hardness: 80 °ShA

MAIN FEATURES

The piston seal type KPR is composed of:

- A dynamic seal element which assures exceptional high sealing performance. Two compact and small seal edges ensure perfect fluid control and concentrate the load against the dynamic surface. The cavity between the two external seal edges keeps a small quantity of fluid which reduces friction and wear. Side grooves ensure that pressure loads the energizing element in all work conditions.
- A nitril rubber element with low permanent deformation as energizing component on the static side. The hardness and the rectangular cross-section prevent twisting of the static element in the groove.

- High sealing performance at low pressure also
- Excellent wear-resistance
- Space-saving construction
- Can also work for single action
- Extended service life
- Simple groove design
- Low cost solution
- High resistance against extrusion
- Good temperature resistance
- Easy installation on a solid piston

FIELD OF APPLICATION

Pressure	≤ 400 bar
Speed	≤ 0.5 m/s
Temperature	-30°C ÷ +100°C
Fluids	Hydraulic oils (mineral oil based). <i>For other fluids contact our technical department</i>

SURFACE ROUGHNESS

Dynamic surface	Ra ≤ 0.3 µm	Rt ≤ 2.5 µm
Static surface	Ra ≤ 1.6 µm	Rt ≤ 6.3 µm

GAP DIMENSION “g”

The largest gap dimension appearing in operation on the non-pressurised side:

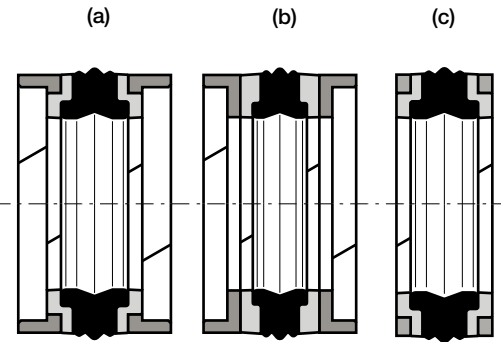
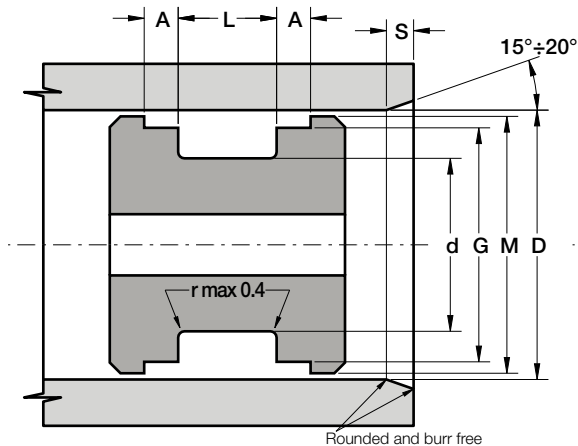
• 50 bar	1.20 mm
• 100 bar	0.80 mm
• 200 bar	0.40 mm
• 300 bar	0.25 mm
• 400 bar	0.17 mm

LEAD-IN CHAMFERS

D	S _{MIN}
• less 100	5 mm
• 100÷200	7 mm
• over 200	10 mm

- to avoid damaging the sealing lips during installation, housing must have rounded chamfers. Sharp edges and burrs within the installation area of the seal must be removed

Part.	D ^{H10}	d ^{+0.1}	L ^{+0.2}
KPR 63 52 4.2	63	52.0	4.2
KPR 70 59 4.2	70	59.0	4.2
KPR 80 64.5 6.3	80	64.5	6.3
KPR 90 69 8.1	90	69.0	8.1
KPR 90 74.5 6.3	90	74.5	6.3
KPR 100 84.5 6.3	100	84.5	6.3
KPR 110 94.5 6.3	110	94.5	6.3
KPR 120 104.5 6.3	120	104.5	6.3



DESCRIPTION

Double acting piston seal with wear rings

MATERIAL OF SEAL RING

Type: Nitril Rubber NBR
Designation: RUBSEAL 75
Hardness: 75 °ShA

MATERIAL OF ANTI-EXTRUSION RINGS

Type: Thermoplastic polyester resin
Designation: SEALITE 63
Hardness: 63 °ShD

MATERIAL OF GUIDE RINGS

Type: Acetal resin with glass fibre
Designation: BEARITE

MAIN FEATURES

The piston seal type KGD is composed of:

- A sealing rubber element with low permanent deformation which assures good sealing performance. Three compact and small seal edges ensure perfect fluid control and concentrate load against the dynamic surface. The cavities between the external seal edges keep small quantities of fluid reducing friction and wear. The special geometry of static side guaranties a wide contact area and prevents distortion inside the groove during installation
- Two anti-extrusion rings with stabilizers to avoid the rotation of the rubber element. A special geometry of grooves assures that pressure loads the energizing seal element without any risk of extrusion of it.
- Two angular wear rings which guide the piston in the cylinder tube and support radial loads. Special grooves ensure that pressure loads the energizing seal element in all work conditions

- Good sealing performance as well as at low pressure
- Simple one-part piston design
- High resistance against extrusion
- Good guide of piston and gap balancing
- Perfect fluid control
- Good mechanical stability at high temperature
- Easy installation without expensive auxiliaries
- High resistance against extrusion
- Good temperature resistance
- Easy installation on a solid piston

FIELD OF APPLICATION

Pressure	≤ 400 bar
Speed	≤ 0.5 m/s
Temperature	-40°C ÷ +110°C
Fluids	Hydraulic oils (mineral oil based). <i>For other fluids contact our technical department</i>

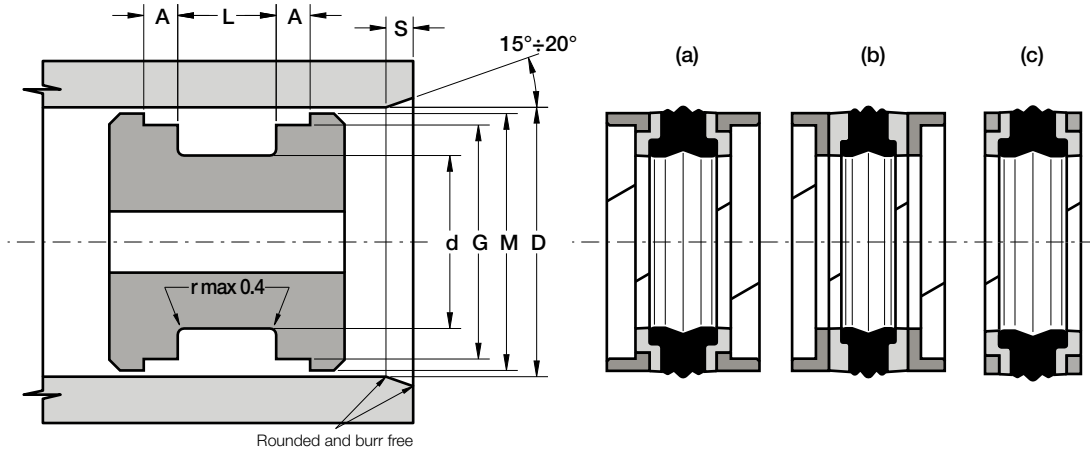
SURFACE ROUGHNESS

Dynamic surface	Ra ≤ 0.3 µm	Rt ≤ 2.5 µm
Static surface	Ra ≤ 1.6 µm	Rt ≤ 6.3 µm

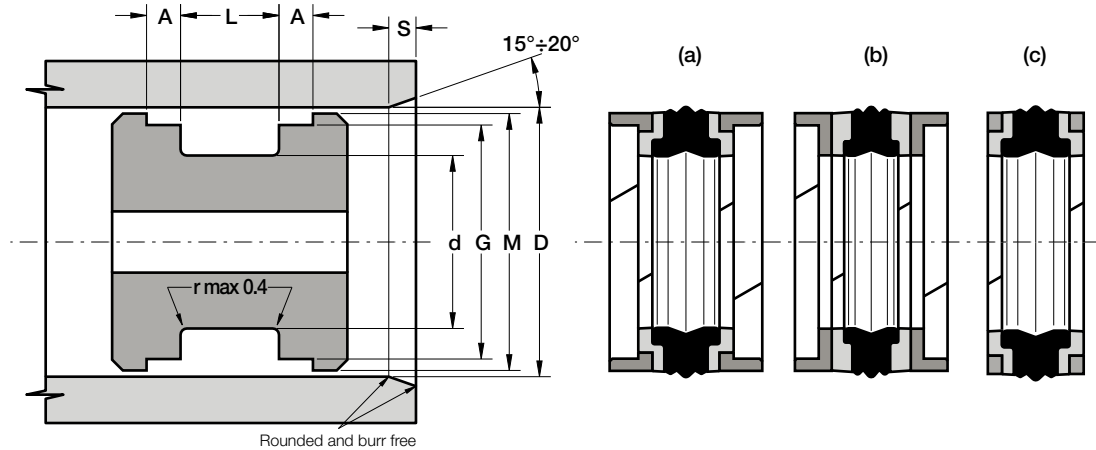
LEAD-IN CHAMFERS

D	S MIN
• less 100	5 mm
• 100÷200	7 mm
• over 200	10 mm

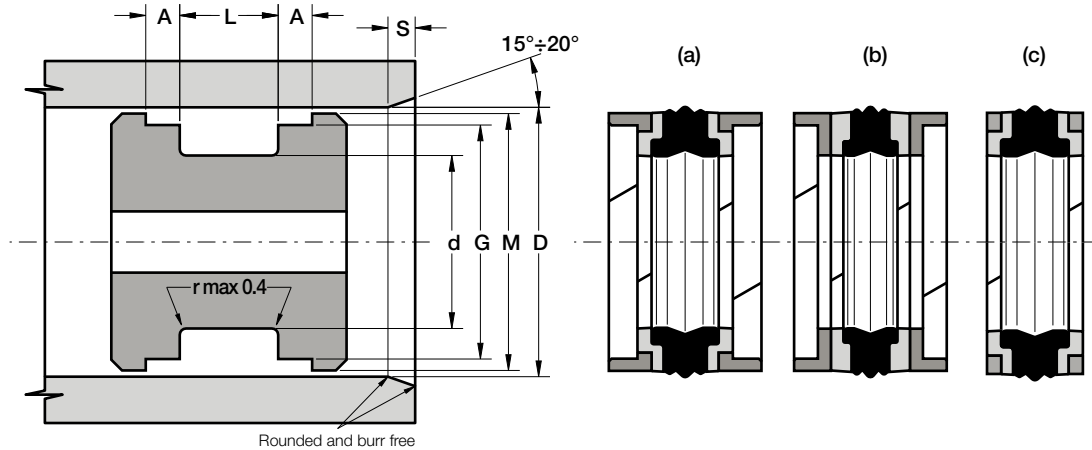
- to avoid damaging the sealing lips during installation, housing must have rounded chamfers. Sharp edges and burrs within the installation area of the seal must be removed



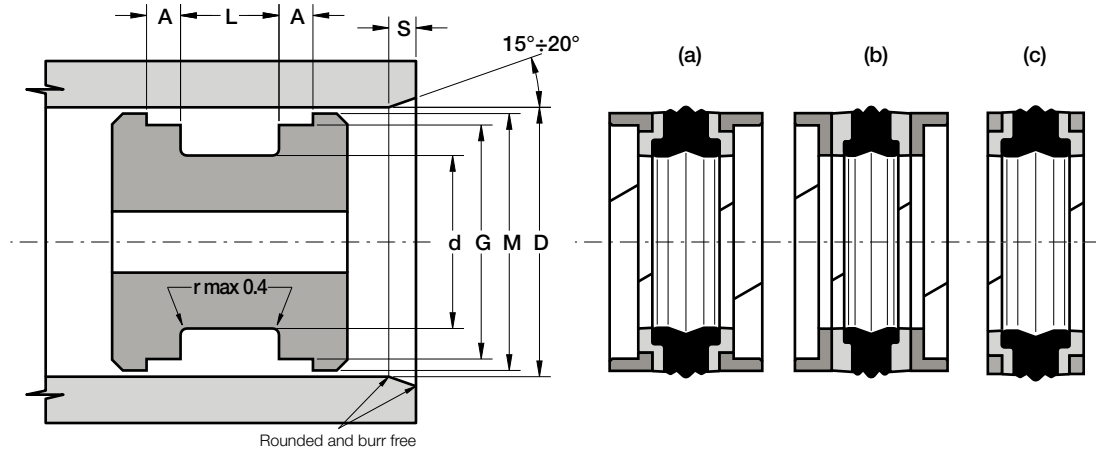
Part.	D ^{H10}	d ^{+0.1}	L ^{+0.2}	A ^{±0.1}	G ^{-0.05}	M ^{±0.2}	Tp.
KGD 20 11	20	11	13.5	2.10	17.00	19.0	(a)
KGD 25 15	25	15	16.4	6.35	21.45	23.5	(a)
KGD 25 15/A	25	15	12.0	4.00	21.00	23.0	(a)
KGD 25 15/B	25	15	12.5	4.00	22.00	24.0	(a)
KGD 25 16	25	16	13.5	2.10	22.00	24.0	(a)
KGD 25 17	25	17	10.0	4.00	22.00	24.0	(a)
KGD 30 17	30	17	15.4	6.35	26.50	29.0	(a)
KGD 30 21	30	21	13.5	2.10	27.00	29.0	(a)
KGD 32 22	32	22	16.4	6.35	28.50	30.5	(a)
KGD 32 22/A	32	22	15.5	2.60	28.00	31.0	(a)
KGD 32 22/C	32	22	12.5	4.00	29.00	31.0	(a)
KGD 32 24	32	24	15.5	3.20	28.00	31.4	(b)
KGD 32 24/A	32	24	10.0	4.00	29.00	31.0	(a)
KGD 35 25	35	25	16.4	6.35	31.40	33.5	(a)
KGD 35 25/A	35	25	15.5	2.60	31.00	34.0	(a)
KGD 40 24	40	24	18.4	6.35	35.40	38.5	(a)
KGD 40 26	40	26	15.5	2.60	36.00	39.0	(a)
KGD 40 30	40	30	16.4	6.35	35.40	38.5	(a)
KGD 40 30/A	40	30	12.5	4.00	36.00	38.0	(a)
KGD 40 30/AE	40	30	16.4	-	-	38.5	(c)
KGD 40 30/B	40	30	12.5	4.00	37.00	39.0	(a)
KGD 40 32	40	32	15.5	3.20	36.00	39.4	(b)
KGD 40 32/A	40	32	10.0	4.00	37.00	39.0	(a)
KGD 40 32/T	40	32	15.5	3.20	36.00	39.4	(a)
KGD 45 29	45	29	18.4	6.35	40.40	43.7	(a)
KGD 45 29/AE	45	29	18.4	-	-	43.7	(c)



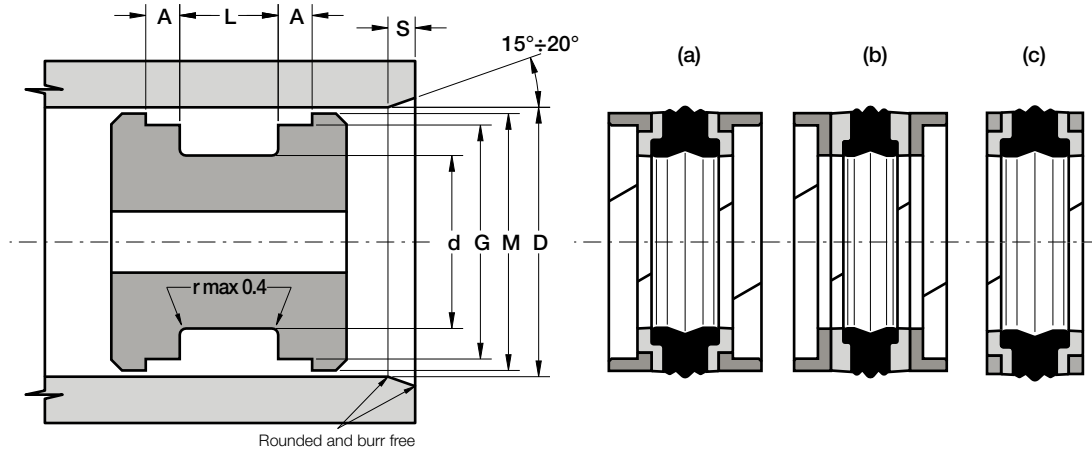
Part.	D ^{H10}	d ^{+0.1}	L ^{+0.2}	A ^{±0.1}	G ^{-0.05}	M ^{±0.2}	Tp.
KGD 45 31	45	31	15.5	2.60	41.00	44.0	(a)
KGD 45 35	45	35	16.4	6.35	40.40	43.5	(a)
KGD 45 35/AE	45	35	16.4	-	-	43.5	(c)
KGD 50 34	50	34	18.4	6.35	45.40	48.5	(a)
KGD 50 34/A	50	34	20.5	3.10	46.00	49.0	(a)
KGD 50 34/AE	50	34	18.4	-	-	48.5	(c)
KGD 50 35	50	35	20.0	5.00	46.00	48.5	(a)
KGD 50 38	50	38	20.5	4.20	46.00	49.4	(b)
KGD 50 38/T	50	38	20.5	4.20	46.00	49.4	(a)
KGD 50 40	50	40	12.5	4.00	47.00	49.0	(a)
KGD 50 40/AE	50	40	12.5	-	-	49.0	(c)
KGD 55 39	55	39	18.4	6.35	50.36	53.5	(a)
KGD 55 39/A	55	39	20.5	3.10	51.00	54.0	(a)
KGD 55 43	55	43	20.5	4.20	51.00	54.4	(b)
KGD 55 45	55	45	12.5	4.00	52.00	54.0	(a)
KGD 60 44	60	44	18.4	6.35	55.40	58.5	(a)
KGD 60 44/A	60	44	20.5	3.10	56.00	59.0	(a)
KGD 60 48	60	48	20.5	4.20	56.00	59.4	(b)
KGD 63 47	63	47	18.4	6.35	58.40	61.5	(a)
KGD 63 47/A	63	47	20.5	3.10	59.00	62.0	(a)
KGD 63 47/B	63	47	19.4	6.35	58.40	61.5	(a)
KGD 63 48	63	48	20.0	5.00	59.00	61.5	(a)
KGD 63 51	63	51	20.5	4.20	59.00	62.4	(b)
KGD 63 51/T	63	51	20.5	4.20	59.00	62.4	(a)
KGD 63 53	63	53	12.5	4.00	60.00	62.0	(a)
KGD 65 49	65	49	20.5	3.10	61.00	64.0	(a)



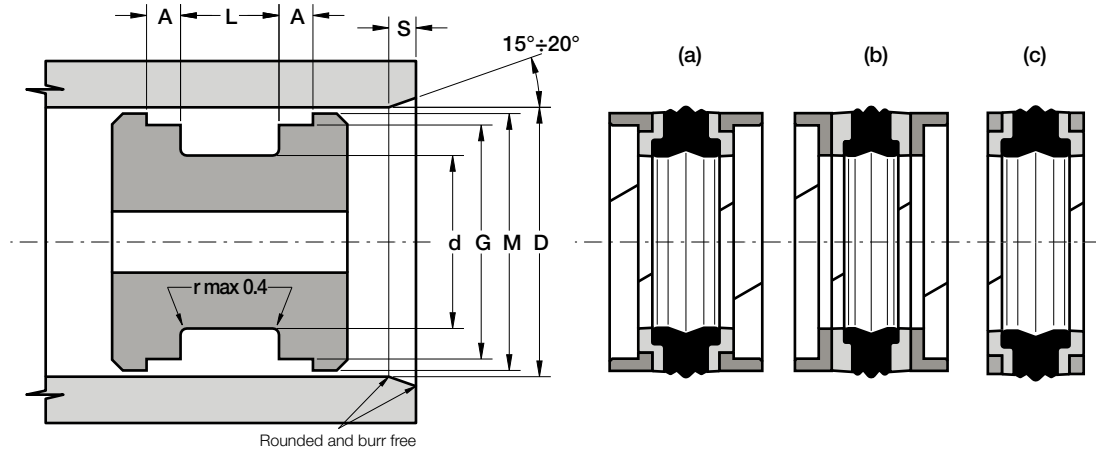
Part.	D ^{H10}	d ^{+0.1}	L ^{+0.2}	A ^{±0.1}	G ^{-0.05}	M ^{±0.2}	Tp.
KGD 65 50	65	50	18.4	6.35	60.40	63.5	(a)
KGD 70 50	70	50	22.4	6.35	64.20	68.3	(a)
KGD 70 50/AE	70	50	22.4	-	-	68.3	(c)
KGD 70 54	70	54	20.5	3.10	66.00	69.0	(a)
KGD 70 55	70	55	20.0	5.00	66.00	68.5	(a)
KGD 70 58	70	58	20.5	4.20	66.00	69.4	(b)
KGD 70 58/T	70	58	20.5	4.20	66.00	69.4	(a)
KGD 75 55	75	55	22.4	6.35	69.20	73.3	(a)
KGD 75 55/AE	75	55	22.4	-	-	73.3	(c)
KGD 75 59	75	59	20.5	3.10	71.00	74.0	(a)
KGD 80 60	80	60	22.4	6.35	74.15	78.3	(a)
KGD 80 60/AE	80	60	22.4	-	-	78.3	(c)
KGD 80 60/C	80	60	25.0	6.35	75.00	78.0	(a)
KGD 80 62	80	62	22.5	3.60	76.00	79.0	(a)
KGD 80 65	80	65	20.0	5.00	76.00	78.5	(a)
KGD 80 66	80	66	22.5	5.20	76.00	79.4	(b)
KGD 80 66/T	80	66	22.5	5.20	76.00	79.4	(a)
KGD 85 65	85	65	22.4	6.35	79.15	83.3	(a)
KGD 85 65/AE	85	65	22.4	-	-	83.3	(c)
KGD 90 70	90	70	22.4	6.35	84.15	88.3	(a)
KGD 90 72	90	72	22.5	3.60	86.00	89.0	(a)
KGD 90 75	90	75	20.0	5.00	86.00	88.5	(a)
KGD 90 76	90	76	22.5	5.20	86.00	89.4	(b)
KGD 95 75	95	75	22.4	6.35	89.15	93.3	(a)
KGD 100 75	100	75	22.4	6.35	93.15	98.0	(a)
KGD 100 80	100	80	25.4	6.35	94.15	98.3	(a)



Part.	D ^{H10}	d ^{+0.1}	L ^{+0.2}	A ^{±0.1}	G ^{-0.05}	M ^{±0.2}	Tp.
KGD 100 80/D	100	80	25.0	6.35	95.00	98.0	(a)
KGD 100 82	100	82	22.5	3.60	96.00	99.0	(a)
KGD 100 85	100	85	20.0	5.00	96.00	98.5	(a)
KGD 100 86	100	86	22.5	5.20	96.00	99.4	(b)
KGD 100 86/T	100	86	22.5	5.20	96.00	99.4	(a)
KGD 105 80	105	80	22.4	6.35	98.10	103.0	(a)
KGD 105 80/AE	105	80	22.4	-	-	103.0	(c)
KGD 110 85	110	85	22.4	6.35	103.10	108.0	(a)
KGD 110 85/A	110	85	25.4	6.35	103.10	108.0	(a)
KGD 110 92	110	92	22.5	3.60	106.00	109.0	(a)
KGD 110 95	110	95	20.0	5.00	105.00	108.5	(a)
KGD 110 96	110	96	22.5	5.20	106.00	109.4	(b)
KGD 115 90	115	90	22.4	6.35	108.10	113.0	(a)
KGD 120 95	120	95	22.4	6.35	113.10	118.1	(a)
KGD 120 106	120	106	22.5	5.20	116.00	119.4	(b)
KGD 120 106/AE	120	106	22.5	-	-	119.4	(c)
KGD 120 106/T	120	106	22.5	5.20	116.00	119.4	(a)
KGD 125 100	125	100	25.4	6.35	118.10	123.0	(a)
KGD 125 100/A	125	100	32.0	10.00	119.00	123.0	(a)
KGD 125 103	125	103	26.5	5.10	121.00	124.0	(a)
KGD 125 105	125	105	25.0	6.35	120.00	123.0	(a)
KGD 125 105/A	125	105	25.4	6.35	119.10	123.3	(a)
KGD 125 108	125	108	26.5	7.20	121.00	124.4	(b)
KGD 130 105	130	105	25.4	9.50	122.60	127.5	(a)
KGD 130 105/A	130	105	25.4	6.35	123.10	128.0	(a)
KGD 135 110	135	110	25.4	9.50	127.60	132.5	(a)



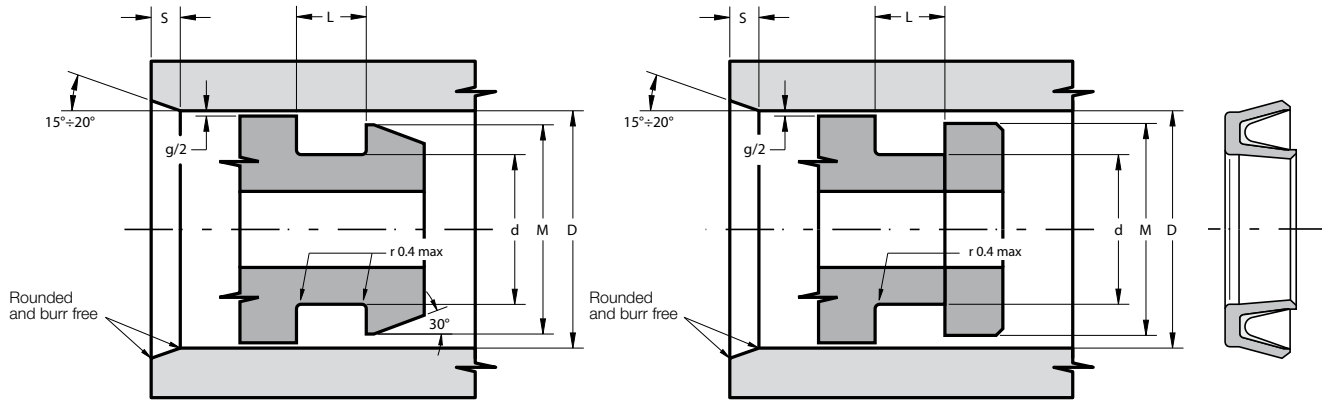
Part.	D ^{H10}	d ^{+0.1}	L ^{+0.2}	A ^{±0.1}	G ^{-0.05}	M ^{±0.2}	Tp.
KGD 135 110/A	135	110	25.4	6.35	128.10	133.0	(a)
KGD 140 115	140	115	25.4	9.50	132.60	137.5	(a)
KGD 140 115/A	140	115	25.4	6.35	133.00	138.0	(a)
KGD 140 118	140	118	26.5	5.10	136.00	139.0	(a)
KGD 140 120	140	120	25.0	6.35	135.00	138.0	(a)
KGD 140 123	140	123	26.5	7.20	136.00	139.4	(b)
KGD 145 120	145	120	25.4	9.50	137.60	142.5	(a)
KGD 145 120/A	145	120	25.4	6.35	138.30	142.95	(a)
KGD 150 125	150	125	25.4	9.50	142.60	147.5	(a)
KGD 150 125/A	150	125	25.4	6.35	143.00	148.0	(a)
KGD 150 128	150	128	25.4	5.10	146.00	149.0	(a)
KGD 150 128/A	150	128	26.5	5.10	146.00	149.0	(a)
KGD 160 130	160	130	25.4	6.35	153.00	157.5	(a)
KGD 160 130/A	160	130	25.4	9.50	152.60	157.5	(a)
KGD 160 135	160	135	25.4	9.50	152.60	157.5	(a)
KGD 160 140	160	140	25.0	6.35	155.00	158.0	(a)
KGD 165 140	165	140	25.4	9.50	157.60	162.5	(a)
KGD 170 145	170	145	25.4	12.70	161.70	167.1	(a)
KGD 175 150	175	150	25.4	12.70	166.70	172.1	(a)
KGD 180 150	180	150	35.4	6.35	172.90	177.9	(a)
KGD 180 155	180	155	25.4	12.70	171.70	177.1	(a)
KGD 185 160	185	160	25.4	12.70	176.70	182.1	(a)
KGD 190 165	190	165	25.4	12.70	181.70	187.0	(a)
KGD 200 170	200	170	36.0	12.50	192.00	197.0	(a)
KGD 200 170/A	200	170	35.4	6.35	193.00	198.0	(a)
KGD 200 175	200	175	25.4	12.70	191.60	197.0	(a)



Part.	D ^{H10}	d ^{+0.1}	L ^{+0.2}	A ^{±0.1}	G ^{-0.05}	M ^{±0.2}	Tp.
KGD 210 185	210	185	25.4	12.70	201.60	207.0	(a)
KGD 220 190	220	190	35.4	6.35	212.70	217.9	(a)
KGD 220 195	220	195	25.4	12.70	211.60	217.0	(a)
KGD 225 200	225	200	25.4	12.70	216.60	222.0	(a)
KGD 230 205	230	205	25.4	12.70	221.60	227.0	(a)
KGD 240 215	240	215	25.4	12.70	231.60	237.0	(a)
KGD 250 220	250	220	35.4	6.35	242.90	247.9	(a)
KGD 250 225	250	225	25.4	12.70	241.60	247.0	(a)

Inch sizes

KGD 1750 1125	44.45	28.57	19.05	6.35	39.87	43.12	(a)
KGD 2000 1375	50.80	34.92	19.05	6.35	46.23	49.48	(a)
KGD 2000 1500	50.80	38.10	14.91	6.35	46.25	49.53	(a)
KGD 2000 1500/AE	50.80	38.10	14.91	-	-	49.53	(c)
KGD 2000 1625	50.80	41.27	11.10	3.81	46.27	49.19	(a)
KGD 2375 1750	60.33	44.45	19.05	6.35	55.73	58.98	(a)
KGD 2500 1875	63.50	47.62	19.05	6.35	58.90	62.12	(a)
KGD 2500 2000	63.50	50.80	14.91	6.35	58.95	62.23	(a)
KGD 2500 2000/AE	63.50	50.80	14.91	-	-	62.23	(c)
KGD 2500 2125	63.50	53.97	11.10	3.81	59.00	62.12	(a)
KGD 3000 2250	76.20	57.15	23.79	6.35	70.40	74.50	(a)
KGD 3000 2500	76.20	63.50	14.91	6.35	70.46	74.68	(a)
KGD 3000 2500/AE	76.20	63.50	14.91	-	-	74.68	(c)
KGD 3500 2750	88.90	69.85	23.79	6.35	83.08	87.22	(a)
KGD 4000 3250	101.60	82.55	23.79	6.35	95.78	99.92	(a)



DESCRIPTION

Single acting piston seal in PTFE with energizing metal spring inside

MATERIAL OF SEAL

Type: Polytetrafluoroethylene PTFE + carbon

Designation: SEALFLON + carbon

⇒ it can be provided with different materials according to working conditions

MATERIAL OF ENERGIZING SPRING

Type: Stainless 1.4310

⇒ it can be provided with different materials according to working conditions

MAIN FEATURES

The KV is a single acting piston seal energized by a V-shaped metal spring resistant to corrosion.

The asymmetric profile, with appropriately designed dynamic lip, short and heavy, ensures a reduction of friction and a long operating life

The inside metal spring ensures a tight seal even at low pressures.

The possibility of combining different materials for the two components, allows the use of the seal in various areas: hydraulic, chemical, pharmaceutical and food industries.

- High compatibility with nearly all fluids
- Low friction, even in the absence of lubrication
- High speed allowed
- No tendency of stick-slip
- Excellent sealing capability even at low pressure
- Good wear-resistance
- High temperature resistance
- Extended service life

INSTALLATION

This seal should be mounted preferably in open housing. The snap-in installation is only possible in special designed housing (see figure).

FIELD OF APPLICATION

Pressure ≤ 300 bar

Speed ≤ 15 m/s

Temperature - 200°C ÷ +200°C

Fluids High compatibility with almost all fluids (which do not attack the PTFE and Stainless)

SURFACE ROUGHNESS

Dynamic surface Ra ≤ 0.3 µm Rt ≤ 2.5 µm

Static surface Ra ≤ 1.6 µm Rt ≤ 6.3 µm

GAP DIMENSION "g"

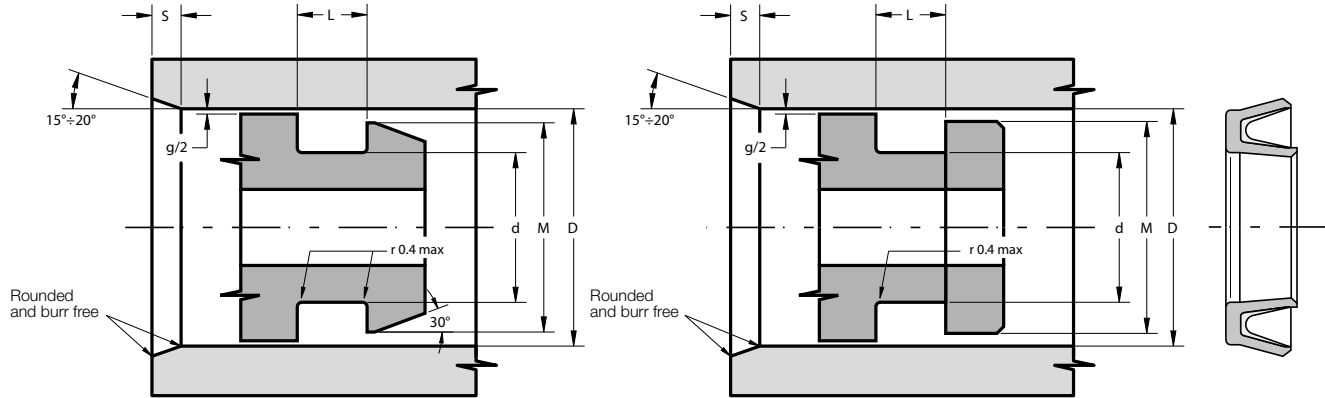
The largest gap dimension [mm] appearing in operation on the non-presurised side:

L	100 BAR	200 BAR	300 BAR
2.4	0.20	0.16	0.13
3.6	0.30	0.20	0.17
4.8	0.40	0.30	0.22
7.1	0.50	0.40	0.30
9.5	0.60	0.50	0.35

LEAD-IN CHAMFERS

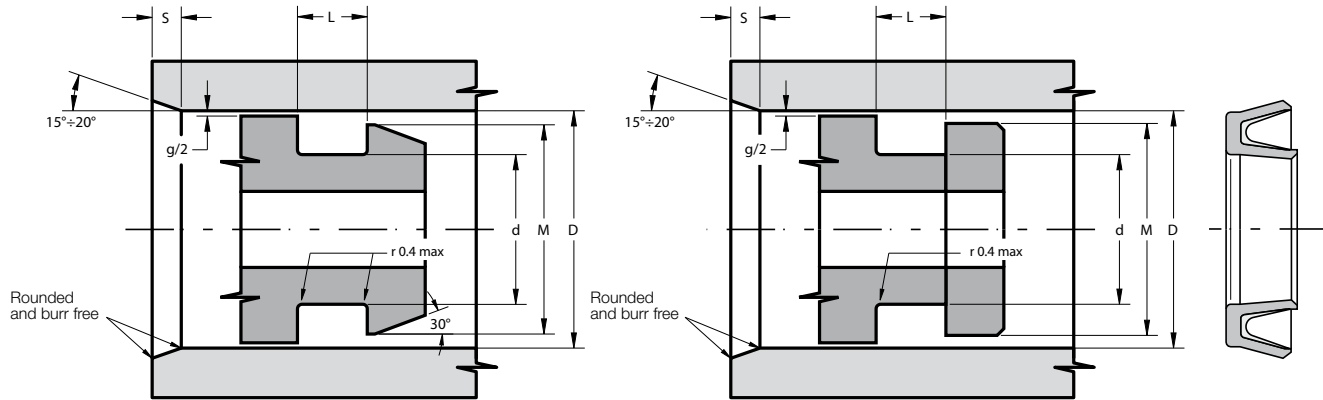
LEAD-IN CHAMFERS		LEAD-IN CHAMFERS	
L	S	L	S
2.4	2.0	7.1	5.0
3.6	2.5	9.5	6.5
4.8	3.5		

- to avoid damaging the seal during installation, housing must have rounded chamfers. Sharp edges and burrs within the installation area of the seal must be removed



Part.	D ^{H9}	d ^{h9}	L ^{+0.2}	M ^{min}
KV 8 5.1 2.4	8	5.1	2.4	5.9
KV 10 7.1 2.4	10	7.1	2.4	7.9
KV 12 9.1 2.4	12	9.1	2.4	9.9
KV 14 11.1 2.4	14	11.1	2.4	11.9
KV 15 10.5 3.6	15	10.5	3.6	11.7
KV 16 11.5 3.6	16	11.5	3.6	12.7
KV 18 13.5 3.6	18	13.5	3.6	14.7
KV 20 15.5 3.6	20	15.5	3.6	16.7
KV 22 17.5 3.6	22	17.5	3.6	18.7
KV 24 19.5 3.6	24	19.5	3.6	20.7
KV 25 20.5 3.6	25	20.5	3.6	21.7
KV 28 21.8 4.8	28	21.8	4.8	23.2
KV 30 23.8 4.8	30	23.8	4.8	25.2
KV 32 25.8 4.8	32	25.8	4.8	27.2
KV 35 28.8 4.8	35	28.8	4.8	30.2
KV 36 29.8 4.8	36	29.8	4.8	31.2
KV 38 31.8 4.8	38	31.8	4.8	33.2
KV 39 32.8 4.8	39	32.8	4.8	34.2
KV 40 33.8 4.8	40	33.8	4.8	35.2
KV 42 35.8 4.8	42	35.8	4.8	37.2
KV 45 38.8 4.8	45	38.8	4.8	40.2
KV 46 39.8 4.8	46	39.8	4.8	41.2
KV 48 38.6 7.1	48	38.6	7.1	40.2
KV 50 40.6 7.1	50	40.6	7.1	42.2
KV 52 42.6 7.1	52	42.6	7.1	44.2
KV 55 45.6 7.1	55	45.6	7.1	47.2
KV 57 47.6 7.1	57	47.6	7.1	49.2

Part.	D ^{H9}	d ^{h9}	L ^{+0.2}	M ^{min}
KV 60 50.6 7.1	60	50.6	7.1	52.2
KV 63 53.6 7.1	63	53.6	7.1	55.2
KV 64 54.6 7.1	64	54.6	7.1	56.2
KV 65 55.6 7.1	65	55.6	7.1	57.2
KV 70 60.6 7.1	70	60.6	7.1	62.2
KV 75 65.6 7.1	75	65.6	7.1	67.2
KV 80 70.6 7.1	80	70.6	7.1	72.2
KV 85 75.6 7.1	85	75.6	7.1	77.2
KV 89 79.6 7.1	89	79.6	7.1	81.2
KV 90 80.6 7.1	90	80.6	7.1	82.2
KV 95 85.6 7.1	95	85.6	7.1	87.2
KV 100 90.6 7.1	100	90.6	7.1	92.2
KV 105 95.6 7.1	105	95.6	7.1	97.2
KV 110 100.6 7.1	110	100.6	7.1	102.2
KV 115 105.6 7.1	115	105.6	7.1	107.2
KV 120 110.6 7.1	120	110.6	7.1	112.2
KV 125 115.6 7.1	125	115.6	7.1	117.2
KV 130 117.8 9.5	130	117.8	9.5	119.6
KV 132 119.8 9.5	132	119.8	9.5	121.6
KV 133 120.8 9.5	133	120.8	9.5	122.6
KV 135 122.8 9.5	135	122.8	9.5	124.6
KV 140 127.8 9.5	140	127.8	9.5	129.6
KV 145 132.8 9.5	145	132.8	9.5	134.6
KV 150 137.8 9.5	150	137.8	9.5	139.6
KV 154 141.8 9.5	154	141.8	9.5	143.6
KV 155 142.8 9.5	155	142.8	9.5	144.6
KV 160 147.8 9.5	160	147.8	9.5	149.6

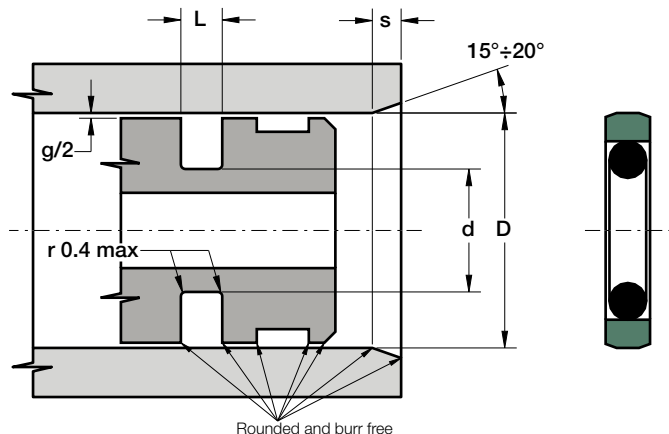


Part.	D ^{H9}	d ^{h9}	L ^{+0.2}	M ^{min}
KV 165 152.8 9.5	165	152.8	9.5	154.6
KV 170 157.8 9.5	170	157.8	9.5	159.6
KV 175 162.8 9.5	175	162.8	9.5	164.6
KV 180 167.8 9.5	180	167.8	9.5	169.6
KV 185 172.8 9.5	185	172.8	9.5	174.6
KV 190 177.8 9.5	190	177.8	9.5	179.6
KV 200 187.8 9.5	200	187.8	9.5	189.6
KV 210 197.8 9.5	210	197.8	9.5	199.6
KV 220 207.8 9.5	220	207.8	9.5	209.6
KV 230 217.8 9.5	230	217.8	9.5	219.6
KV 240 227.8 9.5	240	227.8	9.5	229.6
KV 250 237.8 9.5	250	237.8	9.5	239.6
KV 260 247.8 9.5	260	247.8	9.5	249.6
KV 270 257.8 9.5	270	257.8	9.5	259.6
KV 280 267.8 9.5	280	267.8	9.5	269.6
KV 290 277.8 9.5	290	277.8	9.5	279.6
KV 300 287.8 9.5	300	287.8	9.5	289.6
KV 310 297.8 9.5	310	297.8	9.5	299.6
KV 320 307.8 9.5	320	307.8	9.5	309.6
KV 330 317.8 9.5	330	317.8	9.5	319.6
KV 340 327.8 9.5	340	327.8	9.5	329.6
KV 350 337.8 9.5	350	337.8	9.5	339.6
KV 360 347.8 9.5	360	347.8	9.5	349.6
KV 370 357.8 9.5	370	357.8	9.5	359.6
KV 380 367.8 9.5	380	367.8	9.5	369.6
KV 390 377.8 9.5	390	377.8	9.5	379.6
KV 400 387.8 9.5	400	387.8	9.5	389.6

Part.	D ^{H9}	d ^{h9}	L ^{+0.2}	M ^{min}
KV 410 397.8 9.5	410	397.8	9.5	399.6
KV 420 407.8 9.5	420	407.8	9.5	409.6
KV 430 417.8 9.5	430	417.8	9.5	419.6
KV 440 427.8 9.5	440	427.8	9.5	429.6
KV 450 437.8 9.5	450	437.8	9.5	439.6
KV 460 447.8 9.5	460	447.8	9.5	449.6
KV 470 457.8 9.5	470	457.8	9.5	459.6
KV 480 467.8 9.5	480	467.8	9.5	469.6
KV 490 477.8 9.5	490	477.8	9.5	479.6
KV 500 487.8 9.5	500	487.8	9.5	489.6

Other sizes not present in the above table can be provided in according to the following scheme:

D ^{H9}	d ^{h9}	L ^{+0.2}	M ^{min}
8-14	D - 2.9	2.4	D - 2.1
>14-25	D - 4.5	3.6	D - 3.3
>25-46	D - 6.2	4.8	D - 4.8
>46-125	D - 9.4	7.1	D - 7.8
>125-500	D - 12.2	9.5	D - 10.4



DESCRIPTION

Double acting piston seal

MATERIAL ON DYNAMIC SURFACE

Type: Polytetrafluoroethylene + Bronze

Designation: SEALFLON + Bronze

⇒ it can be provided with different fillers according to applications

MATERIAL ON STATIC SURFACE

Type: Nitril Rubber NBR

Designation: RUBSEAL 70

Hardness: 70 °ShA

⇒ it can be provided with different materials according to working conditions

MAIN FEATURES

The piston seal type YB is composed of:

- A dynamic seal element which assures exceptional low friction and high speed performance, high compatibility with nearly all media due to the chemical resistance which exceeds that of all other thermoplastics and elastomers. Side grooves ensure that pressure loads the energizing O-Ring in all work conditions
- A standard size O-Ring with low permanent deformation as energizing component on the static side

- Low static and dynamic friction
- High speed allowed
- No tendency of stick-slip
- Space-saving construction and simple groove design
- High compatibility with nearly all fluids (with the right choice of O-Ring material)
- High resistance against extrusion
- High temperature resistance

FIELD OF APPLICATION

Pressure	≤ 600 bar
Speed	≤ 15 m/s
Temperature	-30°C ÷ +130°C (with OR in NBR) -30°C ÷ +200°C (with OR in FKM)
Fluids	High compatibility with nearly all fluids (with the right choice of O-Ring material)

SURFACE ROUGHNESS

Dynamic surface	Ra ≤ 0.3 µm	Rt ≤ 2.5 µm
Static surface	Ra ≤ 1.6 µm	Rt ≤ 6.3 µm

GAP DIMENSION "g"

The largest gap dimension appearing [mm] in operation on the non-pressurised side:

L	100 BAR	200 BAR	400 BAR
2.2	0.60	0.40	0.30
3.2	0.80	0.50	0.30
4.2	0.80	0.50	0.40
6.3	1.00	0.60	0.40
8.1	1.20	0.70	0.50
9.5	1.40	1.00	0.60
13.8	2.00	1.40	1.20
> 400 bar ⇒ $g_{max} = H8/f8$			

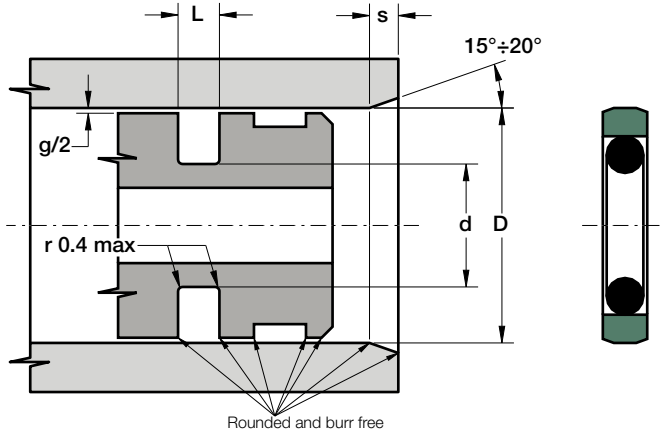
LEAD-IN CHAMFERS

L	s
2.2	2.0
3.2	2.5
4.2	3.5
6.3	5.0

LEAD-IN CHAMFERS

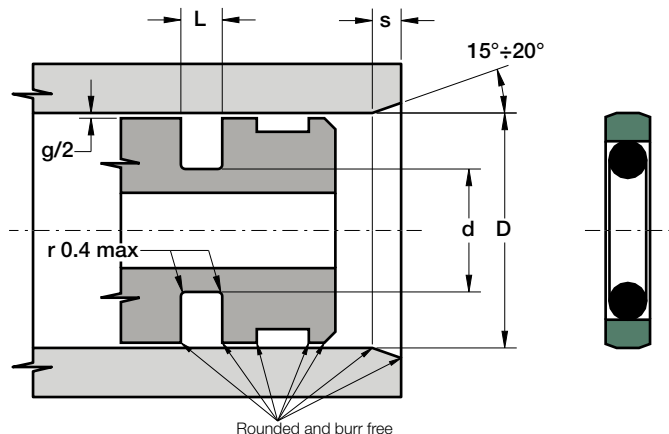
L	s
8.1	6.5
9.5	7.5
13.8	10.0

- to avoid damaging the seal during installation, housing must have rounded chamfers. Sharp edges and burrs within the installation area of the seal must be removed



Part.	D ^{H9}	d ^{h9}	L ^{+0.2}	OR
YB 8 3.1 2.2	8	3.1	2.2	006
YB 10 5.1 2.2	10	5.1	2.2	009
YB 12 7.1 2.2	12	7.1	2.2	011
YB 15 7.5 3.2	15	7.5	3.2	109
YB 16 8.5 3.2	16	8.5	3.2	109
YB 18 10.5 3.2	18	10.5	3.2	110
YB 20 12.5 3.2	20	12.5	3.2	111
YB 22 14.5 3.2	22	14.5	3.2	113
YB 24 16.5 3.2	24	16.5	3.2	809
YB 25 17.5 3.2	25	17.5	3.2	115
YB 28 20.5 3.2	28	20.5	3.2	117
YB 30 22.5 3.2	30	22.5	3.2	118
YB 32 24.5 3.2	32	24.5	3.2	119
YB 35 27.5 3.2	35	27.5	3.2	121
YB 36 28.5 3.2	36	28.5	3.2	122
YB 38 30.5 3.2	38	30.5	3.2	123
YB 39 31.5 3.2	39	31.5	3.2	124
YB 40 29 4.2	40	29.0	4.2	216
YB 42 31 4.2	42	31.0	4.2	217
YB 45 34 4.2	45	34.0	4.2	219
YB 48 37 4.2	48	37.0	4.2	221
YB 50 39 4.2	50	39.0	4.2	222
YB 52 41 4.2	52	41.0	4.2	223
YB 55 44 4.2	55	44.0	4.2	224

Part.	D ^{H9}	d ^{h9}	L ^{+0.2}	OR
YB 57 46 4.2	57	46.0	4.2	827
YB 60 49 4.2	60	49.0	4.2	225
YB 63 52 4.2	63	52.0	4.2	226
YB 64 53 4.2	64	53.0	4.2	226
YB 65 54 4.2	65	54.0	4.2	227
YB 70 59 4.2	70	59.0	4.2	228
YB 75 64 4.2	75	64.0	4.2	230
YB 80 64.5 6.3	80	64.5	6.3	333
YB 85 69.5 6.3	85	69.5	6.3	335
YB 89 73.5 6.3	89	73.5	6.3	336
YB 90 74.5 6.3	90	74.5	6.3	336
YB 95 79.5 6.3	95	79.5	6.3	338
YB 100 84.5 6.3	100	84.5	6.3	339
YB 105 89.5 6.3	105	89.5	6.3	341
YB 110 94.5 6.3	110	94.5	6.3	343
YB 115 99.5 6.3	115	99.5	6.3	344
YB 120 104.5 6.3	120	104.5	6.3	346
YB 125 109.5 6.3	125	109.5	6.3	347
YB 130 114.5 6.3	130	114.5	6.3	349
YB 132 116.5 6.3	132	116.5	6.3	350
YB 133 112 8.1	133	112.0	8.1	425
YB 135 114 8.1	135	114.0	8.1	425
YB 140 119 8.1	140	119.0	8.1	426
YB 145 124 8.1	145	124.0	8.1	428
YB 150 129 8.1	150	129.0	8.1	429
YB 154 133 8.1	154	133.0	8.1	431
YB 155 134 8.1	155	134.0	8.1	431
YB 160 139 8.1	160	139.0	8.1	433
YB 165 144 8.1	165	144.0	8.1	434
YB 170 149 8.1	170	149.0	8.1	436
YB 175 154 8.1	175	154.0	8.1	437
YB 180 159 8.1	180	159.0	8.1	438
YB 185 164 8.1	185	164.0	8.1	874
YB 190 169 8.1	190	169.0	8.1	439
YB 200 179 8.1	200	179.0	8.1	441
YB 210 189 8.1	210	189.0	8.1	442
YB 220 199 8.1	220	199.0	8.1	444
YB 230 209 8.1	230	209.0	8.1	445
YB 240 219 8.1	240	219.0	8.1	446
YB 250 229 8.1	250	229.0	8.1	447

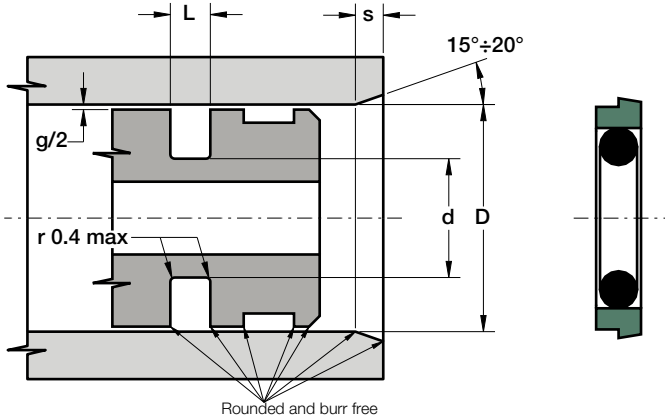


Part.	D ^{H9}	d ^{h9}	L ^{+0.2}	OR
YB 260 239 8.1	260	239.0	8.1	447
YB 270 249 8.1	270	249.0	8.1	448
YB 280 259 8.1	280	259.0	8.1	449
YB 290 269 8.1	290	269.0	8.1	450
YB 300 279 8.1	300	279.0	8.1	451
YB 310 289 8.1	310	289.0	8.1	451

Part.	D ^{H9}	d ^{h9}	L ^{+0.2}	OR
YB 320 299 8.1	320	299.0	8.1	452
YB 330 305.5 8.1	330	305.5	8.1	453
YB 340 315.5 8.1	340	315.5	8.1	453
YB 350 325.5 8.1	350	325.5	8.1	454
YB 360 335.5 8.1	360	335.5	8.1	455
YB 370 345.5 8.1	370	345.5	8.1	456
YB 380 355.5 8.1	380	355.5	8.1	457
YB 390 365.5 8.1	390	365.5	8.1	457
YB 400 375.5 8.1	400	375.5	8.1	458
YB 410 385.5 8.1	410	385.5	8.1	459
YB 420 395.5 8.1	420	395.5	8.1	460
YB 430 405.5 8.1	430	405.5	8.1	461
YB 440 415.5 8.1	440	415.5	8.1	461
YB 450 425.5 8.1	450	425.5	8.1	462
YB 460 435.5 8.1	460	435.5	8.1	463
YB 470 445.5 8.1	470	445.5	8.1	464
YB 480 455.5 8.1	480	455.5	8.1	464
YB 490 465.5 8.1	490	465.5	8.1	465
YB 500 475.5 8.1	500	475.5	8.1	466

Other sizes not present in the above table can be provided in according to the following scheme:

D			d	L	S. OR
Light series	Standard series	Heavy series			
15 ÷ 39.9	8 ÷ 14.9		D - 4.9	2.2	1.78
40 ÷ 79.9	15 ÷ 39.9		D - 7.5	3.2	2.62
80 ÷ 132.9	40 ÷ 79.9	15 ÷ 39.9	D - 11.0	4.2	3.53
133 ÷ 329.9	80 ÷ 132.9	40 ÷ 79.9	D - 15.5	6.3	5.34
330 ÷ 669.9	133 ÷ 329.9	80 ÷ 132.9	D - 21.0	8.1	6.99
670 ÷ 999.9	330 ÷ 669.9	133 ÷ 329.9	D - 24.5	8.1	6.99
	670 ÷ 999.9	330 ÷ 669.9	D - 28.0	9.5	8.40
	> 1000		D - 38.0	13.8	12.0



DESCRIPTION

Single acting piston seal

MATERIAL ON DYNAMIC SURFACE

Type: Polytetrafluoroethylene + Bronze

Designation: SEALFLON + Bronze

⇒ it can be provided with different fillers according to applications

MATERIAL ON STATIC SURFACE

Type: Nitril Rubber NBR

Designation: RUBSEAL 70

Hardness: 70 °ShA

⇒ it can be provided with different materials according to working conditions

MAIN FEATURES

The piston seal type YAB is composed of:

- A dynamic seal element which assures exceptional low friction and high speed performance, high compatibility with nearly all media due to the chemical resistance which exceeds that of all other thermoplastics and elastomers.
- A standard size O-Ring with low permanent deformation as energizing component on the static side
- Low static and dynamic friction
- High speed allowed
- No tendency of stick-slip
- Space-saving construction and simple groove design
- High compatibility with nearly all fluids (with the right choice of O-Ring material)
- High resistance against extrusion
- High temperature resistance

FIELD OF APPLICATION

Pressure	≤ 600 bar
Speed	≤ 15 m/s
Temperature	-30°C ÷ +130°C (with OR in NBR) -30°C ÷ +200°C (with OR in FKM)
Fluids	High compatibility with nearly all fluids (with the right choice of O-Ring material)

SURFACE ROUGHNESS

Dynamic surface	Ra ≤ 0.3 µm	Rt ≤ 2.5 µm
Static surface	Ra ≤ 1.6 µm	Rt ≤ 6.3 µm

GAP DIMENSION "g"

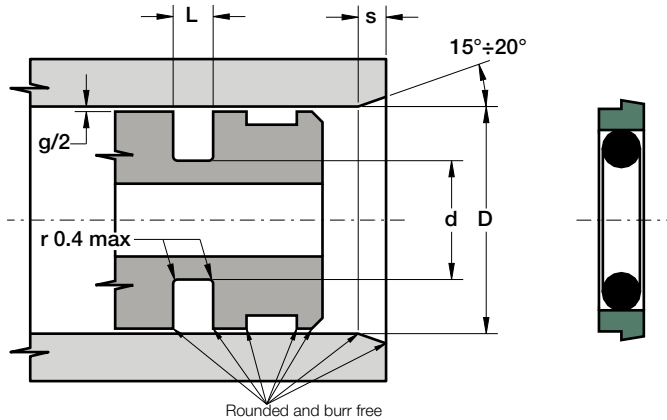
The largest gap dimension [mm] appearing in operation on the non-presurised side:

L	100 BAR	200 BAR	400 BAR
2.2	0.60	0.40	0.30
3.2	0.80	0.50	0.30
4.2	0.80	0.50	0.40
6.3	1.00	0.60	0.40
8.1	1.20	0.70	0.50
9.5	1.40	1.00	0.60
13.8	2.00	1.40	1.20
> 400 bar ⇒ $g_{max} = H8/f8$			

LEAD-IN CHAMFERS

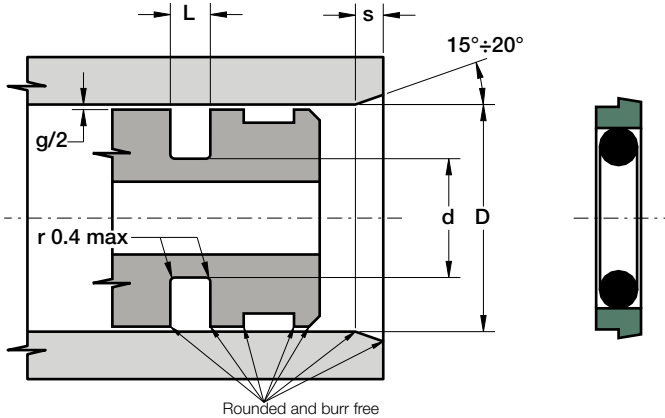
L	S	L	S
2.2	2.0	8.1	6.5
3.2	2.5	9.5	7.5
4.2	3.5	13.8	10.0
6.3	5.0		

- to avoid damaging the seal during installation, housing must have rounded chamfers. Sharp edges and burrs within the installation area of the seal must be removed



Part.	D ^{H9}	d ^{h9}	L ^{+0.2}	OR
YAB 8 3.1 2.2	8	3.1	2.2	006
YAB 10 5.1 2.2	10	5.1	2.2	009
YAB 12 7.1 2.2	12	7.1	2.2	011
YAB 15 10.1 2.2	15	10.1	2.2	012
YAB 16 11.1 2.2	16	11.1	2.2	013
YAB 18 10.7 3.2	18	10.7	3.2	111
YAB 20 12.7 3.2	20	12.7	3.2	112
YAB 22 14.7 3.2	22	14.7	3.2	113
YAB 24 16.7 3.2	24	16.7	3.2	809
YAB 25 17.7 3.2	25	17.7	3.2	115
YAB 28 17.3 4.2	28	17.3	4.2	209
YAB 30 19.3 4.2	30	19.3	4.2	210
YAB 32 21.3 4.2	32	21.3	4.2	211
YAB 35 24.3 4.2	35	24.3	4.2	213
YAB 36 25.3 4.2	36	25.3	4.2	214
YAB 38 27.3 4.2	38	27.3	4.2	215
YAB 39 28.3 4.2	39	28.3	4.2	215
YAB 40 29.3 4.2	40	29.3	4.2	216
YAB 42 31.3 4.2	42	31.3	4.2	217
YAB 45 34.3 4.2	45	34.3	4.2	219
YAB 48 37.3 4.2	48	37.3	4.2	221
YAB 50 39.3 4.2	50	39.3	4.2	222
YAB 52 41.3 4.2	52	41.3	4.2	223
YAB 55 44.3 4.2	55	44.3	4.2	224
YAB 57 46.3 4.2	57	46.3	4.2	828

Part.	D ^{H9}	d ^{h9}	L ^{+0.2}	OR
YAB 60 44.9 6.3	60	44.9	6.3	327
YAB 63 47.9 6.3	63	47.9	6.3	328
YAB 64 48.9 6.3	64	48.9	6.3	328
YAB 65 49.9 6.3	65	49.9	6.3	328
YAB 70 54.9 6.3	70	54.9	6.3	330
YAB 75 59.9 6.3	75	59.9	6.3	332
YAB 80 64.9 6.3	80	64.9	6.3	333
YAB 85 69.9 6.3	85	69.9	6.3	335
YAB 89 73.9 6.3	89	73.9	6.3	336
YAB 90 74.9 6.3	90	74.9	6.3	336
YAB 95 79.9 6.3	95	79.9	6.3	337
YAB 100 84.9 6.3	100	84.9	6.3	340
YAB 105 89.9 6.3	105	89.9	6.3	341
YAB 110 94.9 6.3	110	94.9	6.3	343
YAB 115 99.9 6.3	115	99.9	6.3	344
YAB 120 104.9 6.3	120	104.9	6.3	346
YAB 125 109.9 6.3	125	109.9	6.3	347
YAB 130 114.9 6.3	130	114.9	6.3	349
YAB 132 116.9 6.3	132	116.9	6.3	349
YAB 133 117.9 6.3	133	117.9	6.3	350
YAB 135 119.9 6.3	135	119.9	6.3	351
YAB 140 124.9 6.3	140	124.9	6.3	352
YAB 145 129.9 6.3	145	129.9	6.3	353
YAB 150 134.9 6.3	150	134.9	6.3	355
YAB 154 138.9 6.3	154	138.9	6.3	356
YAB 155 139.9 6.3	155	139.9	6.3	356
YAB 160 144.9 6.3	160	144.9	6.3	358
YAB 165 149.9 6.3	165	149.9	6.3	360
YAB 170 154.9 6.3	170	154.9	6.3	361
YAB 175 159.9 6.3	175	159.9	6.3	362
YAB 180 164.9 6.3	180	164.9	6.3	363
YAB 185 169.9 6.3	185	169.9	6.3	363
YAB 190 174.9 6.3	190	174.9	6.3	364
YAB 200 179.5 8.1	200	179.5	8.1	441
YAB 210 189.5 8.1	210	189.5	8.1	443
YAB 220 199.5 8.1	220	199.5	8.1	444
YAB 230 209.5 8.1	230	209.5	8.1	445
YAB 240 219.5 8.1	240	219.5	8.1	446
YAB 250 229.5 8.1	250	229.5	8.1	447
YAB 260 236 8.1	260	236.0	8.1	447

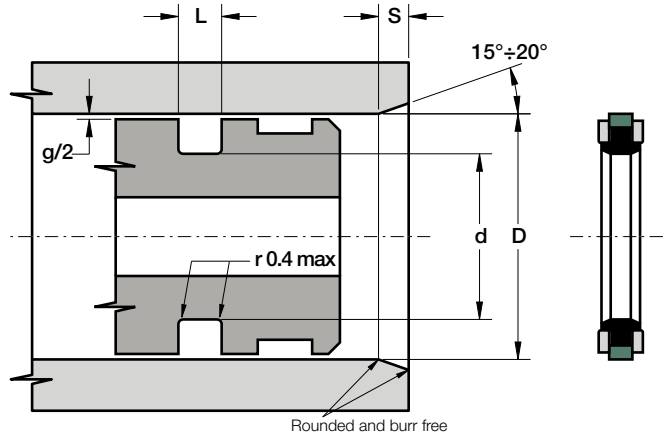


Part.	D ^{H9}	d ^{h9}	L ^{+0.2}	OR
YAB 270 246 8.1	270	246.0	8.1	448
YAB 280 256 8.1	280	256.0	8.1	449
YAB 290 266 8.1	290	266.0	8.1	449
YAB 300 276 8.1	300	276.0	8.1	451
YAB 310 286 8.1	310	286.0	8.1	451
YAB 320 296 8.1	320	296.0	8.1	452

Part.	D ^{H9}	d ^{h9}	L ^{+0.2}	OR
YAB 330 306 8.1	330	306.0	8.1	453
YAB 340 316 8.1	340	316.0	8.1	453
YAB 350 326 8.1	350	326.0	8.1	454
YAB 360 336 8.1	360	336.0	8.1	455
YAB 370 346 8.1	370	346.0	8.1	456
YAB 380 356 8.1	380	356.0	8.1	457
YAB 390 366 8.1	390	366.0	8.1	457
YAB 400 376 8.1	400	376.0	8.1	458
YAB 410 386 8.1	410	386.0	8.1	459
YAB 420 396 8.1	420	396.0	8.1	460
YAB 430 406 8.1	430	406.0	8.1	461
YAB 440 416 8.1	440	416.0	8.1	461
YAB 450 426 8.1	450	426.0	8.1	462
YAB 460 436 8.1	460	436.0	8.1	463
YAB 470 446 8.1	470	446.0	8.1	464
YAB 480 456 8.1	480	456.0	8.1	464
YAB 490 466 8.1	490	466.0	8.1	465
YAB 500 476 8.1	500	476.0	8.1	466

Other sizes not present in the above table can be provided in according to the following scheme:

D			d	L	S. OR
Light series	Standard series	Heavy series			
17 ÷ 26.9	8 ÷ 16.9		D - 4.9	2.2	1.78
27 ÷ 59.9	17 ÷ 26.9		D - 7.3	3.2	2.62
60 ÷ 199.9	27 ÷ 59.9	17 ÷ 26.9	D - 10.7	4.2	3.53
200 ÷ 255.9	60 ÷ 199.9	27 ÷ 59.9	D - 15.1	6.3	5.34
256 ÷ 669.9	200 ÷ 255.9	60 ÷ 199.9	D - 20.5	8.1	6.99
670 ÷ 999.9	256 ÷ 669.9	200 ÷ 255.9	D - 24.0	8.1	6.99
	670 ÷ 999.9	256 ÷ 669.9	D - 27.3	9.5	8.40
	> 1000		D - 38.0	13.8	12.0



DESCRIPTION

Double acting piston seal

MATERIAL ON DYNAMIC SURFACE

Type: Polytetrafluoroethylene + Bronze
Designation: SEALFLON + Bronze

MATERIAL ON STATIC SURFACE

Type: Nitril Rubber NBR
Designation: RUBSEAL 80
Hardness: 80 °ShA

MATERIAL OF ANTIEXTRUSION RINGS

Type: Polyamide resin PA

MAIN FEATURES

The KHD is a double acting piston seal for high pressure operation and is composed of:

- A dynamic seal element which assures exceptional low friction and high speed performance, high compatibility with nearly all media due to the chemical resistance which exceeds that of all other thermoplastics and elastomers
- A rubber element with low permanent deformation as energizing component on the static side
- Two backup rings which offset large gaps or structural deflections without extrusion and assure high longevity

- Low static and dynamic friction
- No tendency of stick-slip
- Space-saving construction and simple groove design
- High resistance against extrusion
- Extended service life

FIELD OF APPLICATION

Pressure	≤ 500 bar
Speed	≤ 1.5 m/s
Temperature	-20°C ÷ +120°C
Fluids	High compatibility with nearly all fluids <i>(with the right choice of O-Ring material)</i>

SURFACE ROUGHNESS

Dynamic surface	Ra ≤ 0.3 µm	Rt ≤ 2.5 µm
Static surface	Ra ≤ 1.6 µm	Rt ≤ 6.3 µm

GAP DIMENSION “g”

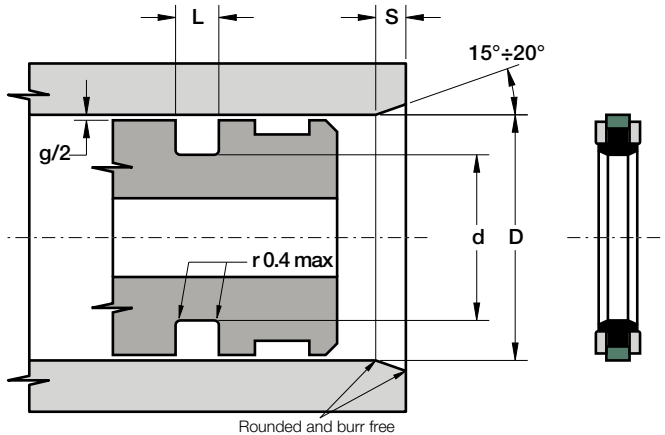
The largest gap dimension appearing in operation on the non-pressurised side:

• 300 bar	1.0 mm
• 500 bar	0.6 mm

LEAD-IN CHAMFERS

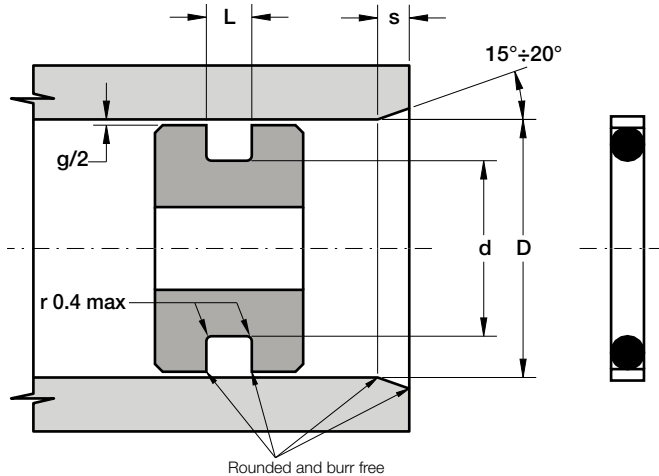
D	S MIN
• 0 ÷ 60	4.5 mm
• 70 ÷ 120	5.0 mm
• 125 ÷ 200	6.5 mm

- to avoid damaging the seal during installation, housing must have rounded chamfers. Sharp edges and burrs within the installation area of the seal must be removed



Part.	D ^{H9}	d ^{±0.1}	L ^{+0.2}
KHD 185 162 16	185	162	16
KHD 200 177 16	200	177	16

Part.	D ^{H9}	d ^{±0.1}	L ^{+0.2}
KHD 50 36 9	50	36	9
KHD 60 46 9	60	46	9
KHD 65 50 11	65	50	11
KHD 70 55 11	70	55	11
KHD 75 60 11	75	60	11
KHD 80 65 11	80	65	11
KHD 85 70 11	85	70	11
KHD 90 75 11	90	75	11
KHD 95 80 11	95	80	11
KHD 100 85 12.5	100	85	12.5
KHD 105 90 12.5	105	90	12.5
KHD 110 95 12.5	110	95	12.5
KHD 115 100 12.5	115	100	12.5
KHD 120 105 12.5	120	105	12.5
KHD 125 102 16	125	102	16
KHD 130 107 16	130	107	16
KHD 135 112 16	135	112	16
KHD 140 117 16	140	117	16
KHD 145 122 16	145	122	16
KHD 150 127 16	150	127	16
KHD 160 137 16	160	137	16
KHD 165 142 16	165	142	16
KHD 170 147 16	170	147	16
KHD 180 157 16	180	157	16



DESCRIPTION

Double acting piston seal

MATERIAL ON DYNAMIC SURFACE

Type: Polytetrafluoroethylene + carbon
 Designation: SEALFLON

⇒ it can be provided with different fillers according to applications

MATERIAL ON STATIC SURFACE

Type: Nitril Rubber NBR
 Designation: RUBSEAL 70
 Hardness: 70 °ShA

⇒ it can be provided with different materials according to working conditions

MAIN FEATURES

The piston seal type YL, mainly suitable for low pressure conditions or pneumatic field, is composed of:

- A dynamic seal element which assures exceptional low friction and high speed performance, high compatibility with nearly all media due to the chemical resistance which exceeds that of all other thermoplastics and elastomers
 - A standard size O-Ring with low permanent deformation as energizing component on the static side
- Low static and dynamic friction, also without lubrication
 - No tendency of stick-slip
 - Space-saving construction and simple groove design
 - Good resistance against extrusion
 - High compatibility with nearly all fluids (with the right choice of O-Ring material)
 - High speed allowed
 - High temperature resistance

FIELD OF APPLICATION

Pressure	≤ 160 bar
Speed	≤ 2 m/s
Temperature	-30°C ÷ +130°C (con OR in NBR) -30°C ÷ +200°C (con OR in FKM)
Fluids	High compatibility with nearly all fluids (with the right choice of O-Ring material)

SURFACE ROUGHNESS

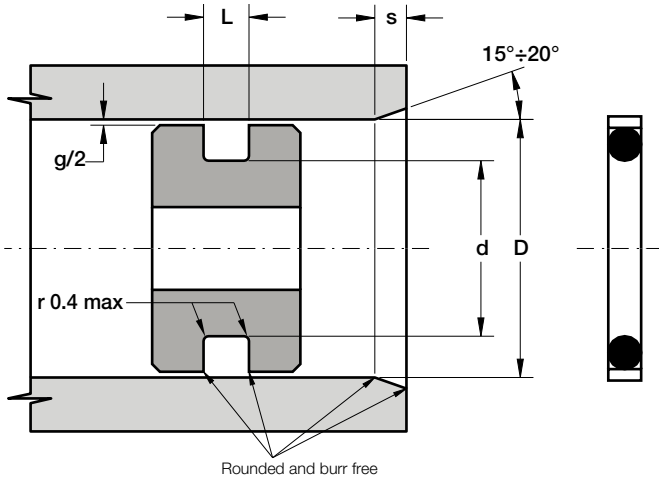
Dynamic surface	Ra ≤ 0.3 µm	Rt ≤ 2.5 µm
Static surface	Ra ≤ 1.6 µm	Rt ≤ 6.3 µm

GAP DIMENSION “g”

The largest gap dimension appearing in operation on the non-pressurised side must comply with the ISO H8/f7:

LEAD-IN CHAMFERS		LEAD-IN CHAMFERS	
L	s	L	s
2	3.0	6	6.0
3	3.5	8	8.0
4	4.5		

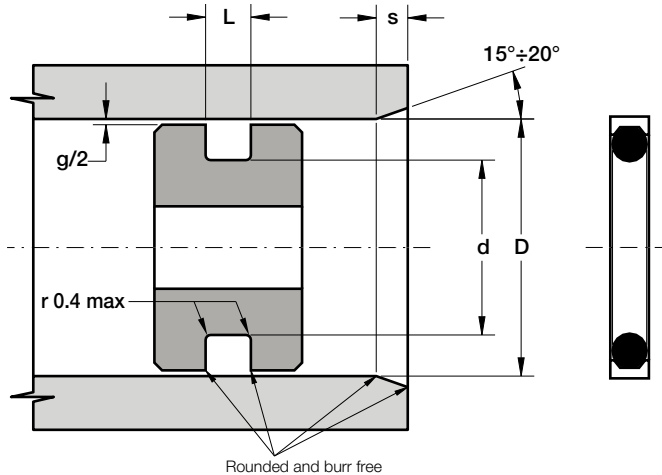
- to avoid damaging the seal during installation, housing must have rounded chamfers. Sharp edges and burrs within the installation area of the seal must be removed



Part.	D ^{H8}	d ^{h9}	L ^{+0.2}	OR
YL 007-8	8	3.4	2	007
YL 008-9	9	4.4	2	008
YL 009-10	10	5.5	2	009
YL 010-11	11	6.5	2	010
YL 011-12	12	7.4	2	011
YL 012-14	14	9.5	2	012
YL 013-15	15	10.4	2	013
YL 613-16	16	9.8	3	613
YL 111-17	17	10.8	3	111
YL 614-18	18	11.8	3	614
YL 113-20	20	13.8	3	113
YL 114-22	22	15.8	3	114
YL 116-25	25	18.8	3	116
YL 211-28	28	20.0	4	211
YL 212-30	30	22.0	4	212
YL 213-32	32	24.0	4	213
YL 215-35	35	27.0	4	215
YL 216-36	36	28.0	4	216
YL 217-38	38	30.0	4	217
YL 218-40	40	32.0	4	218
YL 219-42	42	34.0	4	219
YL 221-45	45	37.0	4	221
YL 824-48	48	40.0	4	824

Part.	D ^{H8}	d ^{h9}	L ^{+0.2}	OR
YL 325-50	50	38.3	6	325
YL 326-55	55	43.5	6	326
YL 327-56	56	44.3	6	327
YL 328-60	60	48.3	6	328
YL 329-63	63	51.3	6	329
YL 330-65	65	53.3	6	330
YL 331-70	70	58.4	6	331
YL 333-75	75	62.9	6	333
YL 334-80	80	68.0	6	334
YL 336-85	85	72.9	6	336
YL 337-90	90	78.0	6	337
YL 339-95	95	82.9	6	339
YL 340-100	100	88.0	6	340
YL 344-110	110	97.9	6	344
YL 347-120	120	107.9	6	347
YL 348-125	125	112.5	6	348
YL 860-130	130	117.5	6	860
YL 428-140	140	124.5	8	428
YL 431-150	150	134.5	8	431
YL 434-160	160	144.5	8	434
YL 437-170	170	153.7	8	437
YL 874-180	180	163.7	8	874
YL 440-190	190	173.7	8	440
YL 442-200	200	183.7	8	442
YL 678-250	250	233.7	8	678
YL 682-280	280	263.7	8	682
YL 451-300	300	283.7	8	451

Other sizes not present in the above table can be provided on request



DESCRIPTION

Double acting piston seal

MATERIAL ON DYNAMIC SURFACE

Type: Polytetrafluoroethylene

Designation: SEALFLON

⇒ it can be provided with different fillers according to applications

MATERIAL ON STATIC SURFACE

Type: Nitril Rubber NBR

Designation: RUBSEAL 70

Hardness: 70 °ShA

⇒ it can be provided with different materials according to working conditions

MAIN FEATURES

The piston seal type YP, mainly suitable for low pressure conditions or pneumatic field, is composed of:

- A dynamic seal element which assures exceptional low friction and high speed performance, high compatibility with nearly all media due to the chemical resistance which exceeds that of all other thermoplastics and elastomers.
 - A standard size O-Ring with low permanent deformation as energizing component on the static side
- Low static and dynamic friction, also without lubrication
 - No tendency of stick-slip
 - Space-saving construction and simple groove design
 - Good resistance against extrusion
 - High compatibility with nearly all fluids (with the right choice of O-Ring material)
 - High speed allowed
 - High temperature resistance

FIELD OF APPLICATION

Pressure	≤ 210 bar
Speed	≤ 4 m/s
Temperature	-30°C ÷ +130°C (con OR in NBR) -30°C ÷ +200°C (con OR in FKM)
Fluids	High compatibility with nearly all fluids (with the right choice of O-Ring material)

SURFACE ROUGHNESS

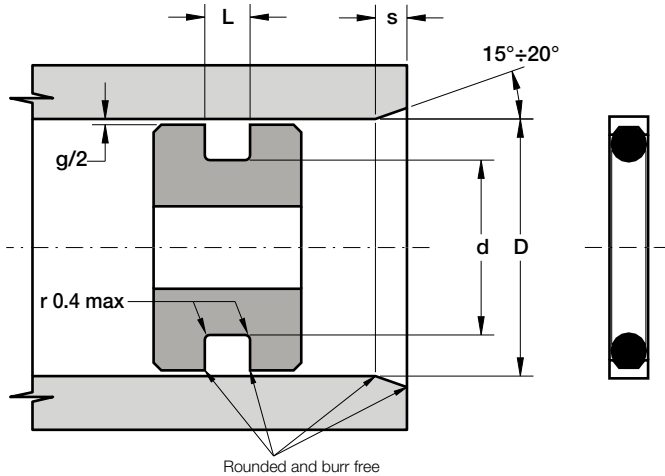
Dynamic surface	Ra ≤ 0.3 µm	Rt ≤ 2.5 µm
Static surface	Ra ≤ 1.6 µm	Rt ≤ 6.3 µm

GAP DIMENSION “g”

The largest gap dimension appearing in operation on the non-pressurised side must comply with the ISO H8/f7:

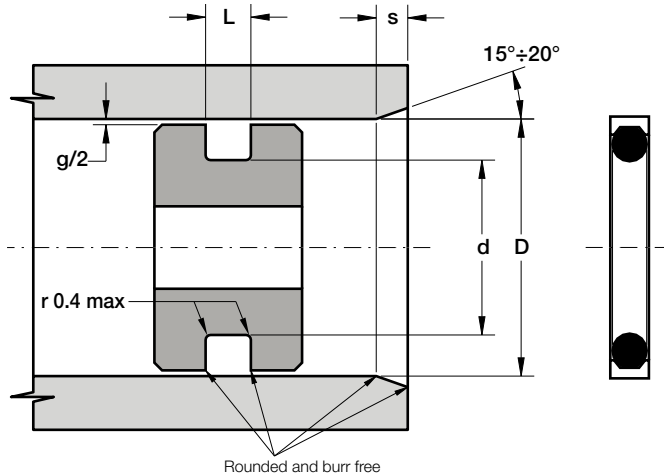
LEAD-IN CHAMFERS		LEAD-IN CHAMFERS	
L	s	L	s
2.5	2.0	7.0	4.0
3.5	2.5	9.5	5.0
4.5	3.0		

- to avoid damaging the seal during installation, housing must have rounded chamfers. Sharp edges and burrs within the installation area of the seal must be removed



Part.	D ^{H8}	d ^{h9}	L ^{+0.2}	OR
YP 004-6	6	2.8	2.5	004
YP 006-7	7	3.7	2.5	006
YP 008-8	8	4.7	2.5	008
YP 009-9	9	5.7	2.5	009
YP 010-10	10	6.8	2.5	010
YP 011-11	11	7.6	2.5	011
YP 012-13	13	9.7	2.5	012
YP 110-15	15	10.1	3.5	110
YP 111-16	16	10.9	3.5	111
YP 112-18	18	13.1	3.5	112
YP 113-20	20	14.7	3.5	113
YP 114-21	21	15.9	3.5	114
YP 115-22	22	16.6	3.5	115
YP 116-25	25	19.8	3.5	116
YP 210-26	26	19.1	4.5	210
YP 211-28	28	21.2	4.5	211
YP 212-29	29	22.0	4.5	212
YP 213-30	30	22.9	4.5	213
YP 214-32	32	25.0	4.5	214
YP 215-34	34	27.0	4.5	215
YP 216-35	35	28.0	4.5	216
YP 217-37	37	30.0	4.5	217
YP 218-38	38	30.9	4.5	218

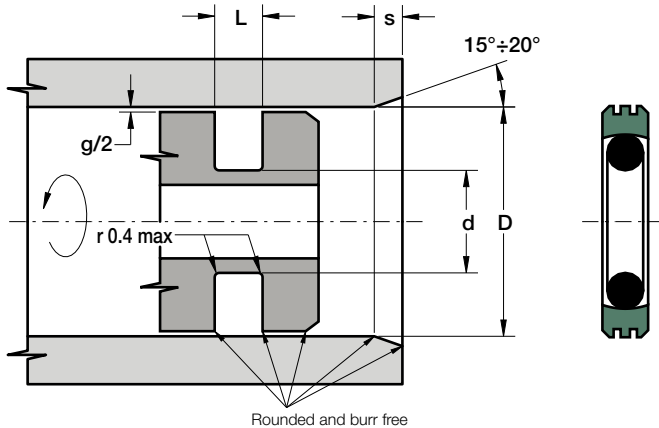
Part.	D ^{H8}	d ^{h9}	L ^{+0.2}	OR
YP 219-40	40	32.9	4.5	219
YP 220-42	42	35.0	4.5	220
YP 221-43	43	35.9	4.5	221
YP 222-45	45	37.9	4.5	222
YP 325-50	50	39.6	7.0	325
YP 326-52	52	41.8	7.0	326
YP 327-55	55	44.7	7.0	327
YP 328-58	58	47.7	7.0	328
YP 329-61	61	50.5	7.0	329
YP 330-65	65	54.7	7.0	330
YP 331-68	68	57.7	7.0	331
YP 332-70	70	59.5	7.0	332
YP 333-75	75	64.5	7.0	333
YP 334-77	77	66.6	7.0	334
YP 335-80	80	69.6	7.0	335
YP 336-85	85	74.5	7.0	336
YP 337-86	86	75.5	7.0	337
YP 338-90	90	79.5	7.0	338
YP 339-92	92	81.5	7.0	339
YP 340-95	95	84.5	7.0	340
YP 341-100	100	89.6	7.0	341
YP 342-102	102	91.5	7.0	342
YP 343-105	105	94.5	7.0	343
YP 344-108	108	97.5	7.0	344
YP 345-111	111	100.6	7.0	345
YP 346-115	115	104.5	7.0	346
YP 347-118	118	107.5	7.0	347
YP 348-121	121	110.5	7.0	348
YP 349-125	125	114.5	7.0	349
YP 425-127	127	113.3	9.5	425
YP 426-130	130	116.3	9.5	426
YP 427-135	135	121.3	9.5	427
YP 428-137	137	123.3	9.5	428
YP 429-140	140	126.3	9.5	429
YP 430-143	143	129.3	9.5	430
YP 431-146	146	132.3	9.5	431
YP 432-150	150	136.3	9.5	432
YP 433-153	153	139.3	9.5	433
YP 434-156	156	142.3	9.5	434
YP 435-160	160	146.3	9.5	435



Part.	D ^{H8}	d ^{h9}	L ^{+0.2}	OR
YP 436-162	162	148.3	9.5	436
YP 437-165	165	151.3	9.5	437
YP 438-172	172	158.3	9.5	438
YP 439-178	178	164.3	9.5	439
YP 440-184	184	170.3	9.5	440
YP 441-191	191	177.3	9.5	441
YP 442-197	197	183.3	9.5	442
YP 443-203	203	189.3	9.5	443
YP 444-210	210	196.3	9.5	444
YP 445-216	216	202.3	9.5	445
YP 674-222	222	208.3	9.5	674
YP 446-230	230	216.3	9.5	446
YP 676-235	235	221.3	9.5	676
YP 447-242	242	228.3	9.5	447
YP 678-250	250	236.3	9.5	678
YP 448-255	255	241.3	9.5	448
YP 680-260	260	246.3	9.5	680
YP 449-270	270	256.3	9.5	449
YP 682-275	275	261.3	9.5	682
YP 450-280	280	266.3	9.5	450
YP 684-286	286	272.3	9.5	684
YP 451-295	295	281.3	9.5	451
YP 686-300	300	286.3	9.5	686

Part.	D ^{H8}	d ^{h9}	L ^{+0.2}	OR
YP 452-305	305	291.3	9.5	452
YP 688-315	315	301.3	9.5	688
YP 453-320	320	306.3	9.5	453
YP 454-330	330	316.3	9.5	454
YP 455-345	345	331.3	9.5	455
YP 456-355	355	341.3	9.5	456
YP 457-370	370	356.3	9.5	457
YP 458-380	380	366.3	9.5	458
YP 459-395	395	381.3	9.5	459
YP 460-410	410	396.3	9.5	460

Other sizes not present in the above table can be provided in according to the following scheme:



DESCRIPTION

Double acting seal for rotating piston

MATERIAL ON DYNAMIC SURFACE

Type: Polytetrafluoroethylene + Bronze

Designation: SEALFLON + Bronze

⇒ it can be provided with different fillers according to applications

MATERIAL ON STATIC SURFACE

Type: Nitril Rubber NBR

Designation: RUBSEAL 70

Hardness: 70 °ShA

⇒ it can be provided with different materials according to working conditions

MAIN FEATURES

The piston seal type YRB, used preferably for hydraulic joints and rotary joints, is composed of:

- A dynamic seal element which assures exceptional low friction and high speed performance, high compatibility with nearly all media due to the chemical resistance which exceeds that of all other thermoplastics and elastomers
- A standard size O-Ring with low permanent deformation as energizing component on the static side

- Low static and dynamic friction
- High speed allowed
- No tendency of stick-slip
- Can also work for single action
- Space-saving construction and simple groove design
- High compatibility with nearly all fluids (with the right choice of O-Ring material)
- High resistance against extrusion
- High temperature resistance

FIELD OF APPLICATION

Pressure	≤ 400 bar
Speed	≤ 1 m/s (lubricated and continuous)
(rotating)	≤ 5 m/s (intermittent)
Temperature	-30°C ÷ +130°C (with OR in NBR)
	-30°C ÷ +200°C (with OR in FKM)
Fluids	High compatibility with nearly all fluids (with the right choice of O-Ring material)

SURFACE ROUGHNESS

Dynamic surface	Ra ≤ 0.3 µm	Rt ≤ 2.5 µm
Static surface	Ra ≤ 1.6 µm	Rt ≤ 6.3 µm

GAP DIMENSION "g"

The largest gap dimension [mm] appearing in operation on the non-pressurised side:

L	100 BAR	200 BAR	300 BAR
2.2	0.30	0.20	0.10
3.2	0.50	0.30	0.20
4.2	0.50	0.30	0.20
6.3	0.60	0.40	0.30
8.1	0.60	0.40	0.30
9.5	0.90	0.60	0.50
≥ 400 bar ⇒ $g_{max} = H8/f8$			

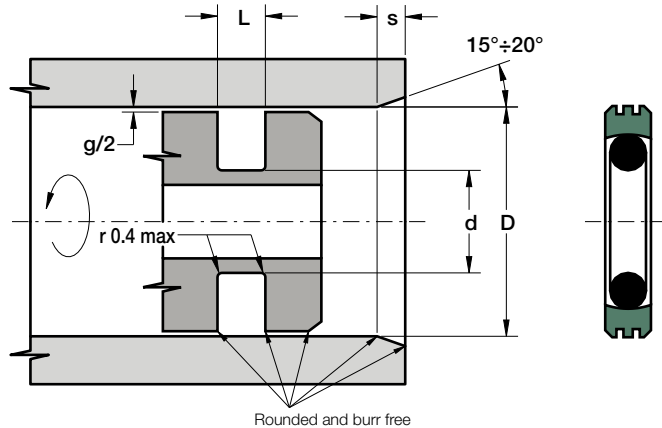
LEAD-IN CHAMFERS

L	s	L	s
2.2	2.0	6.3	5.0
3.2	2.5	8.1	6.5
4.2	3.5	9.5	7.5

- to avoid damaging the seal during installation, housing must have rounded chamfers. Sharp edges and burrs within the installation area of the seal must be removed

YRB

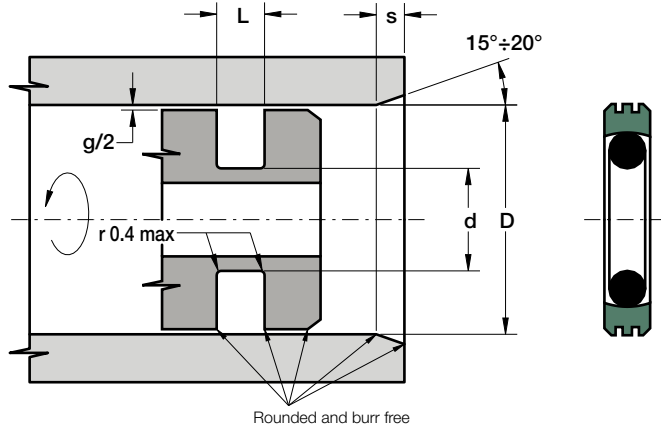
DOUBLE ACTING SEAL
FOR ROTATING PISTON



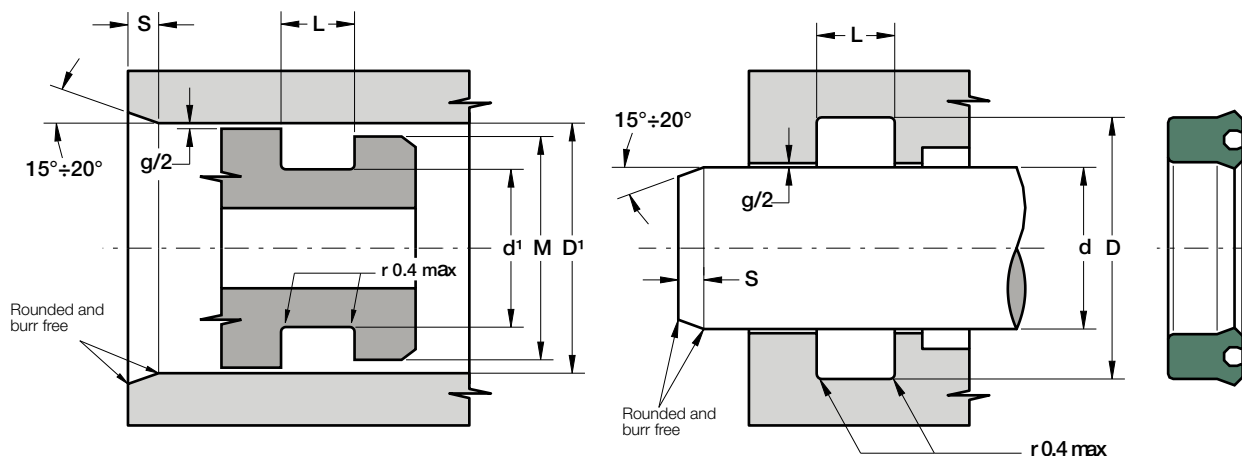
Part.	D ^{H10}	d ^{h9}	L ^{+0.2}	OR
YRB 8 3.1 2.2	8	3.1	2.2	006
YRB 10 5.1 2.2	10	5.1	2.2	009
YRB 12 7.1 2.2	12	7.1	2.2	610
YRB 15 10.1 2.2	15	10.1	2.2	012
YRB 16 11.1 2.2	16	11.1	2.2	013
YRB 18 13.1 2.2	18	13.1	2.2	014
YRB 20 15.1 2.2	20	15.1	2.2	015
YRB 22 17.1 2.2	22	17.1	2.2	016
YRB 25 20.1 2.2	25	20.1	2.2	018
YRB 28 23.1 2.2	28	23.1	2.2	020
YRB 30 25.1 2.2	30	25.1	2.2	022
YRB 32 27.1 2.2	32	27.1	2.2	023
YRB 35 30.1 2.2	35	30.1	2.2	025
YRB 38 33.1 2.2	38	33.1	2.2	027
YRB 40 32.5 3.2	40	32.5	3.2	125
YRB 42 34.5 3.2	42	34.5	3.2	126
YRB 45 37.5 3.2	45	37.5	3.2	127
YRB 48 40.5 3.2	48	40.5	3.2	130
YRB 50 42.5 3.2	50	42.5	3.2	131
YRB 55 47.5 3.2	55	47.5	3.2	134
YRB 60 52.5 3.2	60	52.5	3.2	137
YRB 63 55.5 3.2	63	55.5	3.2	139
YRB 65 57.5 3.2	65	57.5	3.2	140
YRB 70 62.5 3.2	70	62.5	3.2	144
YRB 75 67.5 3.2	75	67.5	3.2	147

Part.	D ^{H10}	d ^{h9}	L ^{+0.2}	OR
YRB 80 69 4.2	80	69.0	4.2	232
YRB 85 74 4.2	85	74.0	4.2	845
YRB 90 79 4.2	90	79.0	4.2	235
YRB 95 84 4.2	95	84.0	4.2	236
YRB 100 89 4.2	100	89.0	4.2	238
YRB 105 94 4.2	105	94.0	4.2	240
YRB 110 99 4.2	110	99.0	4.2	241
YRB 115 104 4.2	115	104.0	4.2	243
YRB 120 109 4.2	120	109.0	4.2	244
YRB 125 114 4.2	125	114.0	4.2	246
YRB 130 119 4.2	130	119.0	4.2	247
YRB 140 125.5 6.3	140	124.5	6.3	352
YRB 150 134.5 6.3	150	134.5	6.3	355
YRB 160 144.5 6.3	160	144.5	6.3	358
YRB 170 154.5 6.3	170	154.5	6.3	361
YRB 180 164.5 6.3	180	164.5	6.3	363
YRB 190 174.5 6.3	190	174.5	6.3	364
YRB 200 184.5 6.3	200	184.5	6.3	366
YRB 210 194.5 6.3	210	194.5	6.3	367
YRB 220 204.5 6.3	220	204.5	6.3	369
YRB 240 224.5 6.3	240	224.5	6.3	372
YRB 250 234.5 6.3	250	234.5	6.3	374
YRB 280 264.5 6.3	280	264.5	6.3	377
YRB 300 284.5 6.3	300	284.5	6.3	379
YRB 320 304.5 6.3	320	304.5	6.3	381
YRB 350 329 8.1	350	329.0	8.1	455
YRB 360 339 8.1	360	339.0	8.1	456
YRB 400 379 8.1	400	379.0	8.1	458
YRB 420 399 8.1	420	399.0	8.1	460
YRB 450 429 8.1	450	429.0	8.1	463
YRB 480 459 8.1	480	459.0	8.1	465
YRB 500 479 8.1	500	479.0	8.1	467
YRB 520 499 8.1	520	499.0	8.1	468
YRB 550 529 8.1	550	529.0	8.1	470
YRB 600 579 8.1	600	579.0	8.1	472
YRB 650 629 8.1	650	629.0	8.1	474
YRB 700 672 9.5	700	672.0	9.5	670x8.4
YRB 750 722 9.5	750	722.0	9.5	720x8.4

Other sizes not present in the above table can be provided in according to the following scheme:



D	d	L	S. OR
8 ÷ 39.9	D - 4.9	2.20	1.78
40 ÷ 79.9	D - 7.5	3.20	2.62
80 ÷ 132.9	D - 11.0	4.20	3.53
133 ÷ 329.9	D - 15.5	6.30	5.34
330 ÷ 669.9	D - 21.0	8.10	6.99
670 ÷ 999.9	D - 28.0	9.50	8.40



DESCRIPTION

Rod and piston seal with symmetric lips

MATERIAL

Type: Polyurethane
 Designation: SEALPUR 93
 Hardness: 93 °ShA

MAIN FEATURES

The seal type UP is a high performance all purpose lipseal suitable for both rod and piston.

The UP profile assures a good reaction against shock pressure peaks and low friction in all conditions.

The material used to produce this seal is a polyurethane compound that ensures excellent properties on wear-resistance, extended service life and resistance against extrusion.

- Suitable for both rod and piston
- Economical solution
- Excellent wear-resistance
- Extended service life
- High resistance against extrusion
- Good temperature resistance
- Easy installation without expensive auxiliaries

FIELD OF APPLICATION

Pressure	≤ 400 bar
Speed	≤ 0.5 m/s
Temperature	-40°C ÷ +100°C
Fluids	Hydraulic oils (mineral oil based).
	<i>For other fluids contact our technical department</i>

SURFACE ROUGHNESS

Dynamic surface	Ra ≤ 0.3 µm	Rt ≤ 2.5 µm
Static surface	Ra ≤ 1.6 µm	Rt ≤ 6.3 µm

GAP DIMENSION “g”

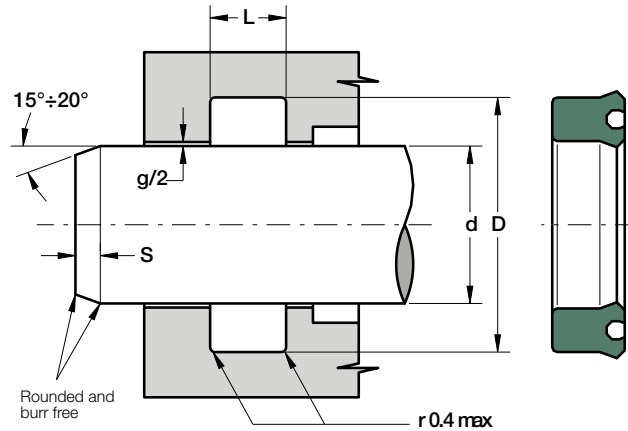
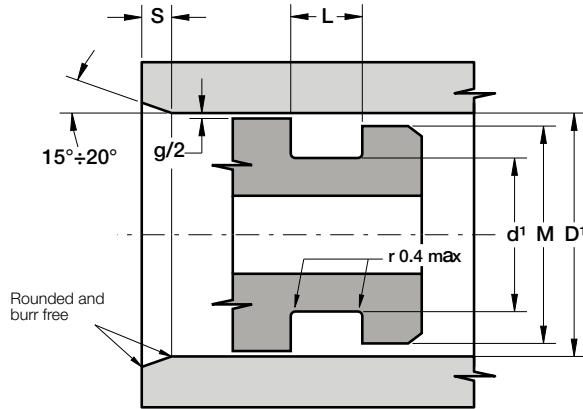
The largest gap dimension appearing in operation on the non-pressurised side:

• 50 bar	1.20 mm
• 100 bar	0.80 mm
• 200 bar	0.40 mm
• 300 bar	0.25 mm
• 400 bar	0.17 mm

LEAD-IN CHAMFERS

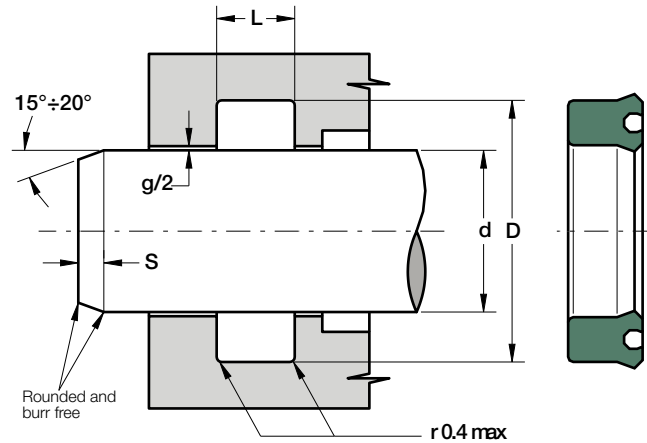
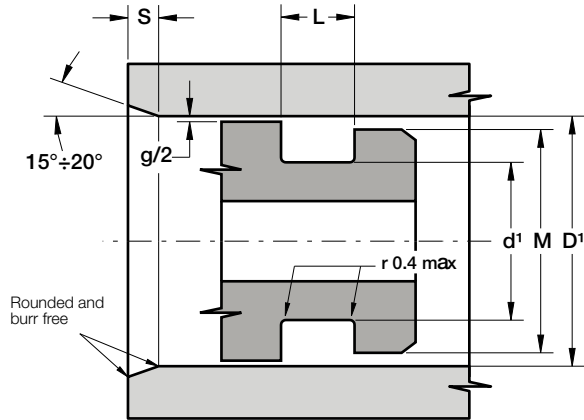
d	S MIN
• less 100	5 mm
• 100÷200	7 mm
• over 200	10 mm

- to avoid damaging the sealing lips during installation, housing must have rounded chamfers. Sharp edges and burrs within the installation area of the seal must be removed



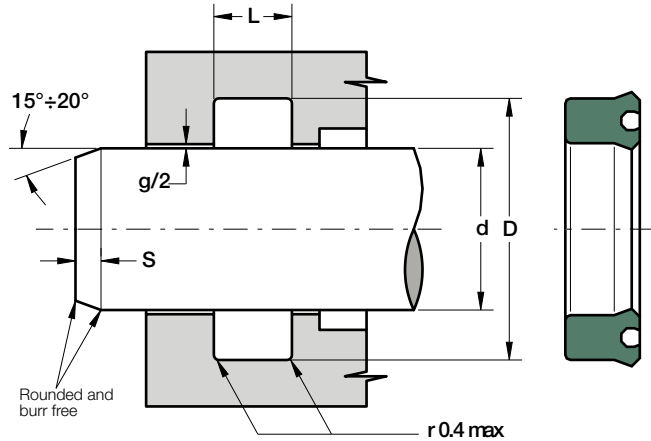
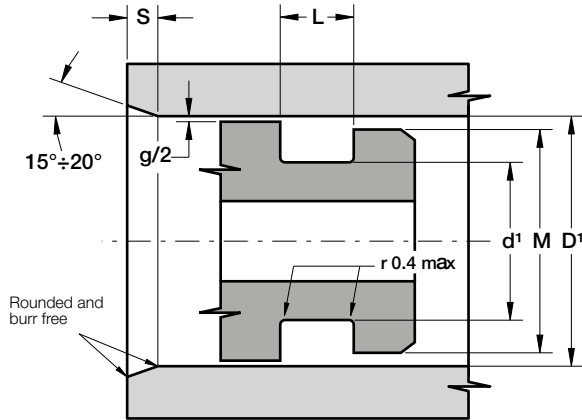
Part.	d^{1f8} d^{f7}	D^{1H10} D^{H10}	$L^{+0.25}$	M
UP 3 8 4	3	8	4.5	5
UP 3 9 4.5	3	9	5.0	5
UP 4 10 4	4	10	4.5	6
UP 4 10 4.5	4	10	5.0	6
UP 4.5 11 5	4.5	11	5.5	6.5
UP 5 12 4.5	5	12	5.0	7
UP 5 12 5	5	12	5.5	7
UP 5 12 6	5	12	7.0	7
UP 5 17 9	5	17	10.0	11
UP 6 12 4	6	12	4.5	8
UP 6 12 5.2	6	12	5.7	8
UP 6 12 5.5	6	12	6.0	8
UP 6 12 6	6	12	7.0	8
UP 6 12.7 6	6	12.7	7.0	8
UP 6 15 8	6	15	9.0	9
UP 7 14 3.5	7	14	4.2	9
UP 7 15 7	7	15	8.0	9
UP 8 12 2.4	8	12	3.5	10
UP 8 14 6	8	14	7.0	10
UP 8 15 5.8	8	15	6.3	10
UP 8 15 8	8	15	9.0	10
UP 8 16 5.8	8	16	6.3	10
UP 8 18 9	8	18	10.0	11
UP 8.4 16 5.8	8.4	16	6.3	10
UP 10 16 4	10	16	4.5	12

Part.	d^{1f8} d^{f7}	D^{1H10} D^{H10}	$L^{+0.25}$	M
UP 10 16 5.6	10	16	6.2	12
UP 10 16 6	10	16	7.0	12
UP 10 18 5	10	18	6.0	12
UP 10 18 6	10	18	7.0	12
UP 10 18 8	10	18	9.0	12
UP 10 20 8	10	20	9.0	12
UP 10 22 8	10	22	9.0	13
UP 12 18 4.5	12	18	5.0	14
UP 12 18 5	12	18	5.5	14
UP 12 18 6	12	18	7.0	14
UP 12 20 8	12	20	9.0	14
UP 12 22 5	12	22	6.0	15
UP 12 22 7	12	22	8.0	15
UP 12 22 8	12	22	9.0	15
UP 12 24 8	12	24	9.0	15
UP 14 20 4.8	14	20	5.3	16
UP 14 22 6	14	22	7.0	16
UP 14 24 8	14	24	9.0	16
UP 14 27 7	14	27	8.0	16
UP 15 21.5 4.5	15	21.5	5.0	17
UP 15 25 8	15	25	9.0	18
UP 15 25 10	15	25	11.0	18
UP 16 22 4	16	22	4.5	18
UP 16 22 5	16	22	5.5	18
UP 16 22 5.5	16	22	6.0	18



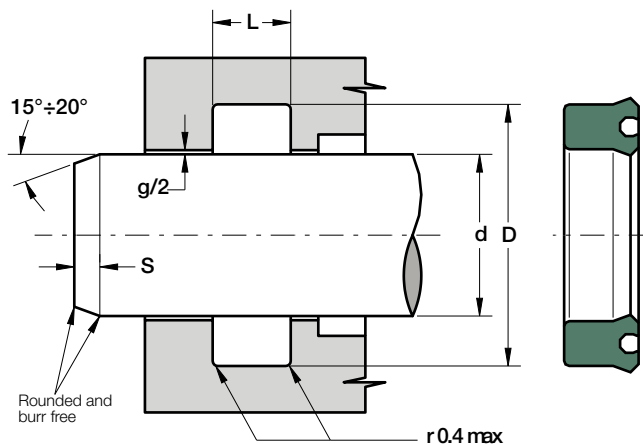
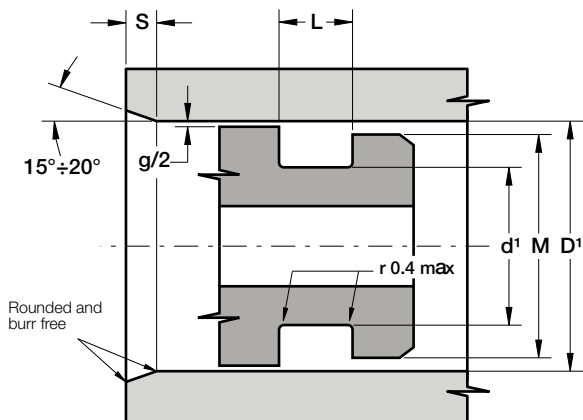
Part.	d ¹ f8 d f7	D ¹ H10 D H10	L +0.25	M
UP 16 24 5	16	24	6.0	18
UP 16 24 9	16	24	10.0	18
UP 16 26 5	16	26	6.0	19
UP 16 26 8	16	26	9.0	19
UP 16 28 6	16	28	7.0	19
UP 16 28 9	16	28	10.0	19
UP 17 25 6	17	25	7.0	19
UP 17 25 10	17	25	11.0	19
UP 17 27 6.5	17	27	7.6	19
UP 18 25 5	18	25	5.5	20
UP 18 26 6.5	18	26	7.5	20
UP 18 26 8	18	26	9.0	20
UP 18 26 8.5	18	26	9.5	20
UP 18 28 8	18	28	9.0	21
UP 18 30 8	18	30	9.0	21
UP 19 25 6	19	25	7.0	21
UP 20 26 5	20	26	5.5	22
UP 20 28 4	20	28	5.0	22
UP 20 28 5	20	28	5.5	22
UP 20 28 8	20	28	9.0	22
UP 20 29 5	20	29	5.5	22
UP 20 30 8	20	30	9.0	23
UP 20 30 10	20	30	11.0	23
UP 20 32 7.5	20	32	8.5	23

Part.	d ¹ f8 d f7	D ¹ H10 D H10	L +0.25	M
UP 20 40 10	20	40	11.0	24
UP 22 28 8	22	28	9.0	24
UP 22 30 6	22	30	7.0	24
UP 22 32 8	22	32	9.0	25
UP 22 32 10	22	32	11.0	25
UP 22 35 10	22	35	11.0	25
UP 22 40 10	22	40	11.0	25
UP 24 32 7	24	32	8.0	26
UP 24 34 5	24	34	5.5	27
UP 25 33 5	25	33	5.5	27
UP 25 35 5	25	35	5.5	28
UP 25 35 8	25	35	9.0	28
UP 25 35 10	25	35	11.0	28
UP 25 38 8	25	38	9.0	28
UP 25 38 10	25	38	11.0	28
UP 25 40 10	25	40	11.0	28
UP 27 36.5 6.8	27	36.5	7.8	30
UP 28 35 4.7	28	35	5.5	30
UP 28 35.5 5	28	35.5	5.5	30
UP 28 36 6.5	28	36	7.5	30
UP 28 38 7	28	38	8.0	31
UP 28 38 8	28	38	9.0	31
UP 28 38 10	28	38	11.0	31
UP 28 40 10	28	40	11.0	31



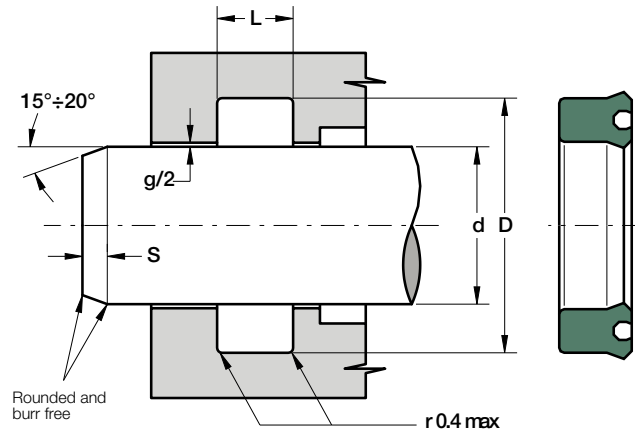
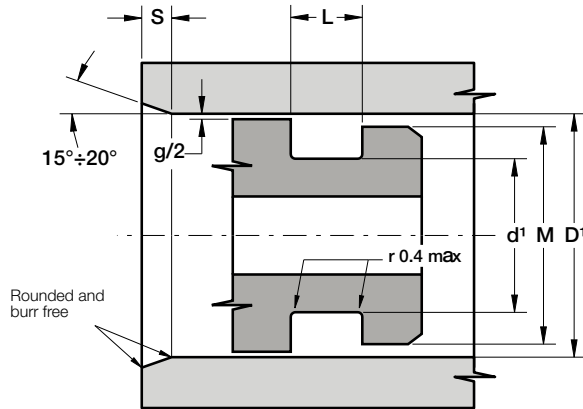
Part.	d ¹ f ₈ d ^{f7}	D ¹ H ₁₀ D H ₁₀	L ^{+0.25}	M
UP 28 50 10	28	50	11.0	33
UP 30 36 4	30	36	4.5	32
UP 30 37 6	30	37	7.0	32
UP 30 38 5.8	30	38	6.3	32
UP 30 38 6	30	38	6.5	32
UP 30 38 7	30	38	8.0	32
UP 30 40 5	30	40	5.5	33
UP 30 40 6	30	40	7.0	33
UP 30 40 10	30	40	11.0	33
UP 30 42 9	30	42	10.0	33
UP 30 42 10	30	42	11.0	33
UP 30 45 10	30	45	11.0	34
UP 30 50 10	30	50	11.0	34
UP 30 50 12	30	50	13.0	34
UP 32 40 5.5	32	40	6.0	34
UP 32 40 8	32	40	9.0	34
UP 32 42 10	32	42	11.0	35
UP 32 45 10	32	45	11.0	35
UP 34 45 7	34	45	8.0	37
UP 34 45 9	34	45	10.0	37
UP 35 43 6	35	43	7.0	37
UP 35 45 6	35	45	7.0	38
UP 35 45 7	35	45	8.0	38
UP 35 45 8	35	45	9.0	38

Part.	d ¹ f ₈ d ^{f7}	D ¹ H ₁₀ D H ₁₀	L ^{+0.25}	M
UP 35 45 10	35	45	11.0	38
UP 35 48 10	35	48	11.0	38
UP 35 50 10	35	50	11.0	39
UP 35 55 10	35	55	11.0	39
UP 35 55 12	35	55	13.0	39
UP 36 46 7	36	46	8.0	39
UP 38 45 5	38	45	5.5	40
UP 38 46 6.5	38	46	7.5	40
UP 38 50 9	38	50	10.0	41
UP 38 55 10	38	55	11.0	41
UP 38 58 10	38	58	11.0	42
UP 40 48 5.8	40	48	6.3	42
UP 40 48 8	40	48	9.0	42
UP 40 50 5	40	50	5.5	43
UP 40 50 6	40	50	7.0	43
UP 40 50 6.5	40	50	7.5	43
UP 40 50 8	40	50	9.0	43
UP 40 50 10	40	50	11.0	43
UP 40 55 10	40	55	11.0	44
UP 40 60 10	40	60	11.0	45
UP 40 60 13	40	60	14.0	45
UP 42 50 6	42	50	7.0	44
UP 42 50 8	42	50	9.0	44
UP 42 52 9	42	52	10.0	45



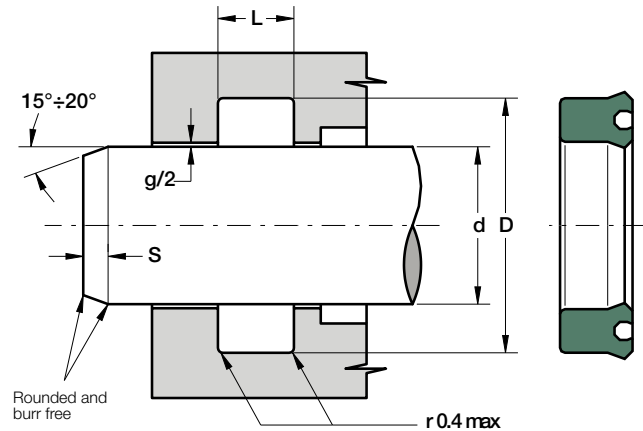
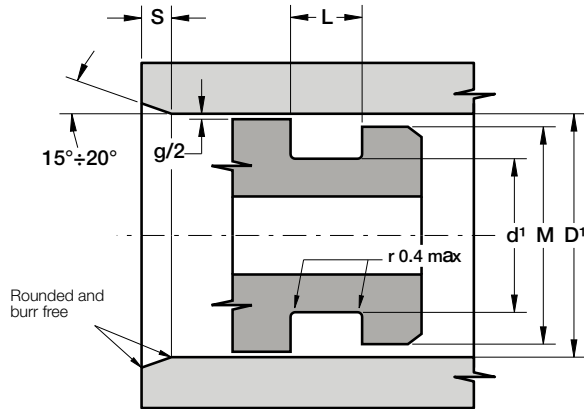
Part.	d_1^{f8} d_{f7}	D_1^{H10} D_{H10}	$L_{+0.25}$	M
UP 42 62 12	42	62	13.0	47
UP 45 53 6.5	45	53	7.5	48
UP 45 55 6	45	55	7.0	48
UP 45 55 6.5	45	55	7.5	48
UP 45 55 10	45	55	11.0	48
UP 45 56 7	45	56	8.0	48
UP 45 60 10	45	60	11.0	49
UP 45 63 10	45	63	11.0	49
UP 45 65 10	45	65	11.0	50
UP 45 65 12	45	65	13.0	50
UP 48 58 10	48	58	11.0	51
UP 50 60 5	50	60	5.5	53
UP 50 60 6	50	60	7.0	53
UP 50 60 7	50	60	8.0	53
UP 50 60 10	50	60	11.0	53
UP 50 60 11	50	60	12.0	53
UP 50 62 9	50	62	10.0	53
UP 50 63 6	50	63	7.0	54
UP 50 65 10	50	65	11.0	54
UP 50 70 10	50	70	11.0	55
UP 50 70 12	50	70	13.0	55
UP 52 62 12	52	62	13.0	55
UP 53 63 6.5	53	63	7.5	56
UP 55 65 6	55	65	7.0	58

Part.	d_1^{f8} d_{f7}	D_1^{H10} D_{H10}	$L_{+0.25}$	M
UP 55 65 10	55	65	11.0	58
UP 55 65 12	55	65	13.0	58
UP 55 70 12	55	70	13.0	59
UP 55 75 12	55	75	13.0	60
UP 55 80 12	55	80	13.0	60
UP 56 66 5	56	66	5.5	59
UP 56 66 6	56	66	7.0	59
UP 60 70 5	60	70	5.5	63
UP 60 70 6	60	70	7.0	63
UP 60 70 8	60	70	9.0	63
UP 60 70 10	60	70	11.0	63
UP 60 70 12	60	70	13.0	63
UP 60 75 10	60	75	11.0	64
UP 60 75 12	60	75	13.0	64
UP 60 80 10	60	80	11.0	65
UP 60 80 12	60	80	13.0	65
UP 60 80 18	60	80	19.0	65
UP 63 73 6	63	73	7.0	66
UP 63 75 10	63	75	11.0	66
UP 63 78 10	63	78	11.0	67
UP 65 75 6	65	75	7.0	68
UP 65 75 12	65	75	13.0	68
UP 65 80 10	65	80	11.0	69
UP 65 80 11	65	80	12.0	69



Part.	d^{1f8} d^{f7}	D^{1H10} D^{H10}	$L^{+0.25}$	M
UP 65 80 12	65	80	13.0	69
UP 65 85 12	65	85	13.0	70
UP 67 77 10	67	77	11.0	70
UP 67.3 80 6.5	67.3	80	7.5	71
UP 68 92.4 14	68	92.4	15.0	74
UP 70 80 5	70	80	6.0	73
UP 70 80 6	70	80	7.0	73
UP 70 80 8	70	80	9.0	73
UP 70 80 10	70	80	11.0	73
UP 70 80 12	70	80	13.0	73
UP 70 85 11	70	85	12.0	74
UP 70 85 12	70	85	13.0	74
UP 70 90 12	70	90	13.0	75
UP 70 90 18	70	90	19.0	75
UP 75 85 6	75	85	7.0	78
UP 75 85 12	75	85	13.0	78
UP 75 90 7.5	75	90	8.5	79
UP 75 90 10	75	90	11.0	79
UP 75 90 12	75	90	13.0	79
UP 75 95 12	75	95	13.0	80
UP 75 95 13.5	75	95	14.5	80
UP 75 95 14.5	75	95	15.5	80
UP 80 90 5	80	90	6.0	83
UP 80 90 6	80	90	7.0	83
UP 80 90 8	80	90	9.0	83

Part.	d^{1f8} d^{f7}	D^{1H10} D^{H10}	$L^{+0.25}$	M
UP 80 90 10	80	90	11.0	83
UP 80 90 12	80	90	13.0	83
UP 80 95 12	80	95	13.0	84
UP 80 100 9.5	80	100	10.5	85
UP 80 100 12	80	100	13.0	85
UP 85 95 8.5	85	95	9.5	88
UP 85 95 12	85	95	13.0	88
UP 85 100 9	85	100	10.0	89
UP 85 100 10	85	100	11.0	89
UP 85 100 12	85	100	13.0	89
UP 85 105 12	85	105	13.0	90
UP 90 100 8	90	100	9.0	93
UP 90 100 12	90	100	13.0	93
UP 90 105 12	90	105	13.0	94
UP 90 110 12	90	110	13.0	95
UP 90 115 12	90	115	13.0	95
UP 90 115 15	90	115	16.0	95
UP 95 110 9	95	110	10.0	99
UP 95 110 12	95	110	13.0	99
UP 95 115 12	95	115	13.0	100
UP 100 115 9	100	115	10.0	104
UP 100 115 12	100	115	13.0	104
UP 100 120 12	100	120	13.0	105
UP 100 125 12	100	125	13.0	105
UP 100 125 15	100	125	16.0	105

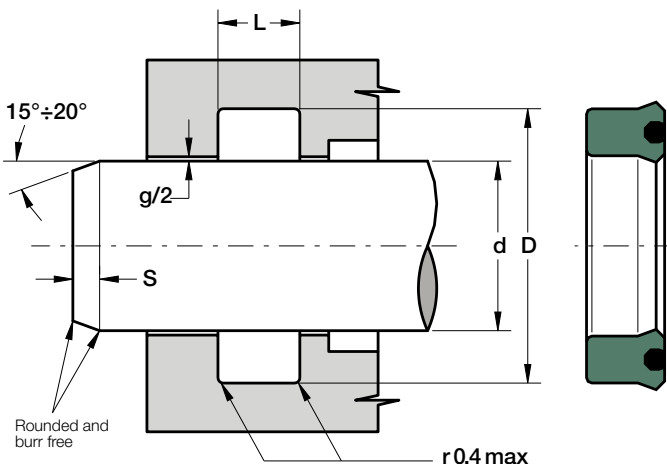
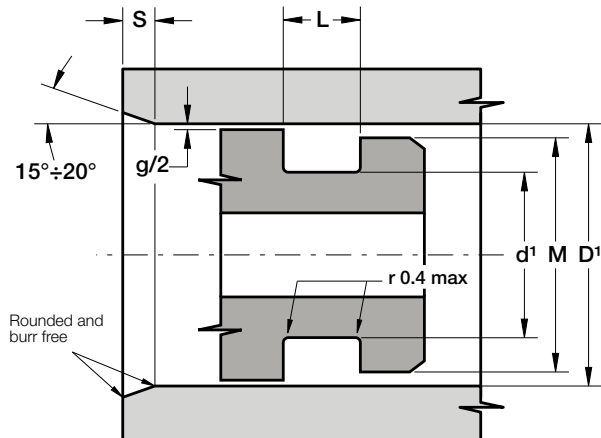


Part.	d_1^{f8} d_{f7}	D_1^{H10} D_{H10}	$L_{+0.25}$	M
UP 105 120 8	105	120	9.0	109
UP 105 120 15	105	120	16.0	109
UP 105 125 12	105	125	13.0	110
UP 105 125 15	105	125	16.0	110
UP 110 125 9	110	125	10.0	114
UP 110 125 12	110	125	13.0	114
UP 110 125 15	110	125	16.0	114
UP 110 130 15	110	130	16.0	115
UP 115 135 15	115	135	16.0	118
UP 120 140 15	120	140	16.0	125
UP 125 140 9	125	140	10.0	129
UP 125 140 11	125	140	12.0	129
UP 125 140 15	125	140	16.0	129
UP 125 145 15	125	145	16.0	130
UP 130 145 12	130	145	13.0	134
UP 130 150 15	130	150	16.0	135
UP 140 155 9	140	155	10.0	144
UP 140 160 12	140	160	13.0	145
UP 140 160 15	140	160	16.0	145
UP 145 165 15	145	165	16.0	150
UP 150 170 15	150	170	16.0	155
UP 160 175 12	160	175	13.0	164
UP 160 180 15	160	180	16.0	165
UP 170 190 12	170	190	13.0	175
UP 170 190 15	170	190	16.0	175

Part.	d_1^{f8} d_{f7}	D_1^{H10} D_{H10}	$L_{+0.25}$	M
UP 175 200 15	175	200	16.0	180
UP 180 200 15	180	200	16.0	185
UP 190 210 15	190	210	16.0	195
UP 200 220 12	200	220	13.0	205
UP 200 220 15	200	220	16.0	205
UP 200 225 18	200	225	19.0	206
UP 220 250 18	220	250	19.0	225

Inch sizes

UP 1500 2000 0250	38.10	50.80	7.35	41.9
UP 2000 2500 0250	50.80	63.50	7.35	54.6
UP 2125 2625 0406	53.90	66.75	11.00	58.0
UP 2250 2625 0375	57.15	66.68	10.50	60.3
UP 2500 3250 0620	63.50	82.55	16.75	68.5
UP 2625 3000 0187	66.68	76.20	5.25	69.9
UP 3000 3750 0620	76.20	95.25	16.75	81.0
UP 3500 3875 0375	88.90	98.43	10.50	92.0
UP 3500 4000 0375	88.90	101.60	10.50	93.0
UP 3500 4250 0620	88.90	107.95	16.75	94.0
UP 3875 4250 0187	98.43	107.95	5.25	101.6
UP 5250 6000 0620	133.36	152.40	16.75	138.0
UP 6250 7000 0620	158.75	177.80	16.75	163.7
UP 6500 7500 0765	165.10	190.50	20.40	170.0
UP 7000 8000 0750	177.80	203.20	20.10	184.0



DESCRIPTION

Rod and piston seal with energizing element

MATERIAL OF THE SEAL

Type: Polyurethane
Designation: SEALPUR 93
Hardness: 93 °ShA

MATERIAL OF ENERGIZING ELEMENT

Type: Nitril Rubber NBR
Designation: RUBSEAL 70
Hardness: 70 °ShA

MAIN FEATURES

The seal type UPN is the natural further development of the UP seal. It is a high performance all purpose lipseal suitable for both rod and piston which combines the advantage of a highly elastic rubber and the abrasion resistance of polyurethane.

The UPN profile assures a good reaction against shock pressure peaks and low friction in all conditions.

The energizing O-Ring guarantees a good sealing performance in the low pressure range. The material used to produce this seal is a polyurethane compound that ensures excellent properties on wear-resistance, extended service life and resistance against extrusion.

- Good sealing performance as well as at low pressure
- Suitable for both rod and piston
- Economical solution
- Excellent wear-resistance
- Extended service life
- High resistance against extrusion
- Good temperature resistance
- Easy installation without expensive auxiliaries

FIELD OF APPLICATION

Pressure	≤ 400 bar
Speed	≤ 0.5 m/s
Temperature	-40°C ÷ +100°C
Fluids	Hydraulic oils (mineral oil based). <i>For other fluids contact our technical department</i>

SURFACE ROUGHNESS

Dynamic surface	Ra ≤ 0.3 µm	Rt ≤ 2.5 µm
Static surface	Ra ≤ 1.6 µm	Rt ≤ 6.3 µm

GAP DIMENSION "g"

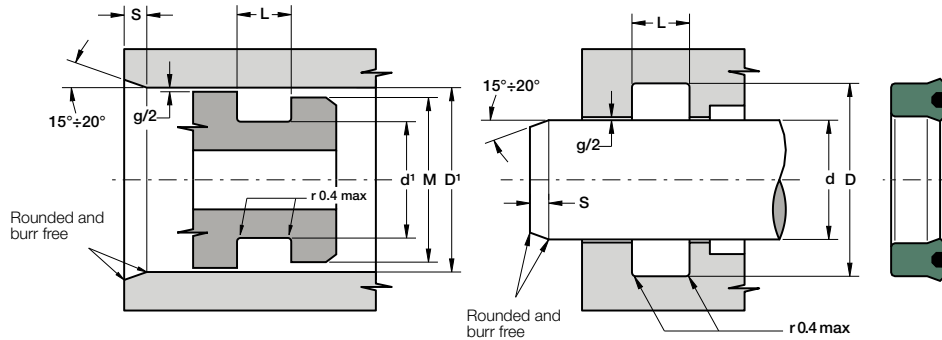
The largest gap dimension appearing in operation on the non-pressurised side:

• 50 bar	1.20 mm
• 100 bar	0.80 mm
• 200 bar	0.40 mm
• 300 bar	0.25 mm
• 400 bar	0.17 mm

LEAD-IN CHAMFERS

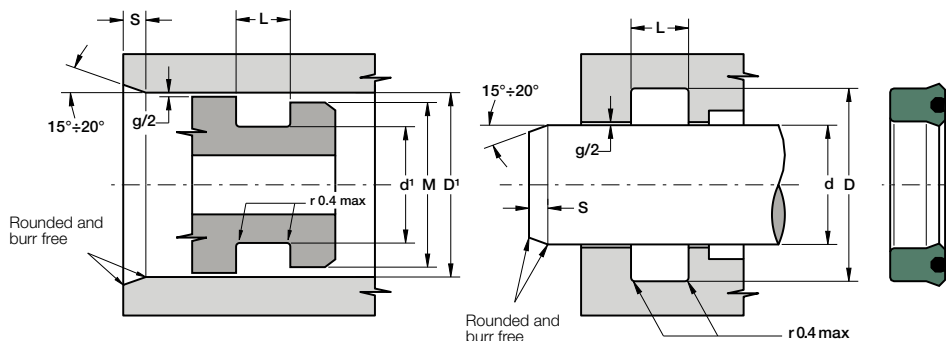
d	S MIN
• less 100	5 mm
• 100÷200	7 mm
• over 200	10 mm

- to avoid damaging the sealing lips during installation, housing must have rounded chamfers. Sharp edges and burrs within the installation area of the seal must be removed
- after mounting the seal in the housing, verify that the energizing element is positioned correctly



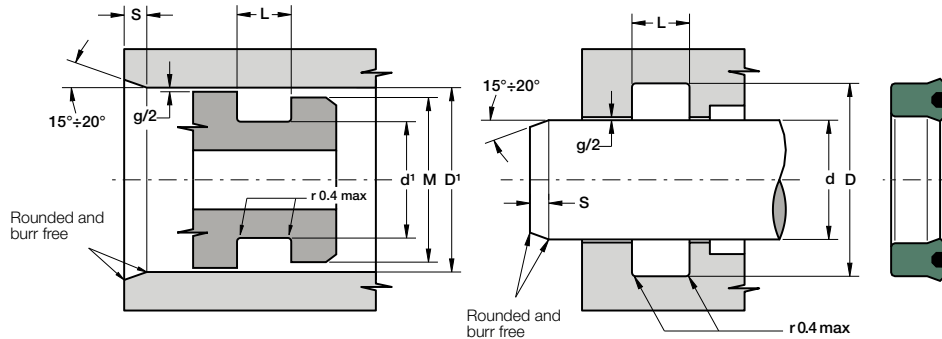
Part.	d^1_{f8} d^{f7}	D^1_{H10} D_{H10}	$L_{+0.25}$	M
UPN 5 17 9	5	17	10.0	14.0
UPN 8 18 9	8	18	10.0	15.5
UPN 10 18 5	10	18	6.0	16.0
UPN 10 20 8	10	20	9.0	17.5
UPN 10 22 8	10	22	9.0	19.0
UPN 12 22 5	12	22	6.0	19.5
UPN 12 22 7	12	22	8.0	19.5
UPN 12 22 8	12	22	9.0	19.5
UPN 12 24 8	12	24	9.0	21.0
UPN 14 24 8	14	24	9.0	21.5
UPN 14 27 7	14	27	8.0	24.0
UPN 15 21.5 4.5	15	21.5	5.0	20.0
UPN 15 25 8	15	25	9.0	22.5
UPN 15 25 10	15	25	11.0	22.5
UPN 16 26 5	16	26	6.0	23.5
UPN 16 26 8	16	26	9.0	23.5
UPN 16 28 6	16	28	7.0	25.0
UPN 16 28 9	16	28	10.0	25.0
UPN 17 25 6	17	25	7.0	23.0
UPN 17 27 6.5	17	27	7.5	24.5
UPN 18 28 8	18	28	9.0	25.5
UPN 18 30 8	18	30	9.0	27.0
UPN 20 29 5	20	29	5.5	27.0
UPN 20 30 8	20	30	9.0	27.5
UPN 20 30 10	20	30	11.0	27.5
UPN 20 32 7.5	20	32	8.5	29.0
UPN 20 40 10	20	40	11.0	35.0
UPN 22 32 8	22	32	9.0	29.5

Part.	d^1_{f8} d^{f7}	D^1_{H10} D_{H10}	$L_{+0.25}$	M
UPN 22 32 10	22	32	11.0	29.5
UPN 22 35 10	22	35	11.0	32.0
UPN 22 40 10	22	40	11.0	35.5
UPN 25 35 5	25	35	5.5	32.5
UPN 25 35 8	25	35	9.0	32.5
UPN 25 35 10	25	35	11.0	32.5
UPN 25 38 8	25	38	9.0	35.0
UPN 25 38 10	25	38	11.0	35.0
UPN 25 40 10	25	40	11.0	36.0
UPN 27 36.5 6.8	27	36.5	7.8	34.0
UPN 28 38 7	28	38	8.0	35.5
UPN 28 38 8	28	38	9.0	35.5
UPN 28 38 10	28	38	11.0	35.5
UPN 28 40 10	28	40	11.0	37.0
UPN 30 40 5	30	40	5.5	37.5
UPN 30 40 6	30	40	7.0	37.5
UPN 30 40 10	30	40	11.0	37.5
UPN 30 42 9	30	42	10.0	39.0
UPN 30 42 10	30	42	11.0	39.0
UPN 30 45 10	30	45	11.0	41.5
UPN 30 50 10	30	50	11.0	45.0
UPN 30 50 12	30	50	13.0	45.0
UPN 32 40 5.5	32	40	6.0	38.0
UPN 32 40 8	32	40	9.0	38.0
UPN 32 42 10	32	42	11.0	39.5
UPN 32 45 10	32	45	11.0	42.0
UPN 34 45 7	34	45	8.0	42.5
UPN 34 45 9	34	45	10.0	42.5



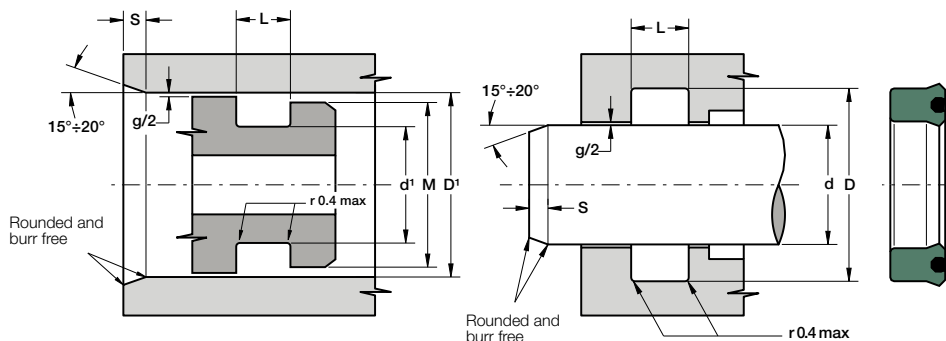
Part.	$d_{17}^{1.18}$ d_{17}	D_{H10}^1 D_{H10}	$L^{+0.25}$	M
UPN 35 43 6	35	43	7.0	41.0
UPN 35 45 6	35	45	7.0	42.5
UPN 35 45 7	35	45	8.0	42.5
UPN 35 45 8	35	45	9.0	42.5
UPN 35 45 10	35	45	11.0	42.5
UPN 35 48 10	35	48	11.0	45.0
UPN 35 50 10	35	50	11.0	46.5
UPN 35 55 10	35	55	11.0	50.0
UPN 35 55 12	35	55	13.0	50.0
UPN 36 46 7	36	46	8.0	43.5
UPN 38 46 6.5	38	46	7.5	44.0
UPN 38 50 9	38	50	10.0	47.0
UPN 38 55 10	38	55	11.0	51.0
UPN 38 58 10	38	58	11.0	53.0
UPN 40 48 5.8	40	48	6.3	46.0
UPN 40 48 8	40	48	9.0	46.0
UPN 40 50 5	40	50	5.5	47.5
UPN 40 50 6	40	50	7.0	47.5
UPN 40 50 6.5	40	50	7.5	47.5
UPN 40 50 8	40	50	9.0	47.5
UPN 40 50 10	40	50	11.0	47.5
UPN 40 55 10	40	55	11.0	51.5
UPN 40 60 10	40	60	11.0	55.0
UPN 40 60 13	40	60	14.0	55.0
UPN 42 50 6	42	50	7.0	48.0
UPN 42 50 8	42	50	9.0	48.0
UPN 42 52 9	42	52	10.0	49.5
UPN 42 62 12	42	62	13.0	57.0
UPN 45 53 6.5	45	53	7.5	51.0

Part.	$d_{17}^{1.18}$ d_{17}	D_{H10}^1 D_{H10}	$L^{+0.25}$	M
UPN 45 55 6	45	55	7.0	52.5
UPN 45 55 6.5	45	55	7.5	52.5
UPN 45 55 10	45	55	11.0	52.5
UPN 45 56 7	45	56	8.0	53.5
UPN 45 60 10	45	60	11.0	56.5
UPN 45 63 10	45	63	11.0	58.5
UPN 45 65 10	45	65	11.0	60.0
UPN 45 65 12	45	65	13.0	60.0
UPN 48 58 10	48	58	11.0	55.5
UPN 50 60 5	50	60	5.5	57.5
UPN 50 60 6	50	60	7.0	57.5
UPN 50 60 7	50	60	8.0	57.5
UPN 50 60 10	50	60	11.0	57.5
UPN 50 60 11	50	60	12.0	57.5
UPN 50 62 9	50	62	10.0	59.0
UPN 50 63 6	50	63	7.0	60.0
UPN 50 65 10	50	65	11.0	61.5
UPN 50 70 10	50	70	11.0	65.0
UPN 50 70 12	50	70	13.0	65.0
UPN 52 62 12	52	62	13.0	59.5
UPN 53 63 6.5	53	63	7.5	60.5
UPN 55 65 6	55	65	7.0	62.5
UPN 55 65 10	55	65	11.0	62.5
UPN 55 65 12	55	65	13.0	62.5
UPN 55 70 12	55	70	13.0	66.5
UPN 55 75 12	55	75	13.0	70.0
UPN 55 80 12	55	80	13.0	74.0
UPN 56 66 5	56	66	5.5	63.5
UPN 56 66 6	56	66	7.0	63.5



Part.	d ¹ ^{H8} d _{F7}	D ¹ ^{H10} D _{H10}	L ^{+0.25}	M
UPN 60 70 5	60	70	5.5	67.5
UPN 60 70 6	60	70	7.0	67.5
UPN 60 70 8	60	70	9.0	67.5
UPN 60 70 10	60	70	11.0	67.5
UPN 60 70 12	60	70	13.0	67.5
UPN 60 75 10	60	75	11.0	71.5
UPN 60 75 12	60	75	13.0	71.5
UPN 60 80 10	60	80	11.0	75.0
UPN 60 80 12	60	80	13.0	75.0
UPN 60 80 18	60	80	19.0	75.0
UPN 63 73 6	63	73	7.0	70.5
UPN 63 75 10	63	75	11.0	72.0
UPN 63 78 10	63	78	11.0	74.5
UPN 65 75 6	65	75	7.0	72.5
UPN 65 75 12	65	75	13.0	72.5
UPN 65 80 10	65	80	11.0	76.5
UPN 65 80 11	65	80	12.0	76.5
UPN 65 80 12	65	80	13.0	76.5
UPN 65 85 12	65	85	13.0	80.0
UPN 67 77 10	67	77	11.0	74.5
UPN 68 92.4 14	68	92.4	15.0	86.5
UPN 70 80 5	70	80	6.0	77.5
UPN 70 80 6	70	80	7.0	77.5
UPN 70 80 8	70	80	9.0	77.5
UPN 70 80 10	70	80	11.0	77.5
UPN 70 80 12	70	80	13.0	77.5
UPN 70 85 11	70	85	12.0	81.5
UPN 70 85 12	70	85	13.0	81.5
UPN 70 90 12	70	90	13.0	85.0

Part.	d ¹ ^{H8} d _{F7}	D ¹ ^{H10} D _{H10}	L ^{+0.25}	M
UPN 75 85 6	75	85	7.0	82.5
UPN 75 85 12	75	85	13.0	82.5
UPN 75 90 7.5	75	90	8.5	86.5
UPN 75 90 10	75	90	11.0	86.5
UPN 75 90 12	75	90	13.0	86.5
UPN 75 95 12	75	95	13.0	90.0
UPN 75 95 13.5	75	95	14.5	90.0
UPN 75 95 14.5	75	95	15.5	90.0
UPN 80 90 5	80	90	6.0	87.5
UPN 80 90 6	80	90	7.0	87.5
UPN 80 90 8	80	90	9.0	87.5
UPN 80 90 10	80	90	11.0	87.5
UPN 80 90 12	80	90	13.0	87.5
UPN 80 95 12	80	95	13.0	91.5
UPN 80 100 9.5	80	100	10.5	95.0
UPN 80 100 12	80	100	13.0	95.0
UPN 85 95 8.5	85	95	9.5	92.5
UPN 85 95 12	85	95	13.0	92.5
UPN 85 100 9	85	100	10.0	96.5
UPN 85 100 10	85	100	11.0	96.5
UPN 85 100 12	85	100	13.0	96.5
UPN 85 105 12	85	105	13.0	100.0
UPN 90 100 8	90	100	9.0	97.5
UPN 90 100 12	90	100	13.0	97.5
UPN 90 105 12	90	105	13.0	101.5
UPN 90 110 12	90	110	13.0	105.0
UPN 90 115 12	90	115	13.0	109.0
UPN 90 115 15	90	115	16.0	109.0
UPN 95 110 9	95	110	10.0	106.5

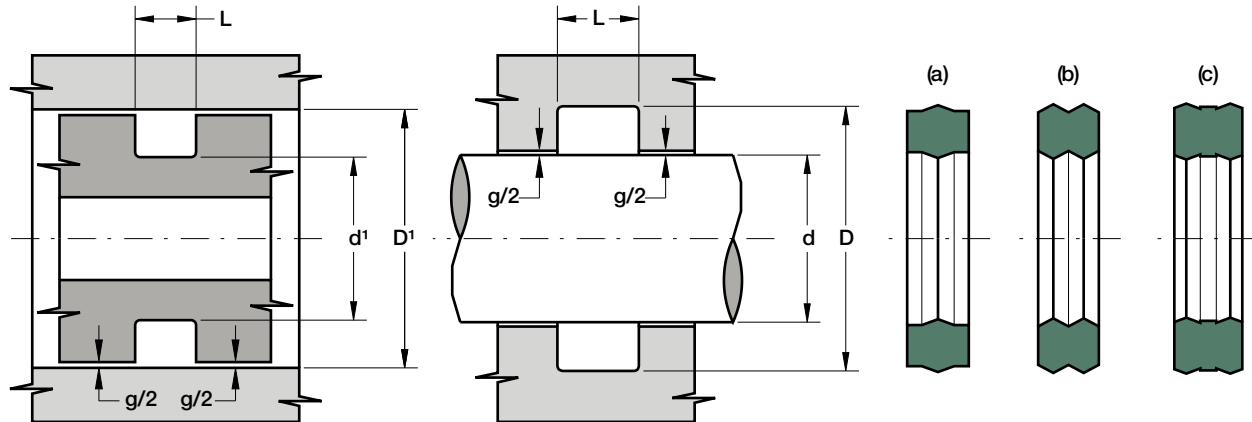


Part.	$d_{1\text{H8}}$ d_{17}	$D_{1\text{H10}}$ D_{H10}	$L_{+0.25}$	M
UPN 95 110 12	95	110	13.0	106.5
UPN 95 115 12	95	115	13.0	110.0
UPN 100 115 9	100	115	10.0	111.5
UPN 100 115 12	100	115	13.0	111.5
UPN 100 120 12	100	120	13.0	115.0
UPN 100 125 12	100	125	13.0	119.0
UPN 100 125 15	100	125	16.0	119.0
UPN 105 120 8	105	120	9.0	116.5
UPN 105 120 15	105	120	16.0	116.5
UPN 105 125 12	105	125	13.0	120.0
UPN 105 125 15	105	125	16.0	120.0
UPN 110 125 9	110	125	10.0	121.5
UPN 110 125 12	110	125	13.0	121.5
UPN 110 125 15	110	125	16.0	121.5
UPN 110 130 15	110	130	16.0	125.0
UPN 115 135 15	115	135	16.0	130.0
UPN 120 140 15	120	140	16.0	135.0
UPN 125 140 9	125	140	10.0	136.5
UPN 125 140 11	125	140	12.0	136.5
UPN 125 140 15	125	140	16.0	136.5
UPN 125 145 15	125	145	16.0	140.0
UPN 130 145 12	130	145	13.0	141.5
UPN 130 150 15	130	150	16.0	145.0
UPN 140 155 9	140	155	10.0	151.5
UPN 140 160 12	140	160	13.0	155.0
UPN 140 160 15	140	160	16.0	155.0
UPN 145 165 15	145	165	16.0	160.0
UPN 150 170 15	150	170	16.0	165.0
UPN 160 175 12	160	175	13.0	171.5

Part.	$d_{1\text{H8}}$ d_{17}	$D_{1\text{H10}}$ D_{H10}	$L_{+0.25}$	M
UPN 160 180 15	160	180	16.0	175.0
UPN 170 190 12	170	190	13.0	185.0
UPN 170 190 15	170	190	16.0	185.0
UPN 175 200 15	175	200	16.0	194.0
UPN 180 200 15	180	200	16.0	195.0
UPN 190 210 15	190	210	16.0	205.0
UPN 200 220 12	200	220	13.0	215.0
UPN 200 220 15	200	220	16.0	215.0
UPN 200 225 18	200	225	19.0	219.0
UPN 220 250 18	220	250	19.0	242.5

Inch sizes

UPN 1500 2000 0250	38.10	50.80	7.35	48.0
UPN 2000 2500 0250	50.80	63.50	7.35	60.5
UPN 2125 2625 0406	53.90	66.75	11.00	63.5
UPN 2250 2625 0375	57.15	66.68	10.50	64.5
UPN 2500 3250 0620	63.50	82.55	16.75	78.0
UPN 2625 3000 0187	66.68	76.20	5.25	74.0
UPN 3000 3750 0620	76.20	95.25	16.75	90.5
UPN 3500 3875 0375	88.90	98.43	10.50	96.0
UPN 3500 4000 0375	88.90	101.60	10.50	98.6
UPN 3500 4250 0620	88.90	107.95	16.75	103.0
UPN 3875 4250 0187	98.43	107.95	5.25	105.5
UPN 5250 6000 0620	133.36	152.40	16.75	147.5
UPN 6250 7000 0620	158.75	177.80	16.75	173.0
UPN 6500 7500 0765	165.10	190.50	20.40	184.0
UPN 7000 8000 0750	177.80	203.20	20.10	197.0



DESCRIPTION

Static double acting seal

MATERIAL

Type: Polyurethane
 Designation: SEALPUR 93
 Hardness: 93 °ShA

MAIN FEATURES

The OP seal has been developed to be used as a valid alternative of the O-Ring for heavy duty applications to avoid the extrusion and damage of it that normally occurs in the presence of large gaps or high pressure.

It is a static (preferable) seal energized by pressure and can work as a single or double acting sealing element. The radial sealing forces, which guarantee good sealing performance, increase when the pressure rises.

Thanks to its elasticity, it can be installed very easily in a short time and without any auxiliaries.

The material used to produce this seal is a polyurethane compound that ensures excellent properties on wear-resistance, extended service life and resistance against extrusion

- High resistance against extrusion
- Resistance to twisting
- Single and double acting
- Simple groove design
- Stability at pulsating pressure
- Extended service life
- Easy installation without expensive auxiliaries

FIELD OF APPLICATION

Pressure	See table below
Speed	Depending of working condition. <i>It is preferable as static seal</i>
Temperature	-30°C ÷ +80°C
Fluids	Hydraulic oils (mineral oil based). <i>For other fluids contact our technical department</i>

GAP DIMENSION “g”

In order to avoid extrusion, the maximum pressure allowed depends on the fitting gap:

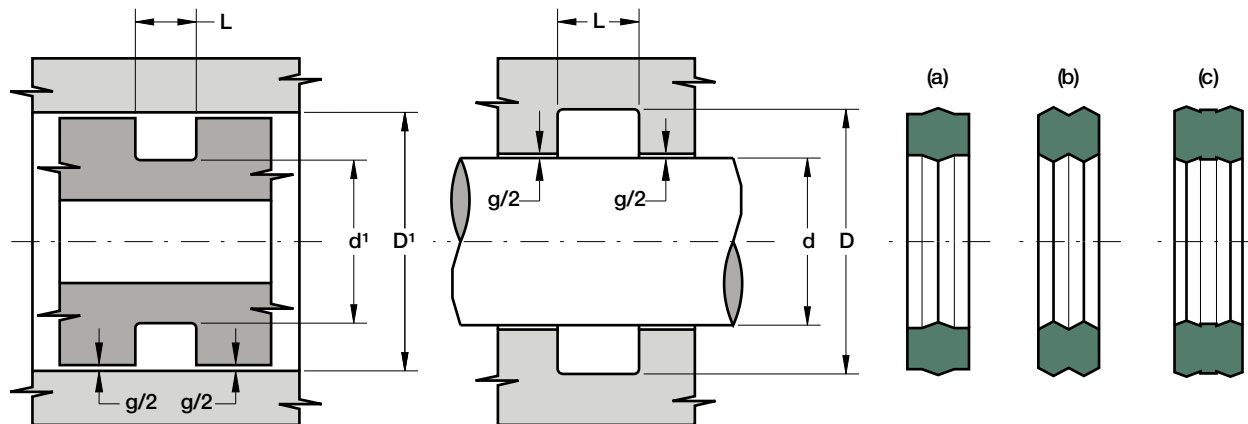
1,20 mm	50 bar
0,80 mm	100 bar
0,40 mm	200 bar
0,25 mm	300 bar
0,17 mm	400 bar
0,10 mm	500 bar

NB: for the Gap calculation, it is necessary to consider the elastic deformation of metal elements under pressure loads.

SURFACE ROUGHNESS

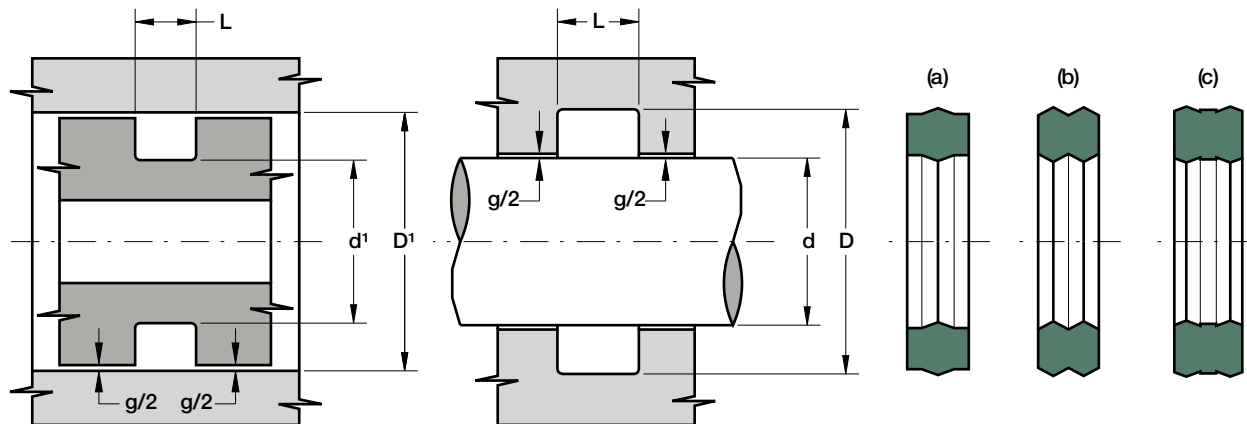
Housing surface	Ra ≤ 0.8 μm	Rt ≤ 4.8 μm
-----------------	-------------	-------------

- to avoid damaging the seal during installation, housing must have rounded chamfers. Sharp edges and burrs within the installation area of the seal must be removed



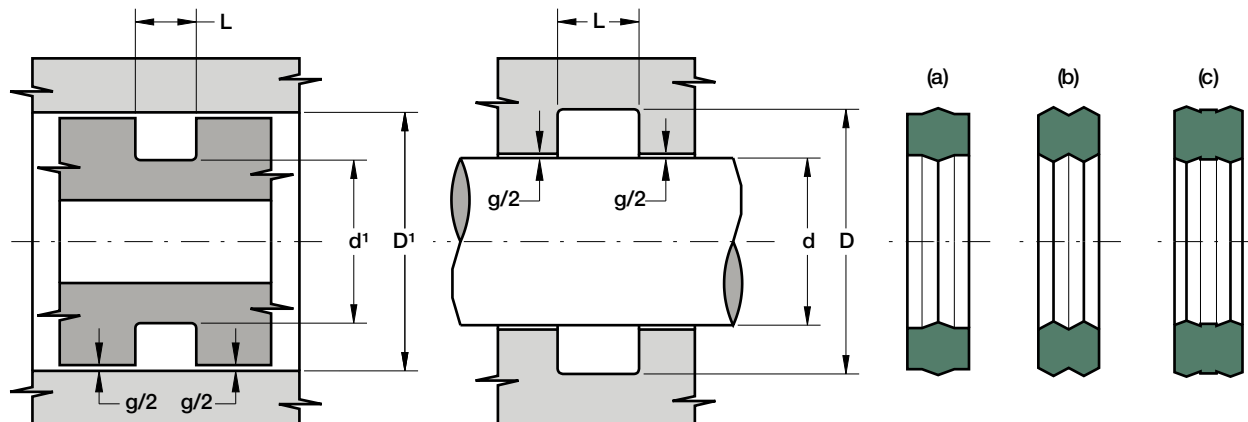
Part.	d^{f7}	D^{H9}	$d^{1\ h9}$	$D^{1\ H8}$	$L^{+0.2}$	TP.
OP 009	5	8.1	5.9	9	2.5	(a)
OP 012	9	12.1	9.9	13	2.5	(a)
OP 013	11	14.1	10.9	14	2.5	(a)
OP 014	13	16.1	12.9	16	2.5	(a)
OP 014/A	-	-	13.07	15.93	3.5	(b)
OP 015	14	17.1	14.9	18	2.5	(a)
OP 015/A	-	-	14.67	17.53	3.5	(b)
OP 016	16	19.1	15.9	19	2.5	(a)
OP 016/A	-	-	16.25	19.12	3.5	(b)
OP 020/A	-	-	23.1	26	3.5	(b)
OP 031	44	47.1	44.9	48	2.5	(a)
OP 034	54	57.1	54.9	58	2.5	(a)
OP 109	8	12.5	8.5	13	3.5	(b)
OP 113	14	18.5	14.5	19	3.5	(b)
OP 115	17	21.5	17.5	22	3.5	(b)
OP 116/A	19	23.6	-	-	5.5	(b)
OP 117	20	24.5	20.5	25	3.5	(b)
OP 119	24	28.5	24.5	29	3.5	(b)
OP 121	28	32.5	27.5	32	3.5	(b)
OP 123	30	34.5	30.5	35	3.5	(b)
OP 126	35	39.5	35.5	40	3.5	(b)
OP 132	44	48.5	44.5	49	3.5	(b)
OP 133	46	50.5	46.5	51	3.5	(b)

Part.	d^{f7}	D^{H9}	$d^{1\ h9}$	$D^{1\ H8}$	$L^{+0.2}$	TP.
OP 138	54	58.5	54.5	59	3.5	(b)
OP 138/A	54	58.5	54.5	59	5.0	(b)
OP 140/A	57	61.5	57.5	62	5.0	(b)
OP 142/A	60	64.5	60.5	65	5.0	(b)
OP 147	68	72.5	68.5	73	3.5	(b)
OP 153	89	93.5	89.5	94	3.5	(b)
OP 156	108	112.5	108.5	113	3.5	(b)
OP 209	17	23.2	17.8	24	4.5	(b)
OP 210	19	25.2	19.8	26	4.5	(b)
OP 216	28	34.2	28.8	35	4.5	(b)
OP 216/A	28	34.3	-	-	6.5	(b)
OP 217	30	36.2	30.8	37	4.5	(b)
OP 217/A	30	36.3	-	-	6.5	(b)
OP 218	31	37.2	31.8	38	4.5	(b)
OP 219	33	39.2	33.8	40	4.5	(b)
OP 220	35	41.2	35.8	42	4.5	(b)
OP 225/829	48	54.2	47.8	54	4.5	(b)
OP 227/833	54	60.2	54.8	61	4.5	(b)
OP 230	64	70.2	63.8	70	4.5	(b)
OP 233	73	79.2	73.8	80	4.5	(b)
OP 233/845/A	73	79.2	73.8	80	6.5	(c)
OP 234	76	82.2	76.8	83	4.5	(b)
OP 236	82	88.2	82.8	89	4.5	(b)



Part.	d ^{f7}	D ^{H9}	d ^{1 h9}	D ^{1 H8}	L ^{+0.2}	Tp.
OP 238	89	95.2	88.8	95	4.5	(b)
OP 239	92	98.2	92.8	99	4.5	(b)
OP 240/A	95	101.2	95.8	102	6.5	(b)
OP 242/A	-	-	101.5	107.8	6.1	(c)
OP 247	117	123.2	117.8	124	4.5	(b)
OP 326/A	41	50.4	42.6	52	9.5	(c)
OP 335/A	69	78.4	70.6	80	9.5	(c)
OP 337/A	76	85.4	76.6	86	9.5	(c)
OP 340/A	85	94.4	85.6	95	9.5	(c)
OP 342/A	92	101.4	92.6	102	9.5	(c)
OP 346/A	104	113.4	105.6	115	9.5	(c)
OP 349/A	114	123.4	115.6	125	9.5	(c)
OP 350/A	117	126.4	118.6	128	9.5	(c)
OP 430	130	142.2	130.8	143	9.5	(c)
OP 614	12	16.8	-	-	3.5	(b)
OP 616	15	19.5	15.5	20	3.5	(b)
OP 617	18	22.8	-	-	3.5	(b)
OP 620	80	89.4	80.6	90	7.0	(c)
OP 621	90	99.4	90.6	100	7.0	(c)
OP 621/A	90	99.4	90.6	100	9.5	(c)
OP 623/A	110	119.4	110.6	120	9.5	(c)
OP 806	11	14.1	11.9	15	2.5	(a)
OP 806/A	-	-	12.1	15	3.5	(b)

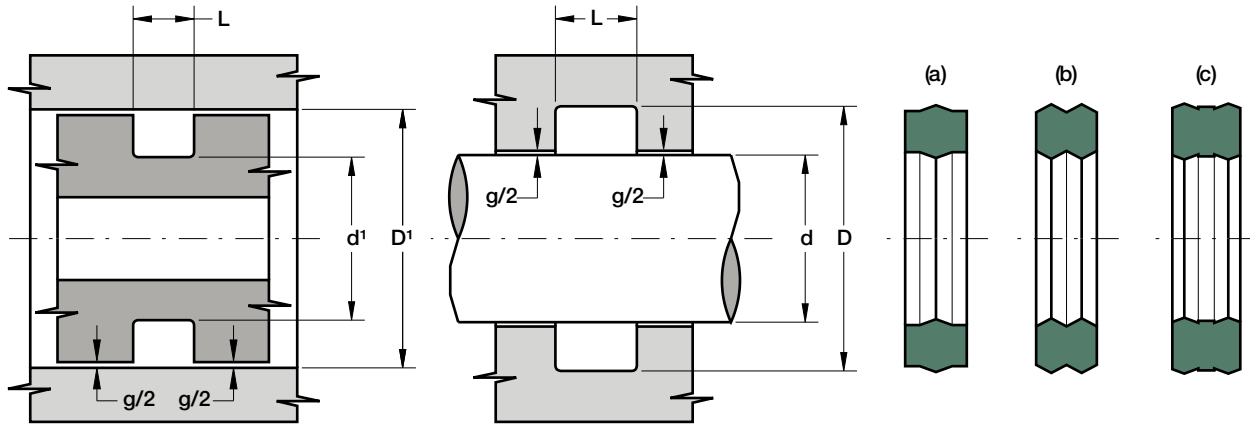
Part.	d ^{f7}	D ^{H9}	d ^{1 h9}	D ^{1 H8}	L ^{+0.2}	Tp.
OP 824	40	46.2	39.8	46	4.5	(b)
OP 826	43	49.2	43.8	50	4.5	(b)
OP 832	52	58.2	53.8	60	4.5	(b)
OP 834	56	62.2	55.8	62	4.5	(b)
OP 835	57	63.2	57.8	64	4.5	(b)
OP 836	59	65.2	58.8	65	4.5	(b)
OP 836/A	59	65.2	58.8	65	6.5	(c)
OP 839	64	70.2	63.8	70	4.5	(b)
OP 845	73	79.2	73.8	80	4.5	(b)



- Metric range -

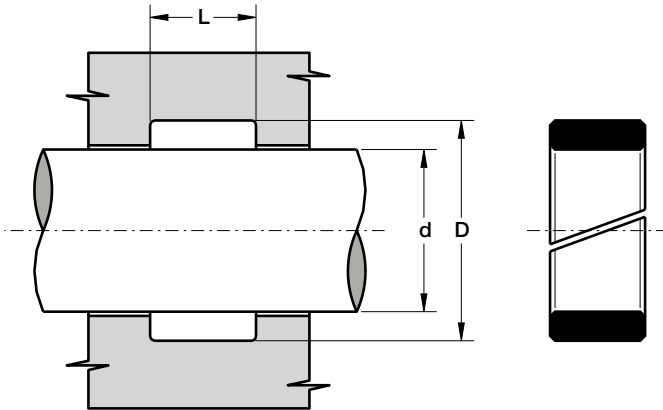
Part.	d ^{f7}	D ^{H8}	L ^{+0.2}	Tp.
OP 9 11.5 2.1	9	11.5	2.5	(a)
OP 10 14.4 3	10	14.4	3.5	(b)
OP 12 16.6 2.6	12	16.6	3.1	(b)
OP 12 18 6	12	18	7.0	(b)
OP 16 20 3	16	20	3.5	(b)
OP 16 30 10	16	30	11.0	(b)
OP 17 22 4	17	22	4.5	(b)
OP 18.7 21.5 3	18.7	21.5	3.5	(b)
OP 23 28 4.5	23	28	5.0	(b)
OP 26.6 35 5.5	26.6	35	6.5	(b)
OP 27.5 33.6 4	27.5	33.6	4.5	(b)
OP 28.4 32.6 3	28.4	32.6	3.6	(b)
OP 29 34 4	29	34	4.5	(b)
OP 33.2 36 3.2	33.2	36	3.6	(b)
OP 33.2 36 4.25	33.2	36	4.75	(b)
OP 34.6 40.7 4	34.6	40.7	4.5	(b)
OP 35.1 40.6 4	35.1	40.6	4.6	(b)
OP 35.1 41 5.5	35.1	41	6.5	(b)
OP 35.2 38 4.25	35.2	38	4.75	(b)
OP 44.6 50 5.2	44.6	50	6.2	(b)
OP 45.5 50.5 3.5	45.5	50.5	4.0	(b)
OP 47.5 52 3	47.5	52	3.5	(b)

Part.	d ^{f7}	D ^{H8}	L ^{+0.2}	Tp.
OP 50.5 55 3	50.5	55	3.5	(b)
OP 52.2 57 3.5	52.2	57	4.0	(b)
OP 56 61 4	56	61	4.5	(b)
OP 58.4 63 4.9	58.4	63	5.4	(b)
OP 61.5 66 3	61.5	66	3.5	(b)
OP 64.3 70 5.7	64.3	70	6.7	(b)
OP 69.4 75 4.8	69.4	75	5.3	(b)
OP 73 78 4	73	78	4.5	(b)
OP 73 81 5.6	73	81	6.6	(b)
OP 73.8 80 5.9	73.8	80	6.9	(c)
OP 74.4 80 4.8	74.4	80	5.3	(b)
OP 74.5 80 4	74.5	80	4.5	(b)
OP 78.9 85.2 5.5	78.9	85.2	6.0	(b)
OP 79.3 85 5.7	79.3	85	6.7	(b)
OP 84.3 90 5.7	84.3	90	6.7	(b)
OP 85.5 90.5 4.5	85.5	90.5	5.0	(b)
OP 88 96 5.6	88	96	6.6	(b)
OP 93.8 100 5.9	93.8	100	6.9	(c)
OP 101 106 4.5	101	106	5.0	(b)
OP 101.4 110 8	101.4	110	9.0	(c)
OP 101.7 111 7.5	101.7	111	8.5	(c)
OP 103 111 5.6	103	111	6.6	(b)



Part.	d ^{f7}	D ^{H8}	L ^{+0.2}	Tp.
OP 105 111 5.5	105	111	6.5	(b)
OP 106.2 112 5.1	106.2	112	6.0	(c)
OP 106.7 116 7.5	106.7	116	8.5	(c)
OP 107.2 113 5.1	107.2	113	6.0	(c)
OP 110 116 5.5	110	116	6.5	(b)
OP 115.5 120.25 3.7	115.5	120.25	4.2	(b)
OP 118 126 5.6	118	126	6.6	(b)
OP 125.2 131 5.1	125.2	131	6.0	(c)
OP 132.8 145 8.5	132.8	145	9.5	(c)
OP 134 140.3 5	134	140.3	6.0	(b)
OP 140.2 146 4	140.2	146	4.5	(b)
OP 143 152 8.1	143	152	9.1	(c)
OP 144 155.5 9.5	144	155.5	10.5	(c)
OP 145 151 5	145	151	6.0	(c)
OP 165 171 5	165	171	6.0	(c)
OP 165.8 175 8.8	165.8	175	9.8	(b)
OP 166.4 175 8.1	166.4	175	9.1	(c)
OP 168 179.5 9.5	168	179.5	10.5	(c)
OP 185 191 5	185	191	6.0	(c)
OP 185.8 195 8.9	185.8	195	9.9	(b)
OP 196.4 205 8	196.4	205	9.0	(b)
OP 207 213 5	207	213	6.0	(c)

Part.	d ^{f7}	D ^{H8}	L ^{+0.2}	Tp.
OP 217.4 229 11	217.4	229	12.0	(c)
OP 231 244 7.5	231	244	8.5	(c)
OP 233.5 240.5 8	233.5	240.5	9.0	(c)
OP 262 272 8.5	262	272	9.5	(c)
OP 293 303 8.5	293	303	9.5	(c)


DESCRIPTION

Split rod guide ring

MATERIAL

Type: Acetal resin with glass fibre
 Designation: BEARITE

MAIN FEATURES

The FI type guide rings have been developed to substitute traditional bronze guides in hydraulic cylinders. They guide the rod and prevent metallic contact with the cylinder head when radial forces act perpendicular to the direction of movement.

Chamfered edges prevent splintering of the material during assembly and make the installation into the groove easier.

The compound used for these guides is a medium viscosity glass fibre reinforced acetal resin characterized by high strength, rigidity, hardness, impact resistance, resilience and excellent stability to high and low temperature.

- Extended service life
- Excellent wear-resistance
- Simple design of groove and assembly
- Reduce vibrations
- Low friction
- Good resistance to loads
- Good mechanical stability at high temperature
- Easy installation without expensive auxiliaries

FIELD OF APPLICATION

Speed	≤ 1 m/s	
Temperature	-40°C ÷ +110°C	
Fluids	Hydraulic oils (mineral oil based).	
	<i>For other fluids contact our technical department</i>	

SURFACE ROUGHNESS

Dynamic surface	Ra ≤ 0.3 µm	Rt ≤ 2.5 µm
Static surface	Ra ≤ 2 µm	Rt ≤ 10 µm

CHOICE OF GUIDE RING WIDTH

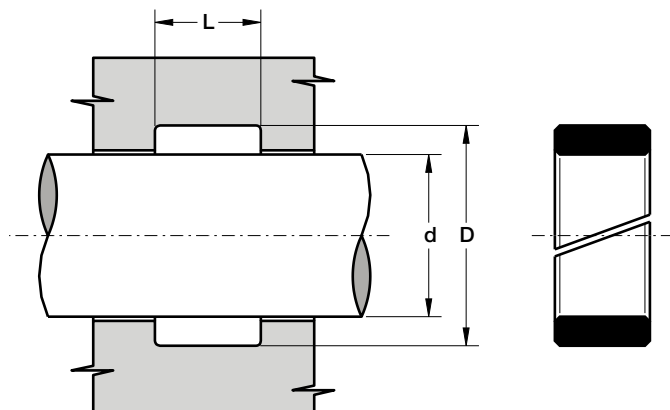
A rough estimate of guide width can be calculated with the following formula:

$$h_{mm} \geq \frac{F_N \times k}{p_{N/mm^2} \times d_{mm}}$$

where

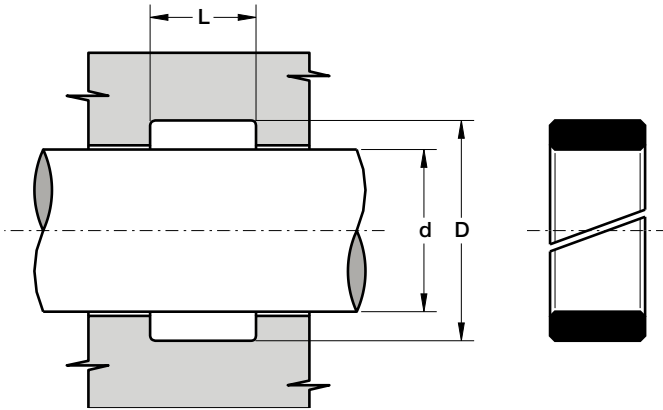
h_{mm}	• guide ring width in mm
F_N	• radial load in N
k	• safety factor (<i>generally 2</i>)
d_{mm}	• rod diameter in mm
p_{N/mm^2}	• surface pressure N/mm ²
	40 a 20 °C
	30 a 70 °C

- Before assembly good cleanliness and guide lubrication are recommended.



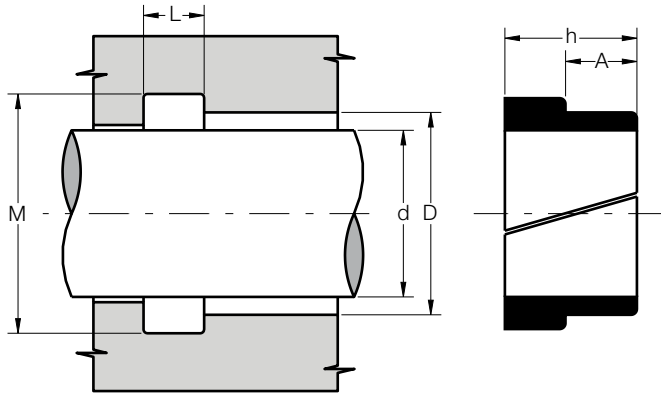
Part.	d ^{f7}	D ^{+0.05}	L ^{+0.25}
FI 12	12	16	9.6
FI 14	14	18	9.6
FI 15	15	19	9.6
FI 16	16	20	9.6
FI 16 20 5.6	16	20	5.6
FI 16 20 8	16	20	8.0
FI 18	18	22	9.6
FI 20	20	24	9.6
FI 20 26 9.6	20	26	9.6
FI 22	22	26	9.6
FI 25	25	29	9.6
FI 25 31 9.6	25	31	9.6
FI 26	26	30	9.6
FI 28	28	32	9.6
FI 28 31 5.6	28	31	5.6
FI 30	30	34	9.6
FI 30 33 5.6	30	33	5.6
FI 30 36 9.6	30	36	9.6
FI 32	32	36	9.6
FI 32 35.1 4	32	35.1	4.0
FI 32 38 10	32	38	10.0
FI 34	34	38	9.6
FI 35	35	39	9.6
FI 35 39 12.8	35	39	12.8

Part.	d ^{f7}	D ^{+0.05}	L ^{+0.25}
FI 35 41 9.6	35	41	9.6
FI 36	36	40	9.6
FI 36 42 9.6	36	42	9.6
FI 38	38	42	9.6
FI 40	40	44	9.6
FI 40 46 9.6	40	46	9.6
FI 40 46 12.8	40	46	12.8
FI 42	42	46	9.6
FI 45	45	51	9.6
FI 45 51 12.8	45	51	12.8
FI 46	46	52	9.6
FI 48	48	54	9.6
FI 50	50	56	9.6
FI 50 56 12.8	50	56	12.8
FI 52	52	58	9.6
FI 53	53	59	9.6
FI 55	55	61	9.6
FI 55 61 12.8	55	61	12.8
FI 56	56	62	12.8
FI 60	60	66	12.8
FI 63	63	69	12.8
FI 63.5 69.85 12.7	63.5	69.85	12.7
FI 65	65	71	12.8
FI 66	66	72	12.8
FI 70	70	76	12.8
FI 72	72	78	12.8
FI 73	73	79	12.8
FI 75	75	81	12.8
FI 76	76	82	12.8
FI 76.2 82.55 12.8	76.2	82.55	12.8
FI 78	78	84	12.8
FI 80	80	86	12.8
FI 80 86 19.2	80	86	19.2
FI 85	85	91	12.8
FI 86	86	92	12.8
FI 90	90	96	12.8
FI 90 96 19.2	90	96	19.2
FI 95	95	101	12.8
FI 100	100	106	12.8
FI 105	105	111	12.8



Part.	d ^{f7}	D ^{+0.05}	L ^{+0.25}
FI 110	110	116	12.8
FI 115	115	121	12.8
FI 120	120	126	12.8
FI 120 126 19.2	120	126	19.2
FI 120 126 25.4	120	126	25.4
FI 123	123	129	12.8
FI 125	125	131	12.8
FI 130	130	136	12.8
FI 130 136 25.4	130	136	25.4
FI 135	135	141	12.8
FI 140	140	146	12.8
FI 143	143	149	12.8
FI 145	145	151	12.8
FI 150	150	156	12.8
FI 150 156 19.2	150	156	19.2
FI 154	154	160	19.2
FI 155	155	161	19.2
FI 160	160	166	19.2
FI 165	165	171	19.2
FI 170	170	176	19.2
FI 175	175	181	19.2
FI 180	180	186	19.2
FI 185	185	191	19.2
FI 190	190	196	19.2

Part.	d ^{f7}	D ^{+0.05}	L ^{+0.25}
FI 195	195	201	19.2
FI 200	200	206	19.2
FI 205	205	211	19.2
FI 210	210	216	19.2
FI 215	215	221	19.2
FI 220	220	226	19.2
FI 225	225	231	19.2
FI 230	230	236	19.2
FI 235	235	241	19.2
FI 240	240	246	19.2
FI 245	245	251	19.2
FI 250	250	256	19.2
FI 255	255	261	19.2
FI 260	260	266	19.2
FI 265	265	271	19.2
FI 270	270	276	19.2
FI 275	275	281	19.2
FI 280	280	286	19.2
FI 285	285	291	19.2
FI 290	290	296	19.2
FI 295	295	301	19.2



DESCRIPTION

"L" shape split rod guide ring

MATERIAL

Type: Acetal resin with glass fibre
Designation: BEARITE

MAIN FEATURES

The FIL type guide rings have been developed to substitute traditional bronze guides in hydraulic cylinders. They guide the rod and prevent metallic contact with the cylinder head when radial forces act perpendicular to the direction of movement.

Chamfered edges prevent splintering of the material during assembly and make the installation into the groove easier.

The compound used for these guides is a medium viscosity glass fibre reinforced acetal resin characterized by high strength, rigidity, hardness, impact resistance, resilience and excellent stability to high and low temperature.

- Extended service life
- Excellent wear-resistance
- Simple design of groove and assembly
- Reduce vibrations
- Low friction
- Good resistance to loads
- Good mechanical stability at high temperature
- Easy installation without expensive auxiliaries

FIELD OF APPLICATION

Speed	≤ 1 m/s
Temperature	-40°C ÷ +110°C
Fluids	Hydraulic oils (mineral oil based). <i>For other fluids contact our technical department</i>

SURFACE ROUGHNESS

Dynamic surface	Ra ≤ 0.3 µm	Rt ≤ 2.5 µm
Static surface	Ra ≤ 2 µm	Rt ≤ 10 µm

CHOICE OF GUIDE RING WIDTH

A rough estimate of guide width can be calculated with the following formula:

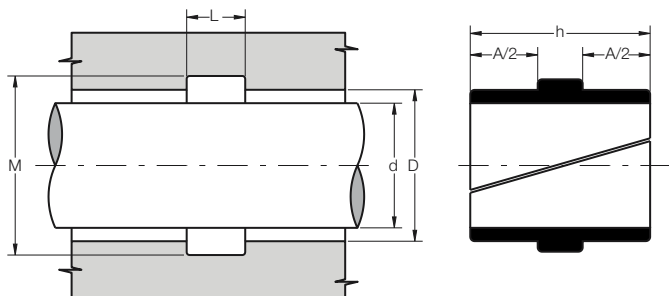
$$h_{mm} \geq \frac{F_N \times k}{p_{N/mm^2} \times d_{mm}}$$

where

A_{mm}	• usable guide ring width in mm
F_N	• radial load in N
k	• safety factor (<i>generally 2</i>)
d_{mm}	• rod diameter in mm
p_{N/mm^2}	• surface pressure N/mm ²
	40 a 20 °C
	30 a 70 °C

- Before assembly good cleanliness and guide lubrication are recommended.

Part.	d ^{+0.05}	D ^{+0.05}	M ^{+0.2}	L ^{+0.1}	h	A
FIL 60 66 16	60	66	71	5.0	16	11
FIL 65 70 16	65	70	73	5.0	16	11
FIL 78 84 16	78	84	89	5.0	16	11
FIL 85 90 16	85	90	93	5.0	16	11
FIL 99 105 16	99	105	110	5.0	16	11
FIL 120 126 16	120	126	131	5.0	16	11
FIL 141 147 16	141	147	152	5.0	16	11
FIL 162 168 16	162	168	173	5.0	16	11
FIL 183 189 16	183	189	194	5.0	16	11
FIL 207 213 16	207	213	218	5.0	16	11



DESCRIPTION

"T" shape split rod guide ring

MATERIAL

Type: Acetal resin with glass fibre

Designation: BEARITE

MAIN FEATURES

The FIT type guide rings have been developed to substitute traditional bronze guides in hydraulic cylinders. They guide the rod and prevent metallic contact with the cylinder head when radial forces act perpendicular to the direction of movement.

Chamfered edges prevent splintering of the material during assembly and make the installation into the groove easier.

The compound used for these guides is a medium viscosity glass fibre reinforced acetal resin characterized by high strength, rigidity, hardness, impact resistance, resilience and excellent stability to high and low temperature.

- Extended service life
- Excellent wear-resistance
- Simple design of groove and assembly
- Reduce vibrations
- Low friction
- Good resistance to loads
- Good mechanical stability at high temperature
- Easy installation without expensive auxiliaries

FIELD OF APPLICATION

Speed	≤ 1 m/s
Temperature	-40°C ÷ +110°C
Fluids	Hydraulic oils (mineral oil based). <i>For other fluids contact our technical department</i>

SURFACE ROUGHNESS

Dynamic surface	Ra ≤ 0.3 µm	Rt ≤ 2.5 µm
Static surface	Ra ≤ 2 µm	Rt ≤ 10 µm

CHOICE OF GUIDE RING WIDTH

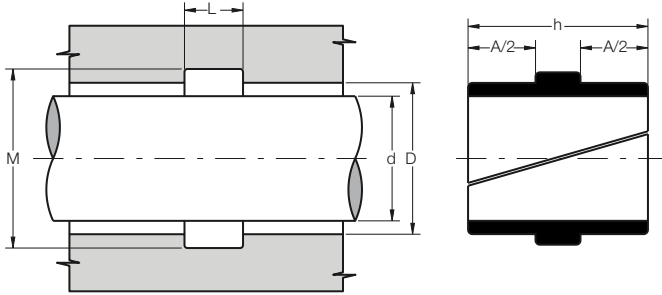
A rough estimate of guide width can be calculated with the following formula:

$$h_{mm} \geq \frac{F_N \times k}{p_{N/mm^2} \times d_{mm}}$$

where

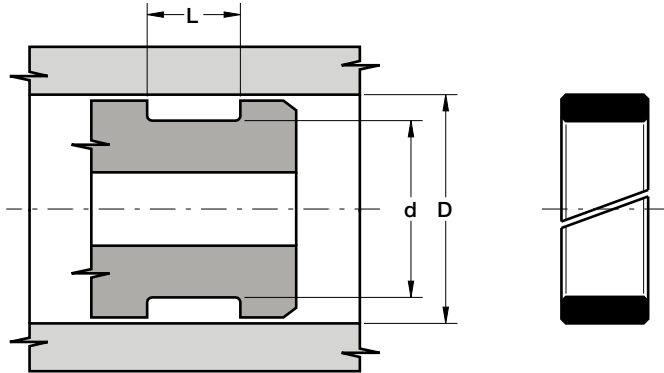
A_{mm}	• usable guide ring width in mm
F_N	• radial load in N
k	• safety factor (<i>generally 2</i>)
d_{mm}	• rod diameter in mm
p_{N/mm^2}	• surface pressure N/mm ²
	40 a 20 °C
	30 a 70 °C

- Before assembly good cleanliness and guide lubrication are recommended.



Part.	d ^{f7}	D ^{+0.05}	M ^{+0.2}	L ^{+0.2}	h	A
FIT 132 138 26	132	138	142	7.0	26	19
FIT 135 140 16	135	140	144.5	8.0	16	8
FIT 140 146 30	140	146	150.5	10.0	30	20
FIT 148.5 152.5 20	148.5	152.5	156.5	7.0	20	13
FIT 152 158 26	152	158	162	7.0	26	19
FIT 171.5 175.5 20	171.5	175.5	179.5	7.0	20	13
FIT 172 178 26	172	178	182	7.0	26	19
FIT 194 200 26	194	200	204	7.0	26	19
FIT 194.5 198.5 20	194.5	198.5	202.5	7.0	20	13

Part.	d ^{f7}	D ^{+0.05}	M ^{+0.2}	L ^{+0.2}	h	A
FIT 38 42 12.5	38	42	44	4.5	12.5	8
FIT 45 46.8 8.8	45	46.8	49.8	2.5	8.8	6.3
FIT 45 49 10	45	49	53	4.0	10	6
FIT 50 54 20	50	54	58	7.0	20	13
FIT 55 60 16	55	60	64.5	8.0	16	8
FIT 60 61.8 8.8	60	61.8	64.8	3.0	8.8	5.8
FIT 61 65 10	61	65	69	4.0	10	6
FIT 70 74 20	70	74	78	7.0	20	13
FIT 72 79 31	72	79	82	8.0	31	23
FIT 75 80 16	75	80	84.5	8.0	16	8
FIT 75.3 80.5 30	75.3	80.5	85	8.1	30	21.9
FIT 76 80 12	76	80	84	5.0	12	7
FIT 85 90 27	85	90	95	8.0	27	19
FIT 85 91 27	85	91	95	6.0	27	21
FIT 88.5 92.5 20	88.5	92.5	96.5	7.0	20	13
FIT 90 96 26	90	96	100	7.0	26	19
FIT 91 95 15	91	95	100	6.0	15	9
FIT 95 100 16	95	100	104.5	8.0	16	8
FIT 97 103 30	97	103	107.5	10.0	30	20
FIT 105 111 31	105	111	115	8.0	31	23
FIT 108.5 112.5 20	108.5	112.5	116.5	7.0	20	13
FIT 110 116 26	110	116	120	7.0	26	19
FIT 115 120 16	115	120	124.5	8.0	16	8
FIT 118 124 30	118	124	128.5	10.0	30	20
FIT 125 130 29	125	130	134	8.0	29	21
FIT 128.5 132.5 20	128.5	132.5	136.5	7.0	20	13



DESCRIPTION

Split piston guide ring

MATERIAL

Type: Acetal resin with glass fibre
Designation: BEARITE

MAIN FEATURES

The FE type guide rings have been developed to substitute traditional bronze guides in hydraulic cylinders. They guide the piston and prevent metallic contact with the cylinder when radial forces act perpendicular to the direction of movement.

Chamfered edges prevent the splintering of the material during assembly and make the installation into the groove easier.

The compound used for these guides is a medium viscosity glass fibre reinforced acetal resin characterized by high strength, rigidity, hardness, impact resistance, resilience and excellent stability to high and low temperature.

- Extended service life
- Excellent wear-resistance
- Simple design of groove and assembly
- Reduce vibrations
- Low friction
- Good resistance to loads
- Good mechanical stability at high temperature
- Easy installation without expensive auxiliaries

FIELD OF APPLICATION

Speed	≤ 1 m/s
Temperature	-40°C ÷ +110°C
Fluids	Hydraulic oils (mineral oil based). <i>For other fluids contact our technical department</i>

SURFACE ROUGHNESS

Dynamic surface	Ra ≤ 0.3 μm	Rt ≤ 2.5 μm
Dynamic surface	Ra ≤ 2 μm	Rt ≤ 10 μm

CHOICE OF GUIDE RING WIDTH

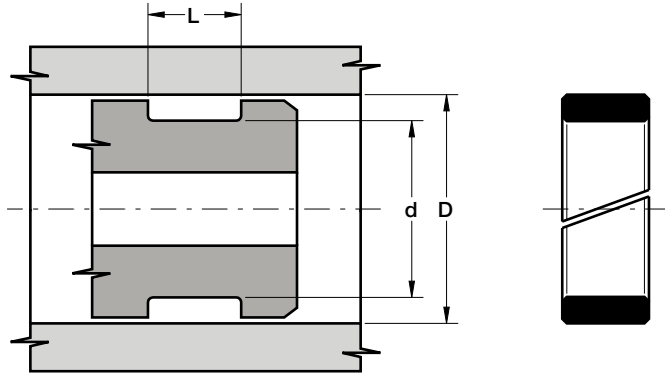
A rough estimate of guide width can be calculated with the following formula:

$$h_{mm} \geq \frac{F_N \times k}{p_{N/mm^2} \times d_{mm}}$$

where

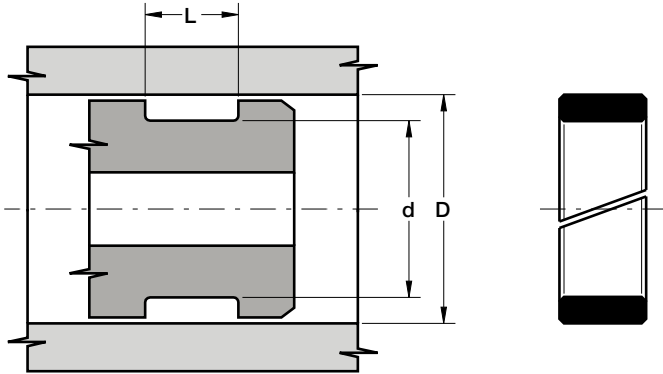
h_{mm}	• guide ring width in mm
F_N	• radial load in N
k	• safety factor (<i>generally 2</i>)
d_{mm}	• piston diameter in mm
p_{N/mm^2}	• surface pressure N/mm ²
	40 a 20 °C
	30 a 70 °C

- Before assembly good cleanliness and guide lubrication are recommended.



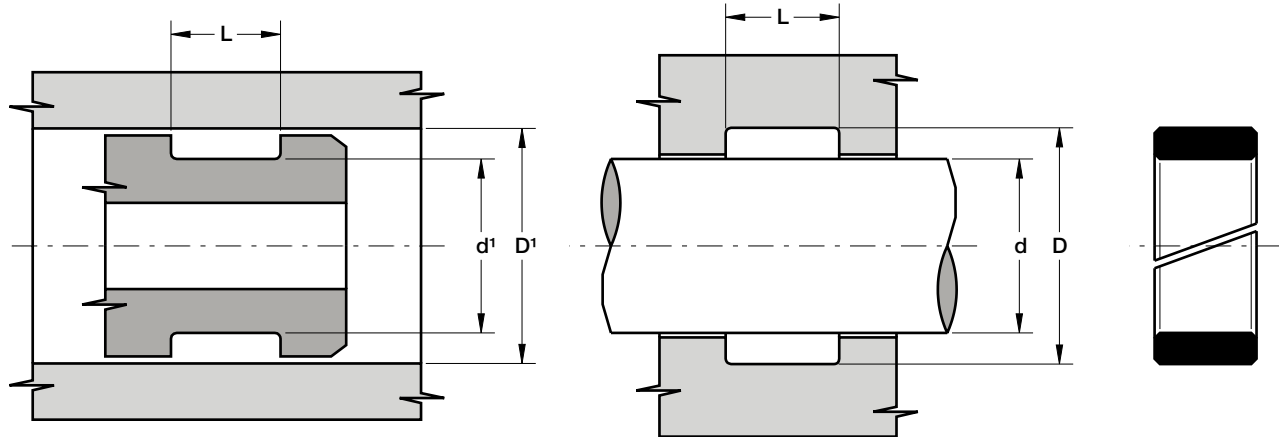
Part.	D ^{H8}	d ^{-0.05}	L ^{+0.25}
FE 16	16	12	9.6
FE 18	18	14	9.6
FE 20	20	16	9.6
FE 20 16 5.6	20	16	5.6
FE 22	22	18	9.6
FE 24	24	20	9.6
FE 25 19 9.6	25	19	9.6
FE 25 21 8.2	25	21	8.2
FE 25	25	21	9.6
FE 26	26	22	9.6
FE 28	28	24	9.6
FE 30	30	26	9.6
FE 32	32	28	9.6
FE 34	34	30	9.6
FE 35	35	31	9.6
FE 36	36	32	9.6
FE 40 34 9.6	40	34	9.6
FE 40	40	36	9.6
FE 42	42	38	9.6
FE 45	45	41	9.6
FE 46	46	42	9.6
FE 48	48	42	9.6
FE 49	49	43	9.6
FE 50	50	44	9.6

Part.	D ^{H8}	d ^{-0.05}	L ^{+0.25}
FE 50.8 44.45 12.7	50.8	44.45	12.7
FE 55 49 9.6	55	49	9.6
FE 55	55	49	12.8
FE 56	56	50	12.8
FE 57.16 50.25 6.1	57.16	50.25	6.1
FE 60 54 9.6	60	54	9.6
FE 60	60	54	12.8
FE 63	63	57	12.8
FE 63 57 10	63	57	10.0
FE 63.5 57.15 12.7	63.5	57.15	12.7
FE 65	65	59	12.8
FE 69.85 63.5 12.7	69.85	63.5	12.7
FE 70	70	64	12.8
FE 74	74	68	12.8
FE 75	75	69	12.8
FE 75 69 9.6	75	69	9.6
FE 75 71 15.1	75	71	15.1
FE 80	80	74	12.8
FE 85	85	79	12.8
FE 90 84 10/S	90	84	10.0
FE 90	90	84	12.8
FE 94	94	88	12.8
FE 95	95	89	12.8
FE 96	96	90	12.8
FE 100	100	94	12.8
FE 105	105	99	12.8
FE 110	110	104	12.8
FE 115	115	109	12.8
FE 120	120	114	12.8
FE 125	125	119	12.8
FE 126	126	120	12.8
FE 130	130	124	12.8
FE 135	135	129	12.8
FE 135 129 19.2	135	129	19.2
FE 140	140	134	12.8
FE 145	145	139	12.8
FE 147	147	141	12.8
FE 150	150	144	12.8
FE 152.4 146.05 12.7	152.4	146.05	12.7
FE 155	155	149	19.2



Part.	D ^{H8}	d ^{-0.05}	L ^{+0.25}
FE 160	160	154	19.2
FE 165	165	159	19.2
FE 170	170	164	19.2
FE 175	175	169	19.2
FE 177.8 171.45 12.7	177.8	171.45	12.7
FE 180	180	174	19.2
FE 185	185	179	19.2
FE 190	190	184	19.2
FE 195	195	189	19.2
FE 198	198	192	19.2
FE 200	200	194	19.2
FE 205	205	199	19.2
FE 210	210	204	19.2
FE 215	215	209	19.2
FE 220	220	214	19.2
FE 225	225	219	19.2
FE 230	230	224	19.2
FE 235	235	229	19.2
FE 240	240	234	19.2
FE 245	245	239	19.2
FE 250	250	244	19.2
FE 255	255	249	19.2
FE 260	260	254	19.2
FE 265	265	259	19.2

Part.	D ^{H8}	d ^{-0.05}	L ^{+0.25}
FE 270	270	264	19.2
FE 275	275	269	19.2
FE 280	280	274	19.2
FE 285	285	279	19.2
FE 290	290	284	19.2
FE 295	295	289	19.2
FE 300	300	294	19.2



DESCRIPTION

Split rod and piston guide ring

MATERIAL

Type: Acetal resin with glass fibre
Designation: BEARITE

MAIN FEATURES

The FR type guide rings have been developed to substitute traditional bronze guides in hydraulic cylinders. They guide the rod or the piston and prevent metallic contact with the cylinder when radial forces act perpendicular to the direction of movement.

Chamfered edges prevent splintering of the material during assembly and make the installation into the groove easier.

The compound used for these guides is a medium viscosity glass fibre reinforced acetal resin characterized by high strength, rigidity, hardness, impact resistance, resilience and excellent stability to high and low temperature.

- Extended service life
- Dimension suitable for both rod and piston
- Excellent wear-resistance
- Simple design of groove and assembly
- Reduce vibrations
- Low friction
- Good resistance to loads
- Good mechanical stability at high temperature
- Easy installation without expensive auxiliaries

FIELD OF APPLICATION

Speed	≤ 1 m/s
Temperature	-40°C ÷ +110°C
Fluid	Hydraulic oils (mineral oil based). <i>For other fluids contact our technical department</i>

SURFACE ROUGHNESS

Superf. dinamica	Ra ≤ 0.3 µm	Rt ≤ 2.5 µm
Superf. statica	Ra ≤ 2 µm	Rt ≤ 10 µm

CHOICE OF GUIDE RING WIDTH

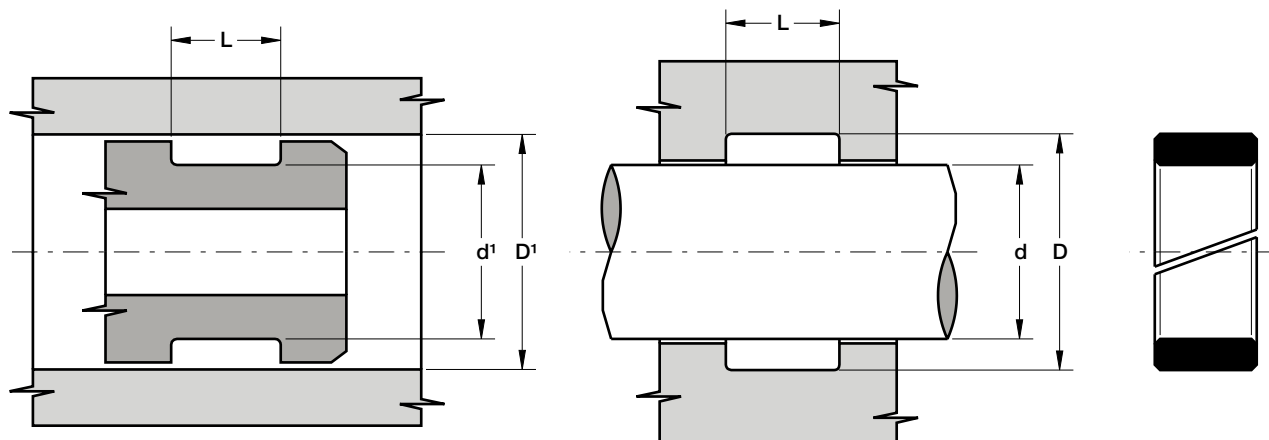
A rough estimate of guide width can be calculated with the following formula:

$$h_{mm} \geq \frac{F_N \times k}{p_{N/mm^2} \times d_{mm}}$$

where

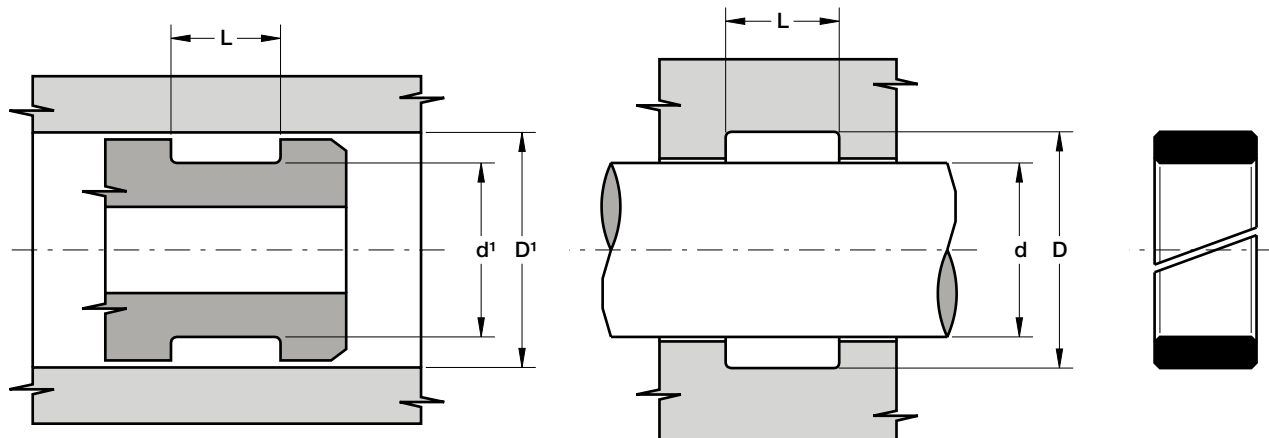
h_{mm}	• guide ring width in mm
F_N	• radial load in N
k	• safety factor (<i>generally 2</i>)
d_{mm}	• diameter in mm
p_{N/mm^2}	• surface pressure N/mm ²
	40 a 20 °C
	30 a 70 °C

- Before assembly good cleanliness and guide lubrication are recommended.



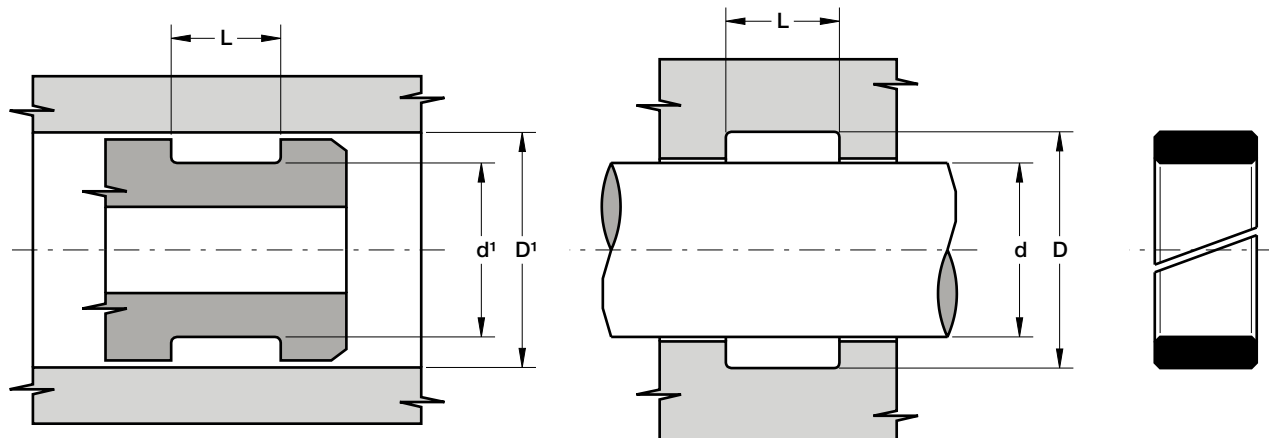
Part.	$d^{1-0.05}$ d^{f7}	D^{1H8} $D^{+0.05}$	$L^{+0.25}$
FR 16 19.1 4	16	19.1	4.0
FR 20 25 5.6	20	25	5.6
FR 25 30 5.6	25	30	5.6
FR 25 30 9.7	25	30	9.7
FR 27 32 5.6	27	32	5.6
FR 27.3 32 9.82	27.3	32	9.82
FR 30 35 5.6	30	35	5.6
FR 30 35 9.7	30	35	9.7
FR 30 35 19.4	30	35	19.4
FR 32 37 9.7	32	37	9.7
FR 35 40 4.5	35	40	4.5
FR 35 40 5.6	35	40	5.6
FR 35 40 9.7	35	40	9.7
FR 36 41 5.6	36	41	5.6
FR 40 45 5.6	40	45	5.6
FR 40 45 9.7	40	45	9.7
FR 45 50 5.6	45	50	5.6
FR 45 50 9.7	45	50	9.7
FR 45 50 19.4	45	50	19.4
FR 45.4 50 6.7	45.4	50	6.7
FR 46 50 9.7	46	50	9.7
FR 46 50 10.2	46	50	10.2
FR 50 55 5.6	50	55	5.6

Part.	$d^{1-0.05}$ d^{f7}	D^{1H8} $D^{+0.05}$	$L^{+0.25}$
FR 50 55 9.7	50	55	9.7
FR 55 60 5.6	55	60	5.6
FR 55 60 9.7	55	60	9.7
FR 56 60 10.2	56	60	10.2
FR 57.18 62.18 19.8	57.18	62.18	19.8
FR 58 63 5.6	58	63	5.6
FR 58 63 9.7	58	63	9.7
FR 59 63 10	59	63	10.0
FR 60 65 5.6	60	65	5.6
FR 60 65 9.7	60	65	9.7
FR 60 65 19.4	60	65	19.4
FR 65 70 5.6	65	70	5.6
FR 65 70 9.7	65	70	9.7
FR 66 70 10.2	66	70	10.2
FR 67 72 5.6	67	72	5.6
FR 70 75 5.6	70	75	5.6
FR 70 75 9.7	70	75	9.7
FR 71.2 76.2 20	71.2	76.2	20.0
FR 75 80 5.6	75	80	5.6
FR 75 80 9.7	75	80	9.7
FR 75 80 19.4	75	80	19.4
FR 76 80 10	76	80	10.0
FR 80 85 5.6	80	85	5.6



Part.	$d^{1-0.05}$ d^{f7}	D^{1H8} $D^{+0.05}$	$L^{+0.25}$
FR 80 85 9.7	80	85	9.7
FR 85 90 5.6	85	90	5.6
FR 85 90 9.7	85	90	9.7
FR 88.9 93.9 19.8	88.9	93.9	19.8
FR 90 95 5.6	90	95	5.6
FR 90 95 9.7	90	95	9.7
FR 90 95 19.4	90	95	19.4
FR 92 97 9.7	92	97	9.7
FR 95 100 5.6	95	100	5.6
FR 95 100 9.7	95	100	9.7
FR 96 100 10	96	100	10.0
FR 100 105 5.6	100	105	5.6
FR 100 105 9.7	100	105	9.7
FR 103 108 20	103	108	20.0
FR 105 110 9.7	105	110	9.7
FR 105 110 15	105	110	15.0
FR 105 110 19.4	105	110	19.4
FR 110 115 9.7	110	115	9.7
FR 115 120 9.7	115	120	9.7
FR 120 125 5.6	120	125	5.6
FR 120 125 9.7	120	125	9.7
FR 122 127 9.7	122	127	9.7
FR 122 127 19.4	122	127	19.4

Part.	$d^{1-0.05}$ d^{f7}	D^{1H8} $D^{+0.05}$	$L^{+0.25}$
FR 130 135 9.7	130	135	9.7
FR 135 140 15	135	140	15.0
FR 145 150 19.4	145	150	19.4
FR 145 150 20	145	150	20.0
FR 155 160 15	155	160	15.0
FR 175 180 15	175	180	15.0
FR 176 180 25	176	180	25.0



DESCRIPTION

Split rod and piston guide ring

MATERIAL

Type: Phenolic resin in cotton fabric
Designation: PHENOLITE

MAIN FEATURES

The GRF type guide rings have been developed to substitute traditional bronze guides in hydraulic cylinders. They guide the rod or the piston and prevent metallic contact with the cylinder when radial forces act perpendicular to the direction of movement.

Since GRF guide rings are machined from tube, the thickness can be very precise for high guiding performance.

The compound used for these guides is a cotton fabric bound with thermosetting phenolic resin characterized by excellent heavy loads resistance, rigidity, hardness and high service temperature.

- Excellent resistance to heavy loads
- High precision of guiding
- Good resistance to "diesel effect"
- Extended service life
- Dimension suitable for both rod and piston
- Simple design of groove and assembly
- Low friction
- Good mechanical stability at high temperature
- Easy installation without expensive auxiliaries

FIELD OF APPLICATION

Speed	≤ 1 m/s
Temperature	-40°C ÷ +130°C
Fluids	Hydraulic oils (mineral oil based). <i>For other fluids contact our technical department</i>

SURFACE ROUGHNESS

Dynamic surface	Ra ≤ 0.3 μm	Rt ≤ 2.5 μm
Static surface	Ra ≤ 2 μm	Rt ≤ 10 μm

CHOICE OF GUIDE RING WIDTH

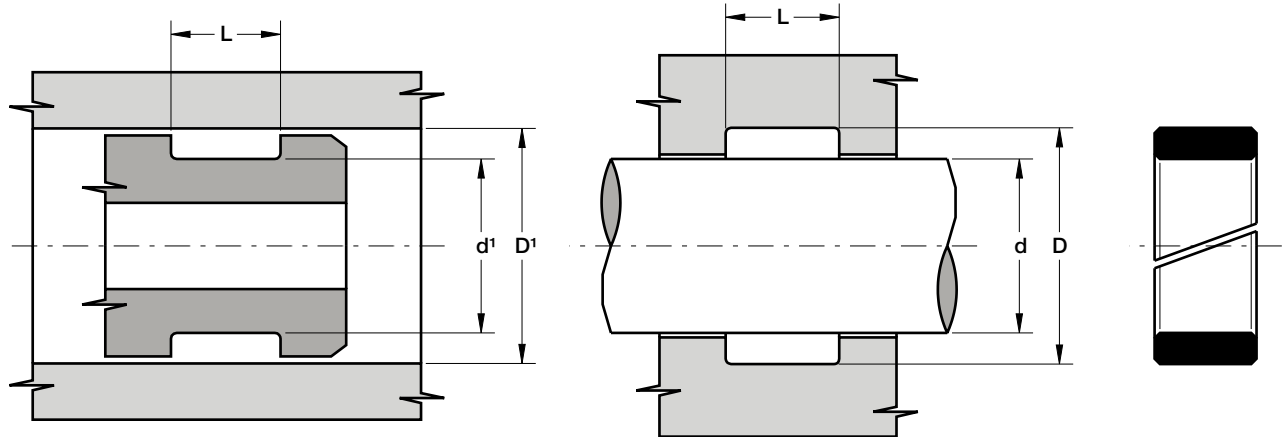
A rough estimate of guide width can be calculated with the following formula:

$$h_{mm} \geq \frac{F_N \times k}{p_{N/mm^2} \times d_{mm}}$$

where

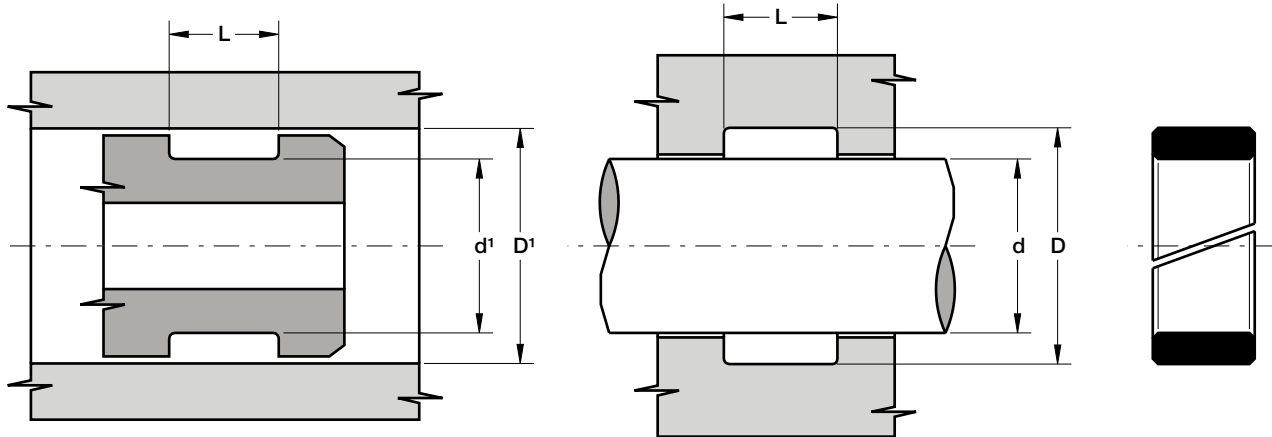
h_{mm}	• guide ring width in mm
F_N	• radial load in N
k	• safety factor (<i>generally 2</i>)
d_{mm}	• diameter in mm
p_{N/mm^2}	• surface pressure N/mm ²
	100 a 20 °C
	75 a 70 °C
	50 a 120 °C

- Before assembly good cleanliness and guide lubrication are recommended.



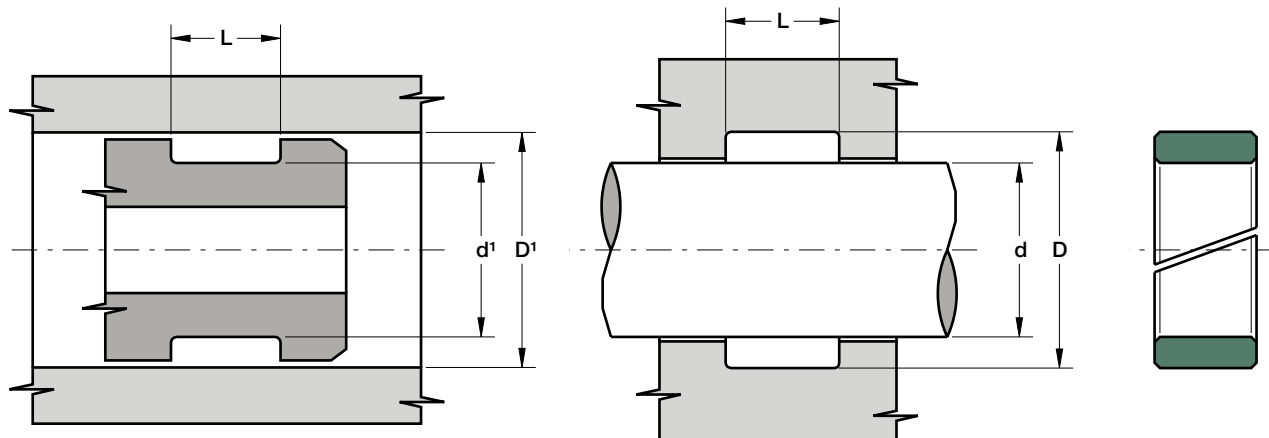
Part.	$d^{1\text{H8}}$ d^{f8}	$D^{1\text{H9}}$ D^{H8}	$L^{+0.2}$
GRF 20 25 9.7	20	25	9.7
GRF 25 30 9.7	25	30	9.7
GRF 27 32 9.7	27	32	9.7
GRF 30 35 9.7	30	35	9.7
GRF 35 40 9.7	35	40	9.7
GRF 36 41 9.7	36	41	9.7
GRF 36 41 15	36	41	15.0
GRF 37 42 9.7	37	42	9.7
GRF 40 45 9.7	40	45	9.7
GRF 45 50 9.7	45	50	9.7
GRF 50 55 9.7	50	55	9.7
GRF 50 55 15	50	55	15.0
GRF 55 60 9.7	55	60	9.7
GRF 55 60 15	55	60	15.0
GRF 56 61 9.7	56	61	9.7
GRF 58 63 9.7	58	63	9.7
GRF 58 63 15	58	63	15.0
GRF 60 65 9.7	60	65	9.7
GRF 60 65 15	60	65	15.0
GRF 63 68 9.7	63	68	9.7
GRF 65 70 9.7	65	70	9.7
GRF 65 70 15	65	70	15.0
GRF 70 75 9.7	70	75	9.7

Part.	$d^{1\text{H8}}$ d^{f8}	$D^{1\text{H9}}$ D^{H8}	$L^{+0.2}$
GRF 70 75 15	70	75	15.0
GRF 75 80 9.7	75	80	9.7
GRF 75 80 15	75	80	15.0
GRF 80 85 9.7	80	85	9.7
GRF 80 85 15	80	85	15.0
GRF 85 90 9.7	85	90	9.7
GRF 85 90 15	85	90	15.0
GRF 90 95 9.7	90	95	9.7
GRF 90 95 15	90	95	15.0
GRF 94 99 9.7	94	99	9.7
GRF 95 100 9.7	95	100	9.7
GRF 95 100 15	95	100	15.0
GRF 100 105 9.7	100	105	9.7
GRF 100 105 15	100	105	15.0
GRF 105 110 9.7	105	110	9.7
GRF 105 110 15	105	110	15.0
GRF 110 115 9.7	110	115	9.7
GRF 110 115 15	110	115	15.0
GRF 115 120 9.7	115	120	9.7
GRF 115 120 15	115	120	15.0
GRF 120 125 9.7	120	125	9.7
GRF 120 125 15	120	125	15.0
GRF 125 130 9.7	125	130	9.7



Part.	$d^{1\ H8}$ d^{f8}	$D^{1\ H9}$ D^{H8}	$L^{+0.2}$
GRF 125 130 15	125	130	15.0
GRF 130 135 9.7	130	135	9.7
GRF 130 135 15	130	135	15.0
GRF 135 140 9.7	135	140	9.7
GRF 135 140 15	135	140	15.0
GRF 140 145 9.7	140	145	9.7
GRF 140 145 15	140	145	15.0
GRF 145 150 9.7	145	150	9.7
GRF 145 150 15	145	150	15.0
GRF 150 155 9.7	150	155	9.7
GRF 150 155 15	150	155	15.0
GRF 155 160 9.7	155	160	9.7
GRF 155 160 15	155	160	15.0
GRF 160 165 9.7	160	165	9.7
GRF 160 165 15	160	165	15.0
GRF 165 170 15	165	170	15.0
GRF 170 175 9.7	170	175	9.7
GRF 170 175 15	170	175	15.0
GRF 175 180 9.7	175	180	9.7
GRF 175 180 15	175	180	15.0
GRF 180 185 9.7	180	185	9.7
GRF 180 185 15	180	185	15.0
GRF 185 190 9.7	185	190	9.7

Part.	$d^{1\ H8}$ d^{f8}	$D^{1\ H9}$ D^{H8}	$L^{+0.2}$
GRF 185 190 15	185	190	15.0
GRF 190 195 15	190	195	15.0
GRF 195 200 9.7	195	200	9.7
GRF 195 200 15	195	200	15.0
GRF 200 205 15	200	205	15.0
GRF 240 245 15	240	245	15.0
GRF 255 260 15	255	260	15.0
GRF 255 260 15	255	260	15.0



DESCRIPTION

Split rod and piston guide ring

MATERIAL

Type: Polytetrafluoroethylene + Bronze
Designation: SEALFLON + Bronze

MAIN FEATURES

The GRB type guide rings have been developed to substitute traditional bronze guides in hydraulic cylinders. They guide the rod or the piston and prevent metallic contact with the cylinder when radial forces act perpendicular to the direction of movement.

Since GRB guide rings are machined, the thickness can be very accurate for high precision guiding.

The compound used for these guides assures an exceptional low friction and high speed performance, a high compatibility with nearly all media due to the chemical resistance which exceeds that of all other thermoplastics and elastomers.

- Low static and dynamic friction (also without lubrication)
- High speed allowed
- No tendency of stick-slip
- High precision of guiding
- Good damping on radial vibration
- High compatibility with nearly all fluids
- Simple design of groove and assembly
- Good mechanical stability at high temperature
- Easy installation without expensive auxiliaries
- Low resistance to heavy loads

FIELD OF APPLICATION

Speed	≤ 5 m/s
Temperature	-50°C ÷ +200°C
Fluids	High compatibility with nearly all media due to the chemical resistance of the material

SURFACE ROUGHNESS

Dynamic surface	Ra ≤ 0.3 μm	Rt ≤ 2.5 μm
Static surface	Ra ≤ 1.6 μm	Rt ≤ 6.3 μm

CHOICE OF GUIDE RING WIDTH

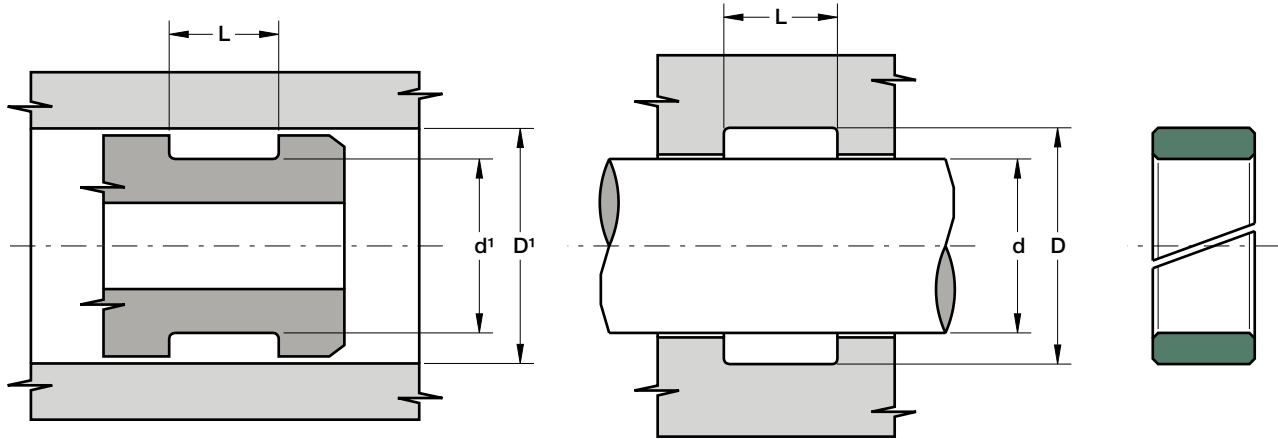
A rough estimate of guide width can be calculated with the following formula:

$$h_{mm} \geq \frac{F_N \times k}{\rho_{N/mm^2} \times d_{mm}}$$

where

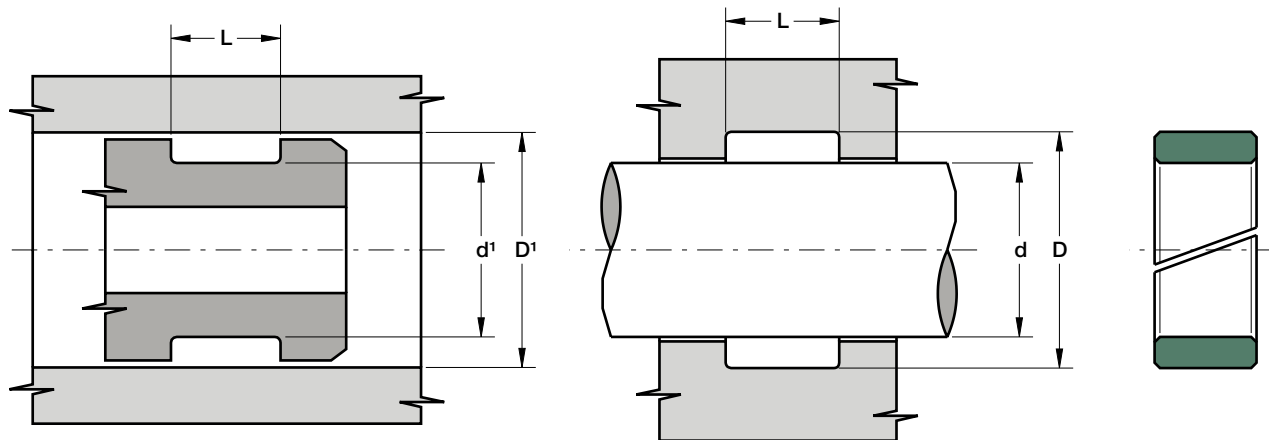
h_{mm}	• guide ring width in mm
F_N	• radial load in N
k	• safety factor (<i>generally 2</i>)
d_{mm}	• diameter in mm
ρ_{N/mm^2}	• surface pressure N/mm ²
	14 a 20 °C
	7 a 80 °C
	5 a 120 °C

- Before assembly good cleanliness and guide lubrication are recommended.



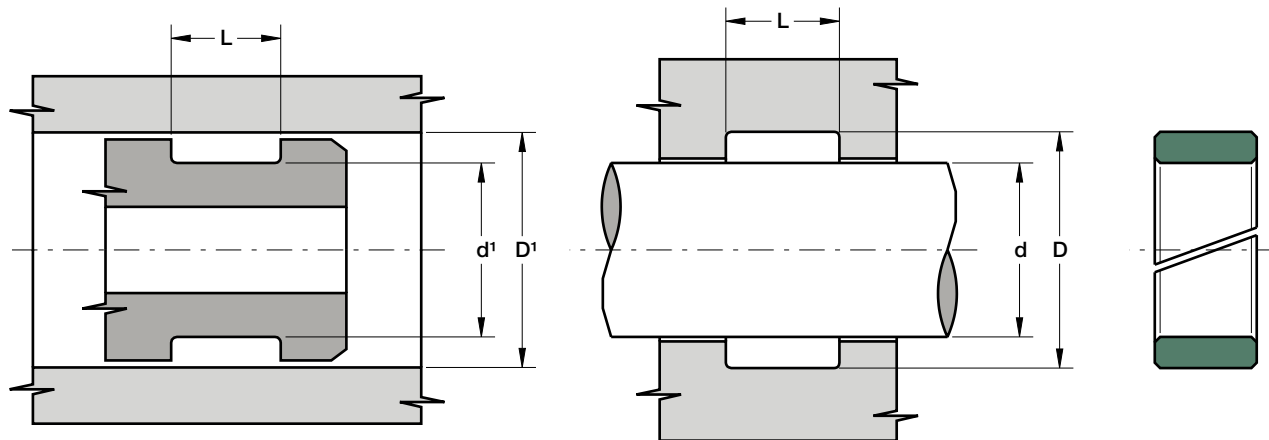
Part.	$d^{1\text{ h8}}$ d_{f8}	$D^{1\text{ H9}}$ D_{H8}	$L^{+0.2}$
GRB 15 20 6.3	15	20	6.3
GRB 20 25 6.3	20	25	6.3
GRB 25 30 6.3	25	30	6.3
GRB 30 35 6.3	30	35	6.3
GRB 30 35 8.1	30	35	8.1
GRB 30 35 9.7	30	35	9.7
GRB 35 40 6.3	35	40	6.3
GRB 35 40 8.1	35	40	8.1
GRB 35 40 9.7	35	40	9.7
GRB 40 45 6.3	40	45	6.3
GRB 40 45 8.1	40	45	8.1
GRB 40 45 9.7	40	45	9.7
GRB 40 45 15	40	45	15.0
GRB 45 50 6.3	45	50	6.3
GRB 45 50 8.1	45	50	8.1
GRB 45 50 9.7	45	50	9.7
GRB 45 50 15	45	50	15.0
GRB 50 55 6.3	50	55	6.3
GRB 50 55 8.1	50	55	8.1
GRB 50 55 9.7	50	55	9.7
GRB 50 55 15	50	55	15.0
GRB 55 60 6.3	55	60	6.3
GRB 55 60 8.1	55	60	8.1

Part.	$d^{1\text{ h8}}$ d_{f8}	$D^{1\text{ H9}}$ D_{H8}	$L^{+0.2}$
GRB 55 60 9.7	55	60	9.7
GRB 55 60 15	55	60	15.0
GRB 60 65 6.3	60	65	6.3
GRB 60 65 8.1	60	65	8.1
GRB 60 65 9.7	60	65	9.7
GRB 60 65 15	60	65	15.0
GRB 65 70 6.3	65	70	6.3
GRB 65 70 8.1	65	70	8.1
GRB 65 70 9.7	65	70	9.7
GRB 65 70 15	65	70	15.0
GRB 70 75 6.3	70	75	6.3
GRB 70 75 8.1	70	75	8.1
GRB 70 75 9.7	70	75	9.7
GRB 70 75 15	70	75	15.0
GRB 75 80 6.3	75	80	6.3
GRB 75 80 8.1	75	80	8.1
GRB 75 80 9.7	75	80	9.7
GRB 75 80 15	75	80	15.0
GRB 80 85 8.1	80	85	8.1
GRB 80 85 9.7	80	85	9.7
GRB 80 85 15	80	85	15.0
GRB 85 90 8.1	85	90	8.1
GRB 85 90 9.7	85	90	9.7

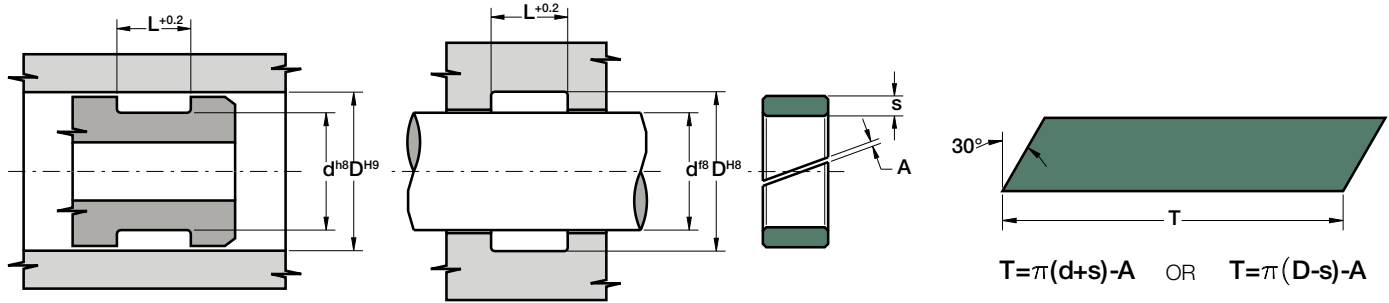


Part.	$d^{1\text{H9}}$ d^{f8}	$D^{1\text{H9}}$ D^{H8}	$L^{+0.2}$
GRB 85 90 15	85	90	15.0
GRB 90 95 8.1	90	95	8.1
GRB 90 95 9.7	90	95	9.7
GRB 90 95 15	90	95	15.0
GRB 95 100 8.1	95	100	8.1
GRB 95 100 9.7	95	100	9.7
GRB 95 100 15	95	100	15.0
GRB 100 105 8.1	100	105	8.1
GRB 100 105 9.7	100	105	9.7
GRB 100 105 15	100	105	15.0
GRB 105 110 8.1	105	110	8.1
GRB 105 110 9.7	105	110	9.7
GRB 105 110 15	105	110	15.0
GRB 110 115 8.1	110	115	8.1
GRB 110 115 9.7	110	115	9.7
GRB 110 115 15	110	115	15.0
GRB 115 120 8.1	115	120	8.1
GRB 115 120 9.7	115	120	9.7
GRB 115 120 15	115	120	15.0
GRB 120 125 8.1	120	125	8.1
GRB 120 125 9.7	120	125	9.7
GRB 120 125 15	120	125	15.0

Part.	$d^{1\text{H9}}$ d^{f8}	$D^{1\text{H9}}$ D^{H8}	$L^{+0.2}$
GRB 125 130 8.1	125	130	8.1
GRB 125 130 9.7	125	130	9.7
GRB 125 130 15	125	130	15.0
GRB 130 135 9.7	130	135	9.7
GRB 130 135 15	130	135	15.0
GRB 135 140 9.7	135	140	9.7
GRB 135 140 15	135	140	15.0
GRB 140 145 9.7	140	145	9.7
GRB 140 145 15	140	145	15.0
GRB 145 150 9.7	145	150	9.7
GRB 145 150 15	145	150	15.0
GRB 150 155 9.7	150	155	9.7
GRB 150 155 15	150	155	15.0
GRB 155 160 9.7	155	160	9.7
GRB 155 160 15	155	160	15.0
GRB 160 165 9.7	160	165	9.7
GRB 160 165 15	160	165	15.0
GRB 165 170 9.7	165	170	9.7
GRB 165 170 15	165	170	15.0
GRB 170 175 9.7	170	175	9.7
GRB 170 175 15	170	175	15.0
GRB 175 180 9.7	175	180	9.7



Part.	$d^{1\text{ h8}}$ d_{f8}	$D^{1\text{ H9}}$ D_{H8}	$L^{+0.2}$
GRB 175 180 15	175	180	15.0
GRB 180 185 9.7	180	185	9.7
GRB 180 185 15	180	185	15.0
GRB 185 190 9.7	185	190	9.7
GRB 185 190 15	185	190	15.0
GRB 190 195 15	190	195	15.0
GRB 195 200 15	195	200	15.0



DESCRIPTION

Guide ring strip to fit cut to size or by meter

MATERIAL

Type: Polytetrafluoroethylene + Bronze
Designation: SEALFLON + Bronze

MAIN FEATURES

The MRB type guide rings have been developed to substitute traditional bronze guides in hydraulic cylinders. They guide the rod or the piston and prevent metallic contact with the cylinder when radial forces act perpendicular to the direction of movement.

Since MRB guide rings are machined, the thickness can be very accurate for high precision guiding.

The compound used for these guides assures exceptional low friction and high speed performance, high compatibility with nearly all media due to the chemical resistance which exceeds that of all other thermoplastics and elastomers.

- Low static and dynamic friction (also without lubrication)
- High speed allowed
- No tendency of stick-slip
- High precision of guiding
- Good damping on radial vibration
- High compatibility with nearly all fluids
- Simple design of groove and assembly
- Good mechanical stability at high temperature
- Easy installation without expensive auxiliaries
- Low resistance to heavy loads

FIELD OF APPLICATION

Speed	≤ 5 m/s
Temperature	-50°C ÷ +200°C
Fluids	High compatibility with nearly all media due to the chemical resistance of the material

SURFACE ROUGHNESS

Dynamic surface	Ra ≤ 0.3 μm	Rt ≤ 2.5 μm
Static surface	Ra ≤ 1.6 μm	Rt ≤ 6.3 μm

CHOICE OF GUIDE RING WIDTH

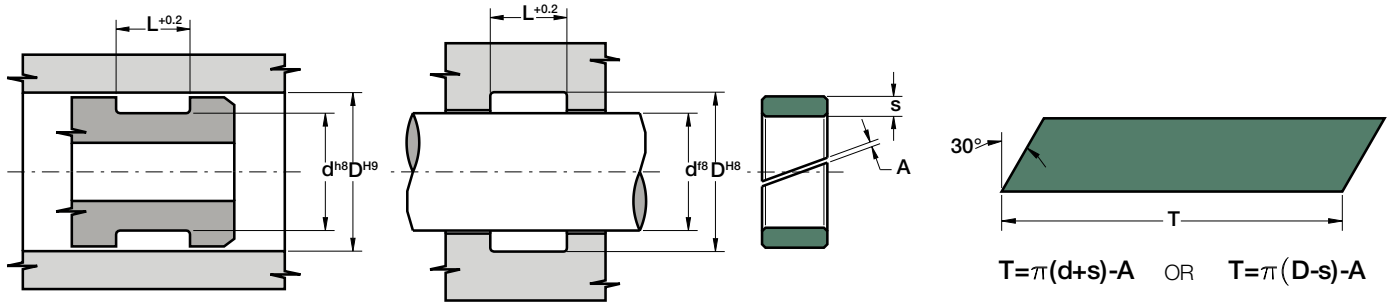
A rough estimate of guide width can be calculated with the following formula:

$$h_{mm} \geq \frac{F_N \times k}{p_{N/mm^2} \times d_{mm}}$$

where

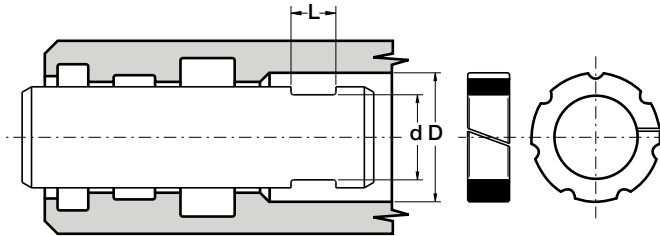
h_{mm}	• guide ring width in mm
F_N	• radial load in N
k	• safety factor (<i>generally 2</i>)
d_{mm}	• diameter in mm
p_{N/mm^2}	• surface pressure N/mm ²
	14 a 20 °C
	7 a 80 °C
	5 a 120 °C

- Before assembly good cleanliness and guides lubrication are recommended.



Part.	s	L	A
MRB 15032	1.5	3.2	1.0 ÷ 1.5
MRB 15062	1.5	6.2	1.5 ÷ 3.5
MRB 15063	1.5	6.3	1.5 ÷ 3.5
MRB 15150	1.5	15.0	4.0 ÷ 8.0
MRB 15250	1.5	25.0	6.0 ÷ 8.0
MRB 20042	2.0	4.2	1.0 ÷ 2.0
MRB 20063	2.0	6.3	1.5 ÷ 3.5
MRB 20081	2.0	8.1	2.0 ÷ 5.0
MRB 20097	2.0	9.7	2.0 ÷ 5.0
MRB 20150	2.0	15.0	4.0 ÷ 8.0
MRB 20200	2.0	20.0	4.5 ÷ 8.0
MRB 20250	2.0	25.0	6.0 ÷ 8.0
MRB 20300	2.0	30.0	6.0 ÷ 9.0
MRB 25042	2.5	4.2	1.0 ÷ 2.0
MRB 25056	2.5	5.6	1.0 ÷ 2.0
MRB 25063	2.5	6.3	1.5 ÷ 3.5
MRB 25081	2.5	8.1	2.0 ÷ 5.0
MRB 25097	2.5	9.7	2.0 ÷ 6.0
MRB 25120	2.5	12.0	2.0 ÷ 6.0
MRB 25125	2.5	12.5	2.0 ÷ 6.0
MRB 25128	2.5	12.8	2.0 ÷ 6.0
MRB 25150	2.5	15.0	4.0 ÷ 8.0
MRB 25200	2.5	20.0	4.5 ÷ 8.0
MRB 25250	2.5	25.0	6.0 ÷ 8.0

Part.	s	L	A
MRB 25300	2.5	30.0	6.0 ÷ 9.0
MRB 30097	3.0	9.7	2.0 ÷ 6.0
MRB 30128	3.0	12.8	2.0 ÷ 6.0
MRB 30150	3.0	15.0	4.0 ÷ 8.0
MRB 30192	3.0	19.2	4.0 ÷ 8.0
MRB 30200	3.0	20.0	4.5 ÷ 8.0
MRB 30250	3.0	25.0	6.0 ÷ 8.0
MRB 30300	3.0	30.0	6.0 ÷ 9.0
MRB 30350	3.0	35.0	6.0 ÷ 9.0
MRB 30400	3.0	40.0	6.0 ÷ 9.0



DESCRIPTION

Split guide ring for plunger cylinder

MATERIAL

Type: Acetal resin with glass fibre

Designation: BEARITE

MAIN FEATURES

The guide rings type FSP have been realized to substitute traditional bronze guide in hydraulic cylinders.

They guide the rod of a plunger cylinder where, thanks to the big longitudinal grooves on the outside surface, an overflow of the fluid is continuously assured.

The compound used for these guides is a medium viscosity acetal resin glass fibre reinforced characterized by high strength, rigidity, hardness, impact resistance, resilience and excellent stability to high and low temperature.

- Extended service life
- Excellent wear-resistance
- Simple design of groove and assembly
- Low friction
- Good resistance to loads
- Good mechanical stability at high temperature
- Easy installation without expensive auxiliaries

FIELD OF APPLICATION

Speed	≤ 0.8 m/s
Temperature	-40°C ÷ +110°C
Fluids	Hydraulic oils (mineral oil based). <i>For other fluids contact our technical department</i>

SURFACE ROUGHNESS

Dynamic surface	Ra ≤ 0.3 µm	Rt ≤ 2.5 µm
Static surface	Ra ≤ 2 µm	Rt ≤ 10 µm

CHOICE OF GUIDE RING WIDTH

A rough estimate of guide width can be calculated with the following formula:

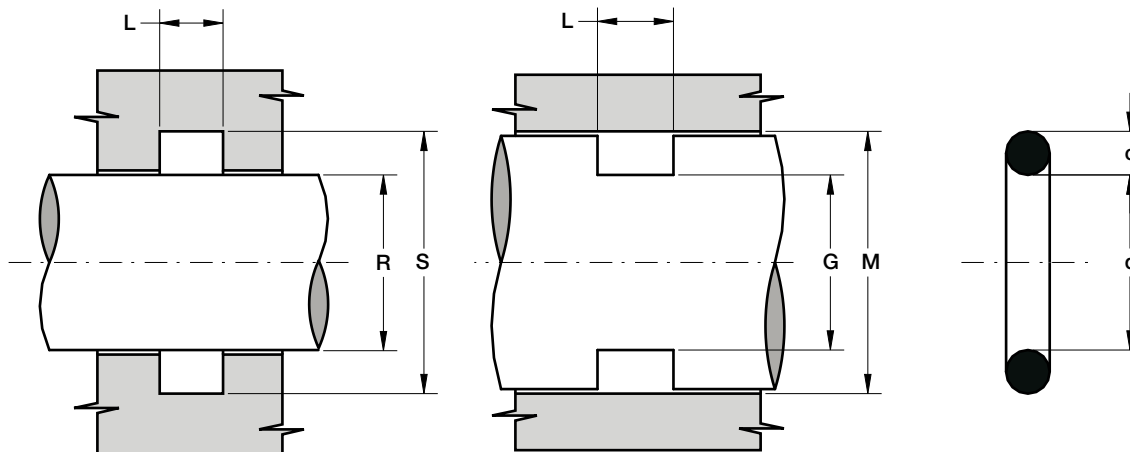
$$h_{mm} \geq \frac{F_N \times k}{p_{N/mm^2} \times d_{mm}}$$

where

h_{mm}	• guide ring width in mm
F_N	• radial load in N
k	• safety factor (generally 2)
d_{mm}	• diameter in mm
p_{N/mm^2}	• surface pressure N/mm ²
	40 a 20 °C
	30 a 70 °C

- Before assembly a good cleanness and guides lubrication are recommended.

Part.	D H8	d -0.05	L +0.5
FSP 25 16 12	25	16	13.0
FSP 30 20 12	30	20	13.0
FSP 33.5 24.5 12	33.5	24.5	13.0
FSP 35 25 12	35	25	13.0
FSP 40 30 12	40	30	13.0
FSP 42 32 12	42	32	13.0
FSP 45 35 12	45	35	13.0
FSP 49 41 8	49	41	9.0
FSP 49.9 40.92 11.7	49.9	40.92	12.7
FSP 50 40 15	50	40	16.0
FSP 54.5 45 19	54.5	45	20.0
FSP 55 45 15	55	45	16.0
FSP 60 45 15	60	45	16.0
FSP 60 50 15	60	50	16.0
FSP 65 55 15	65	55	16.0
FSP 65 57 8	65	57	9.0
FSP 75 65 12	75	65	13.0
FSP 75 65 15	75	65	16.0
FSP 80 71 10	80	71	11.0
FSP 85 75 15	85	75	16.0
FSP 95 86 10	95	86	11.0



DESCRIPTION

Endless ring with a circular cross section

MATERIAL

Type: Nitril Rubber NBR
 Designation: RUBSEAL 70
 Hardness: 70 °ShA

CODING

Usually the O-Ring is defined by a regulation (such as AS 568A or BS 1806) or by:

- inside diameter
- diameter of cross section

MAIN FEATURES

The O-Rings have been developed to be used as static (preferable) or as dynamic seals in a rectangular groove.

They are energized by pressure and can work as a single or double acting sealing element. The radial sealing forces, which guarantee good sealing performance, increase when the pressure rises.

Thanks to its elasticity, it can be installed very easily in a short time and without any auxiliaries.

The material used is a low permanent deformation nitril rubber with 70 °ShA of hardness, mainly used in the manufacturing of hydraulic seals.

- Low cost solution
- Universal applicability
- Single and double acting
- Simple groove design
- No close tolerances are necessary
- Symmetrical cross section
- Easy installation without expensive auxiliaries

FIELD OF APPLICATION

Pressure	See table below
Speed	Depending of working condition. It is preferable as static seal
Temperature	-30°C ÷ +130°C
Fluids	Hydraulic oils (mineral oil based). For other fluids contact our technical department

MAXIMUM PRESSURE

In order to avoid extrusion, the maximum pressure allowed depends on the fitting gap:

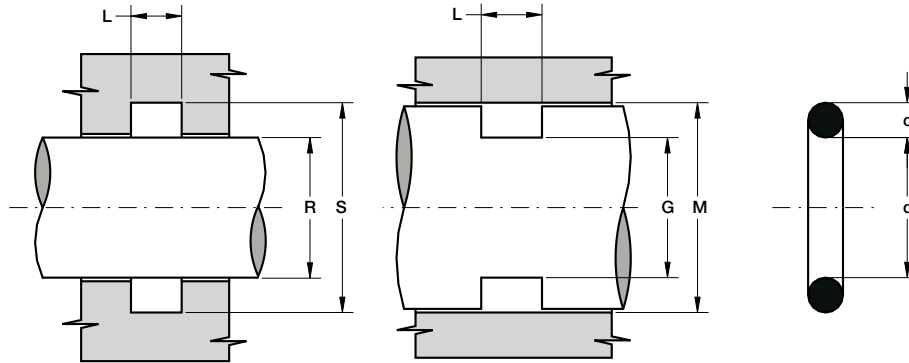
• 0,05 mm	190 bar
• 0,10 mm	130 bar
• 0,15 mm	110 bar
• 0,20 mm	100 bar
• 0,25 mm	90 bar
• 0,30 mm	80 bar
• 0,35 mm	75 bar

NB: for the Gap calculation, it is necessary to consider the elastic deformation of metal elements under pressure loads.

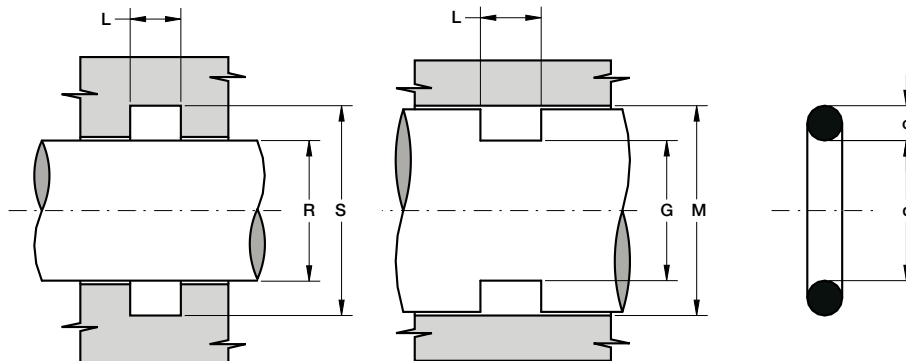
SURFACE ROUGHNESS

Static surface	Ra ≤ 0.8 μm	Rt ≤ 4.8 μm
Dynamic surface	Ra ≤ 0.3 μm	Rt ≤ 2.5 μm

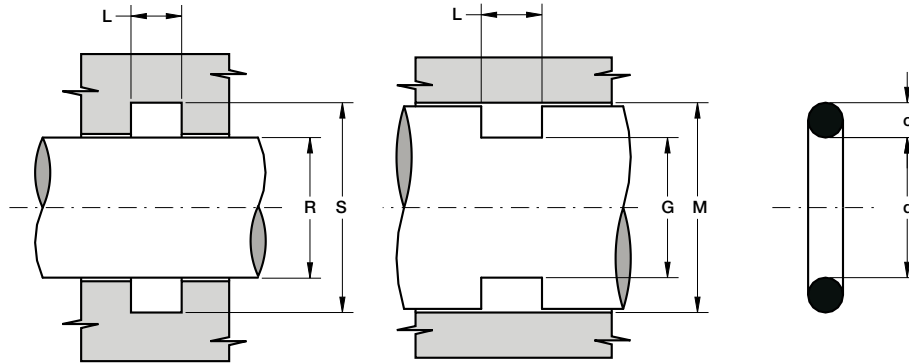
- to avoid damaging the OR during installation, housing must have rounded chamfers. Sharp edges and burrs within the installation area of the seal must be removed



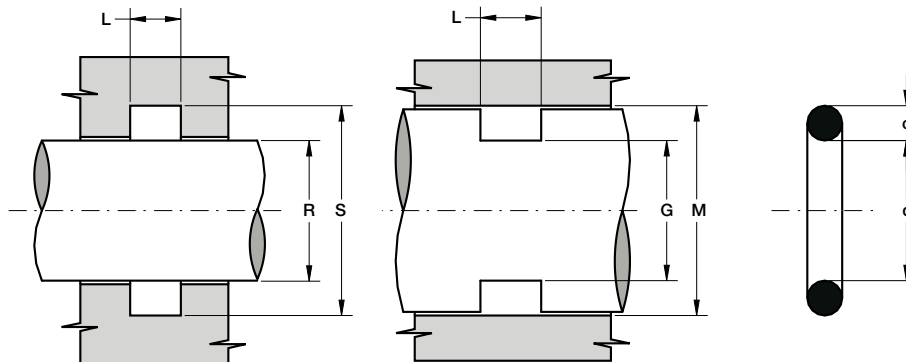
Cod. AS *	Cod. GB	d	c		L ^{+0.2}	R ^{f7}	S ^{H9}	G ^{h9}	M ^{H8}
OR 004	2007	1.78	1.78		2.5	2	5.1	1.9	5
OR 005	2010	2.57	1.78		2.5	2.5	5.6	2.9	6
OR 006	2012	2.90	1.78		2.5	3	6.1	2.9	6
OR 007	2015	3.68	1.78		2.5	4	7.1	3.9	7
OR 008	2018	4.47	1.78		2.5	4.5	7.6	4.9	8
OR 009	2021	5.28	1.78		2.5	5	8.1	5.9	9
OR 010	2025	6.07	1.78		2.5	6	9.1	6.9	10
OR 610	106	6.75	1.78		2.5	7	10.1	6.9	10
OR 011	2031	7.65	1.78		2.5	8	11.1	7.9	11
OR 611	108	8.73	1.78		2.5	9	12.1	8.9	12
OR 012	2037	9.25	1.78		2.5	9	12.1	9.9	13
OR 013	2043	10.82	1.78		2.5	11	14.1	10.9	14
OR 806	114	11.11	1.78		2.5	11	14.1	11.9	15
OR 014	2050	12.42	1.78		2.5	13	16.1	12.9	16
OR 015	2056	14.00	1.78		2.5	14	17.1	14.9	18
OR 016	2062	15.60	1.78		2.5	16	19.1	15.9	19
OR 017	2068	17.17	1.78		2.5	17	20.1	17.9	21
OR 018	2075	18.77	1.78		2.5	19	22.1	18.9	22
OR 019	2081	20.35	1.78		2.5	21	24.1	20.9	24
OR 020	2087	21.95	1.78		2.5	22	25.1	22.9	26
OR 021	2093	23.52	1.78		2.5	24	27.1	23.9	27
OR 022	2100	25.12	1.78		2.5	25	28.1	25.9	29
OR 023	2106	26.70	1.78		2.5	27	30.1	26.9	30
OR 024	2112	28.30	1.78		2.5	28	31.1	28.9	32
OR 025	2118	29.87	1.78		2.5	30	33.1	29.9	33
OR 026	2125	31.47	1.78		2.5	32	35.1	31.9	35
OR 027	2131	33.05	1.78		2.5	33	36.1	33.9	37



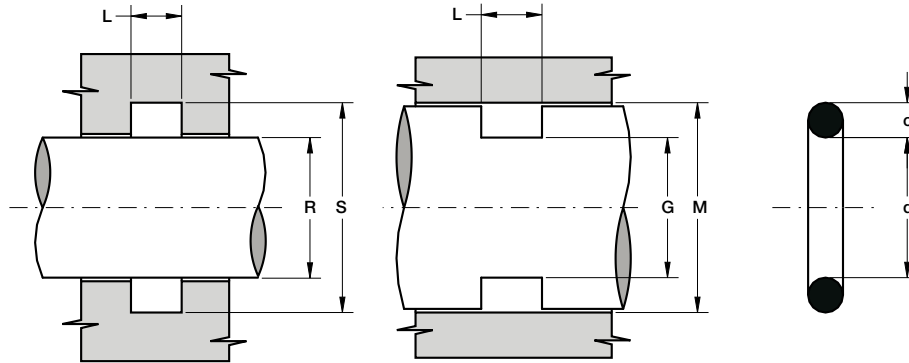
Cod. AS *	Cod. GB	d	c		L ^{+0.2}	R ^{f7}	S ^{H9}	G ^{h9}	M ^{H8}
OR 028	2137	34.65	1.78		2.5	35	38.1	34.9	38
OR 029	2150	37.82	1.78		2.5	38	41.1	37.9	41
OR 030	2162	41.00	1.78		2.5	41	44.1	41.9	45
OR 031	2175	44.17	1.78		2.5	44	47.1	44.9	48
OR 032	2187	47.35	1.78		2.5	48	51.1	47.9	51
OR 033	2200	50.52	1.78		2.5	50	53.1	50.9	54
OR 034	2212	53.70	1.78		2.5	54	57.1	54.9	58
OR 035	2225	56.87	1.78		2.5	57	60.1	57.9	61
OR 036	2237	60.05	1.78		2.5	60	63.1	60.9	64
OR 037	2250	63.22	1.78		2.5	63	66.1	63.9	67
OR 038	2262	66.40	1.78		2.5	66	69.1	66.9	70
OR 039	2275	69.57	1.78		2.5	70	73.1	70.9	74
OR 040	2287	72.75	1.78		2.5	73	76.1	73.9	77
OR 041	2300	75.92	1.78		2.5	76	79.1	76.9	80
OR 042	2325	82.27	1.78		2.5	82	85.1	82.9	86
OR 043	2350	88.62	1.78		2.5	89	92.1	88.9	92
OR 044	2375	94.97	1.78		2.5	95	98.1	95.9	99
OR 045	2400	101.32	1.78		2.5	101	104.1	101.9	105
OR 046	2425	107.67	1.78		2.5	108	111.1	108.9	112
OR 047	2450	114.02	1.78		2.5	114	117.1	114.9	118
OR 048	2475	120.37	1.78		2.5	120	123.1	120.9	124
OR 049	2500	126.72	1.78		2.5	125	128.1	125.9	129
OR 050	2525	133.07	1.78		2.5	133	136.1	133.9	137
OR 107	-	5.23	2.62		3.5	5.5	10	6	10.5
OR 108	-	6.02	2.62		3.5	6	10.5	6.5	11
OR 109	-	7.60	2.62		3.5	8	12.5	8.5	13



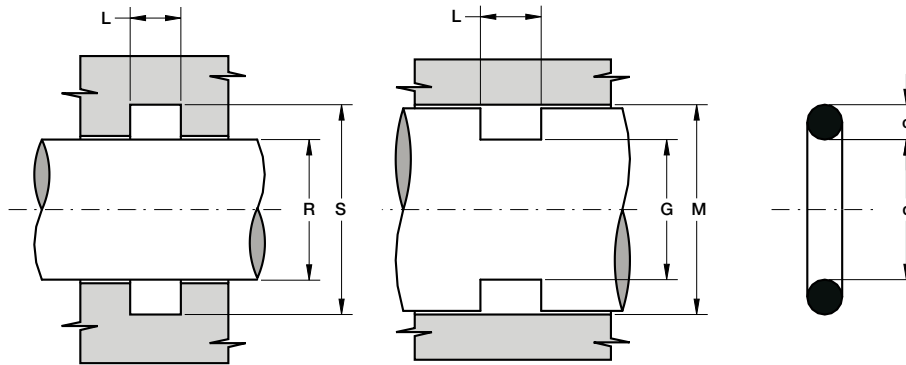
Cod. AS *	Cod. GB	d	c		L ^{+0.2}	R ^{f7}	S ^{H9}	G ^{h9}	M ^{H8}
OR 110	3037	9.19	2.62		3.5	9	13.5	10.5	15
OR 613	112	9.92	2.62		3.5	10	14.5	10.5	15
OR 111	3043	10.77	2.62		3.5	11	15.5	11.5	16
OR 614	115	11.91	2.62		3.5	12	16.5	12.5	17
OR 112	3050	12.37	2.62		3.5	12.5	17	13.5	18
OR 615	117	13.10	2.62		3.5	13	17.5	13.5	18
OR 113	3056	13.94	2.62		3.5	14	18.5	14.5	19
OR 616	119	15.08	2.62		3.5	15	19.5	15.5	20
OR 114	3062	15.54	2.62		3.5	15.5	20	16.5	21
OR 809	121	15.88	2.62		3.5	16	20.5	16.5	21
OR 115	3068	17.12	2.62		3.5	17	21.5	17.5	22
OR 617	123	17.86	2.62		3.5	18	22.5	18.5	23
OR 116	3075	18.72	2.62		3.5	19	23.5	19.5	24
OR 117	3081	20.29	2.62		3.5	20	24.5	20.5	25
OR 812	128	20.63	2.62		3.5	21	25.5	21.5	26
OR 118	3087	21.89	2.62		3.5	22	26.5	22.5	27
OR 813	130	22.22	2.62		3.5	22	26.5	22.5	27
OR 119	3093	23.47	2.62		3.5	24	28.5	24.5	29
OR 814	132	23.81	2.62		3.5	24	28.5	24.5	29
OR 120	3100	25.07	2.62		3.5	25	29.5	25.5	30
OR 121	3106	26.64	2.62		3.5	28	32.5	27.5	32
OR 122	3112	28.24	2.62		3.5	28	32.5	28.5	33
OR 123	3118	29.82	2.62		3.5	30	34.5	30.5	35
OR 124	3125	31.42	2.62		3.5	32	36.5	32.5	37
OR 125	3131	32.99	2.62		3.5	33	37.5	33.5	38
OR 126	3137	34.60	2.62		3.5	35	39.5	35.5	40
OR 127	3143	36.14	2.62		3.5	36	40.5	36.5	41



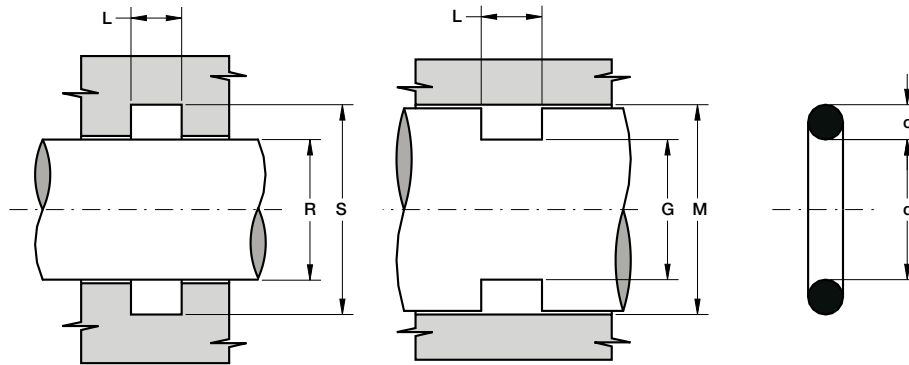
Cod. AS *	Cod. GB	d	c		L ^{+0.2}	R ^{f7}	S ^{H9}	G ^{h9}	M ^{H8}
OR 128	3150	37.77	2.62		3.5	38	42.5	38.5	43
OR 129	3156	39.34	2.62		3.5	40	44.5	40.5	45
OR 130	3162	40.95	2.62		3.5	41	45.5	41.5	46
OR 131	3168	42.52	2.62		3.5	43	47.5	43.5	48
OR 132	3175	44.12	2.62		3.5	44	48.5	44.5	49
OR 133	3181	45.69	2.62		3.5	46	50.5	46.5	51
OR 134	3187	47.30	2.62		3.5	48	52.5	48.5	53
OR 135	3193	48.90	2.62		3.5	49	53.5	49.5	54
OR 136	3200	50.47	2.62		3.5	51	55.5	51.5	56
OR 137	3206	52.07	2.62		3.5	52	56.5	52.5	57
OR 138	3212	53.65	2.62		3.5	54	58.5	54.5	59
OR 139	3218	55.25	2.62		3.5	55	59.5	56.5	61
OR 140	3225	56.82	2.62		3.5	57	61.5	57.5	62
OR 141	3231	58.42	2.62		3.5	59	63.5	59.5	64
OR 142	3237	60.00	2.62		3.5	60	64.5	60.5	65
OR 143	3243	61.60	2.62		3.5	62	66.5	62.5	67
OR 144	3250	63.17	2.62		3.5	63	67.5	63.5	68
OR 145	3256	64.77	2.62		3.5	65	69.5	65.5	70
OR 146	3262	66.35	2.62		3.5	67	71.5	67.5	72
OR 147	3268	67.95	2.62		3.5	68	72.5	68.5	73
OR 148	3275	69.52	2.62		3.5	70	74.5	70.5	75
OR 149	3281	71.12	2.62		3.5	71	75.5	71.5	76
OR 150	3287	72.69	2.62		3.5	73	77.5	73.5	78
OR 151	3300	75.87	2.62		3.5	76	80.5	77.5	82
OR 152	3325	82.22	2.62		3.5	82	86.5	83.5	88
OR 153	3350	88.57	2.62		3.5	89	93.5	89.5	94
OR 154	3375	94.92	2.62		3.5	95	99.5	96.5	101



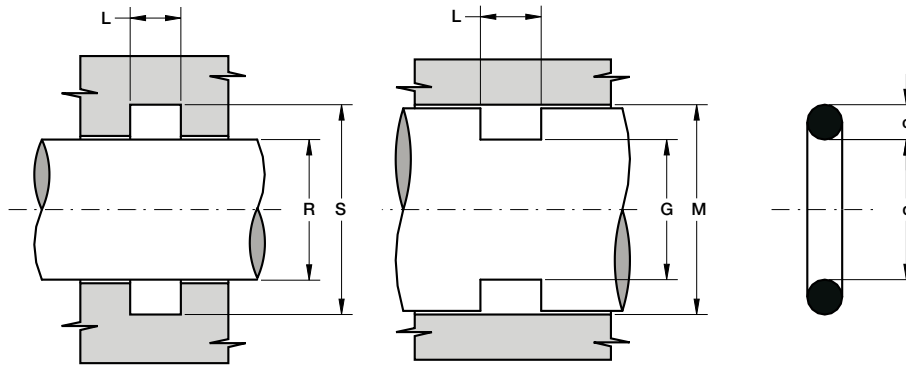
Cod. AS *	Cod. GB	d	c		L ^{+0.2}	R ^{f7}	S ^{H9}	G ^{H9}	M ^{H8}
OR 155	3400	101.27	2.62		3.5	101	105.5	102.5	107
OR 156	3425	107.62	2.62		3.5	108	112.5	108.5	113
OR 157	3450	113.97	2.62		3.5	114	118.5	115.5	120
OR 158	3475	120.33	2.62		3.5	120	124.5	121.5	126
OR 159	3500	126.67	2.62		3.5	127	131.5	127.5	132
OR 160	3525	133.00	2.62		3.5	133	137.5	133.5	138
OR 161	3550	139.38	2.62		3.5	139	143.5	140.5	145
OR 162	3575	145.72	2.62		3.5	146	150.5	146.5	151
OR 163	3600	152.07	2.62		3.5	152	156.5	153.5	158
OR 164	3625	158.43	2.62		3.5	158	162.5	159.5	164
OR 165	3650	164.78	2.62		3.5	165	169.5	165.5	170
OR 166	3675	171.13	2.62		3.5	171	175.5	172.5	177
OR 167	3700	177.48	2.62		3.5	178	182.5	178.5	183
OR 168	3725	183.83	2.62		3.5	184	188.5	185.5	190
OR 169	3750	190.18	2.62		3.5	190	194.5	191.5	196
OR 170	3775	196.53	2.62		3.5	197	201.5	197.5	202
OR 171	3800	202.88	2.62		3.5	203	207.5	204.5	209
OR 172	3825	209.23	2.62		3.5	210	214.5	210.5	215
OR 173	3850	215.58	2.62		3.5	215	219.5	215.5	220
OR 174	3875	221.93	2.62		3.5	222	226.5	223.5	228
OR 175	3900	228.28	2.62		3.5	228	232.5	229.5	234
OR 204	4036	9.12	3.53		4.5	10	16.2	10.8	17
OR 205	4042	10.69	3.53		4.5	11	17.2	11.8	18
OR 206	4050	12.29	3.53		4.5	13	19.2	13.8	20
OR 207	4055	13.87	3.53		4.5	14	20.2	14.8	21
OR 208	4061	15.47	3.53		4.5	16	22.2	16.8	23



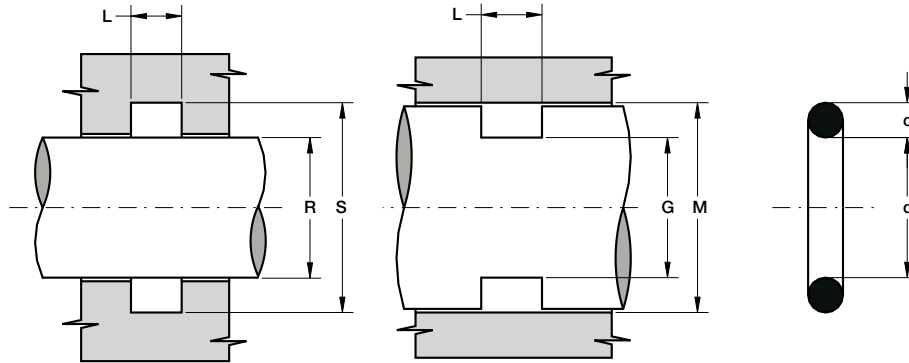
Cod. AS *	Cod. GB	d	c		L ^{+0.2}	R ^{f7}	S ^{H9}	G ^{h9}	M ^{H8}
OR 209	4067	17.04	3.53		4.5	17	23.2	18.8	25
OR 210	4075	18.64	3.53		4.5	19	25.2	19.8	26
OR 211	4081	20.22	3.53		4.5	20	26.2	21.8	28
OR 212	4087	21.82	3.53		4.5	22	28.2	22.8	29
OR 213	4093	23.40	3.53		4.5	23	29.2	23.8	30
OR 214	4100	24.99	3.53		4.5	25	31.2	25.8	32
OR 618	134	25.80	3.53		4.5	26	32.2	26.8	33
OR 215	4106	26.58	3.53		4.5	27	33.2	27.8	34
OR 216	4112	28.17	3.53		4.5	28	34.2	28.8	35
OR 217	4118	29.75	3.53		4.5	30	36.2	30.8	37
OR 218	4125	31.34	3.53		4.5	31	37.2	31.8	38
OR 219	4131	32.92	3.53		4.5	33	39.2	33.8	40
OR 220	4137	34.52	3.53		4.5	35	41.2	35.8	42
OR 221	4143	36.09	3.53		4.5	36	42.2	36.8	43
OR 222	4150	37.69	3.53		4.5	38	44.2	38.8	45
OR 824	144	39.69	3.53		4.5	40	46.2	39.8	46
OR 223	4162	40.87	3.53		4.5	42	48.2	41.8	48
OR 825	146	41.28	3.53		4.5	42	48.2	41.8	48
OR 826	147	42.86	3.53		4.5	43	49.2	43.8	50
OR 224	4175	44.04	3.53		4.5	45	51.2	44.8	51
OR 827	149	44.45	3.53		4.5	45	51.2	44.8	51
OR 828	150	46.04	3.53		4.5	46	52.2	46.8	53
OR 225	4187	47.22	3.53		4.5	48	54.2	47.8	54
OR 829	152	47.63	3.53		4.5	48	54.2	47.8	54
OR 830	153	49.21	3.53		4.5	49	55.2	49.8	56
OR 226	4200	50.39	3.53		4.5	51	57.2	51.8	58
OR 831	155	50.80	3.53		4.5	51	57.2	51.8	58



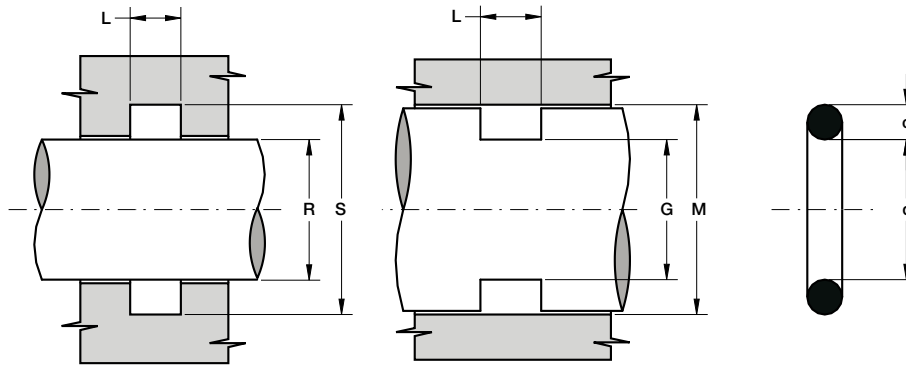
Cod. AS *	Cod. GB	d	c		L ^{+0.2}	R ^{f7}	S ^{H9}	G ^{h9}	M ^{H8}
OR 832	156	52.39	3.53		4.5	52	58.2	53.8	60
OR 227	4212	53.57	3.53		4.5	54	60.2	54.8	61
OR 833	158	53.98	3.53		4.5	54	60.2	54.8	61
OR 834	159	55.56	3.53		4.5	56	62.2	55.8	62
OR 228	4225	56.74	3.53		4.5	57	63.2	57.8	64
OR 835	161	57.15	3.53		4.5	57	63.2	57.8	64
OR 836	162	58.74	3.53		4.5	59	65.2	58.8	65
OR 229	4237	59.92	3.53		4.5	60	66.2	60.8	67
OR 837	164	60.33	3.53		4.5	60	66.2	60.8	67
OR 838	165	61.91	3.53		4.5	62	68.2	62.8	69
OR 230	4250	63.09	3.53		4.5	64	70.2	63.8	70
OR 839	167	63.50	3.53		4.5	64	70.2	63.8	70
OR 840	168	65.09	3.53		4.5	65	71.2	65.8	72
OR 231	4262	66.27	3.53		4.5	67	73.2	66.8	73
OR 841	170	66.68	3.53		4.5	67	73.2	66.8	73
OR 842	171	68.26	3.53		4.5	68	74.2	68.8	75
OR 232	4275	69.44	3.53		4.5	70	76.2	70.8	77
OR 843	173	69.85	3.53		4.5	70	76.2	70.8	77
OR 844	174	71.44	3.53		4.5	72	78.2	71.8	78
OR 233	4287	72.62	3.53		4.5	73	79.2	73.8	80
OR 845	176	73.03	3.53		4.5	73	79.2	73.8	80
OR 846	177	74.61	3.53		4.5	75	81.2	74.8	81
OR 234	4300	75.79	3.53		4.5	76	82.2	76.8	83
OR 235	4312	78.97	3.53		4.5	79	85.2	79.8	86
OR 236	4325	82.14	3.53		4.5	82	88.2	82.8	89
OR 237	4337	85.32	3.53		4.5	85	91.2	85.8	92
OR 238	4350	88.49	3.53		4.5	89	95.2	88.8	95



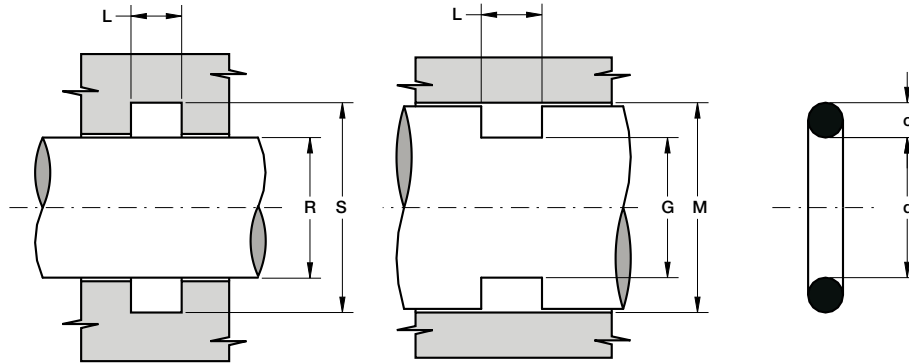
Cod. AS *	Cod. GB	d	c		L ^{+0.2}	R ^{f7}	S ^{H9}	G ^{h9}	M ^{H8}
OR 239	4362	91.67	3.53		4.5	92	98.2	92.8	99
OR 240	4375	94.84	3.53		4.5	95	101.2	95.8	102
OR 241	4387	98.02	3.53		4.5	98	104.2	98.8	105
OR 242	4400	101.19	3.53		4.5	101	107.2	101.8	108
OR 243	4412	104.37	3.53		4.5	105	111.2	104.8	111
OR 244	4425	107.54	3.53		4.5	108	114.2	107.8	114
OR 245	4437	110.72	3.53		4.5	111	117.2	111.8	118
OR 246	4450	113.89	3.53		4.5	114	120.2	114.8	121
OR 247	4462	117.07	3.53		4.5	117	123.2	117.8	124
OR 248	4475	120.24	3.53		4.5	120	126.2	120.8	127
OR 249	4487	123.42	3.53		4.5	123	129.2	123.8	130
OR 250	4500	126.59	3.53		4.5	127	133.2	126.8	133
OR 251	4512	129.77	3.53		4.5	130	136.2	129.8	136
OR 252	4525	132.94	3.53		4.5	133	139.2	133.8	140
OR 253	4537	136.12	3.53		4.5	136	142.2	136.8	143
OR 254	4550	139.29	3.53		4.5	140	146.2	139.8	146
OR 255	4562	142.47	3.53		4.5	143	149.2	142.8	149
OR 256	4575	145.64	3.53		4.5	146	152.2	145.8	152
OR 257	4587	148.82	3.53		4.5	149	155.2	148.8	155
OR 258	4600	151.99	3.53		4.5	152	158.2	152.8	159
OR 259	4625	158.34	3.53		4.5	159	165.2	158.8	165
OR 260	4650	164.69	3.53		4.5	165	171.2	165.8	172
OR 261	4675	171.04	3.53		4.5	172	178.2	171.8	178
OR 262	4700	177.39	3.53		4.5	178	184.2	177.8	184
OR 263	4725	183.74	3.53		4.5	184	190.2	183.8	190
OR 264	4750	190.09	3.53		4.5	190	196.2	190.8	197
OR 265	4775	196.44	3.53		4.5	197	203.2	196.8	203



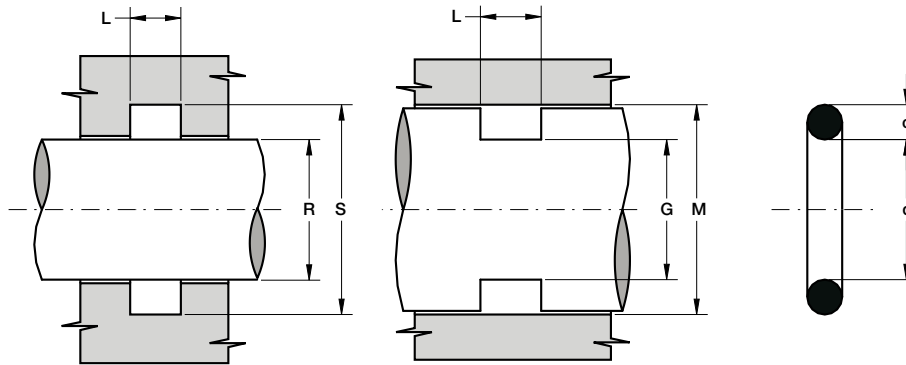
Cod. AS *	Cod. GB	d	c		L ^{+0.2}	R ^{f7}	S ^{H9}	G ^{H9}	M ^{H8}
OR 266	4800	202.79	3.53		4.5	203	209.2	203.8	210
OR 267	4825	209.14	3.53		4.5	210	216.2	209.8	216
OR 268	4850	215.49	3.53		4.5	216	222.2	215.8	222
OR 269	4875	221.84	3.53		4.5	222	228.2	221.8	228
OR 270	4900	228.19	3.53		4.5	229	235.2	228.8	235
OR 271	4925	234.54	3.53		4.5	235	241.2	234.8	241
OR 272	4950	240.89	3.53		4.5	241	247.2	241.8	248
OR 273	4975	247.24	3.53		4.5	248	254.2	247.8	254
OR 274	41000	253.59	3.53		4.5	254	260.2	253.8	260
OR 275	41050	266.29	3.53		4.5	267	273.2	267.8	274
OR 276	41100	278.99	3.53		4.5	280	286.2	280.8	287
OR 277	41150	291.69	3.53		4.5	292	298.2	293.8	300
OR 278	41200	304.39	3.53		4.5	305	311.2	305.8	312
OR 279	41300	329.79	3.53		4.5	330	336.2	331.8	338
OR 280	41400	355.19	3.53		4.5	355	361.2	356.8	363
OR 281	41500	380.59	3.53		4.5	381	387.2	382.8	389
OR 282	41600	405.26	3.53		4.5	406	412.2	406.8	413
OR 283	41700	430.66	3.53		4.5	431	437.2	431.8	438
OR 309	-	10.47	5.34		7	11	20.4	12.6	22
OR 310	-	12.07	5.34		7	12	21.4	13.6	23
OR 311	-	13.64	5.34		7	14	23.4	15.6	25
OR 312	-	15.24	5.34		7	16	25.4	16.6	26
OR 313	-	16.82	5.34		7	17	26.4	18.6	28
OR 314	-	18.42	5.34		7	19	28.4	20.6	30
OR 315	-	19.99	5.34		7	20	29.4	21.6	31
OR 316	-	21.99	5.34		7	22	31.4	23.6	33



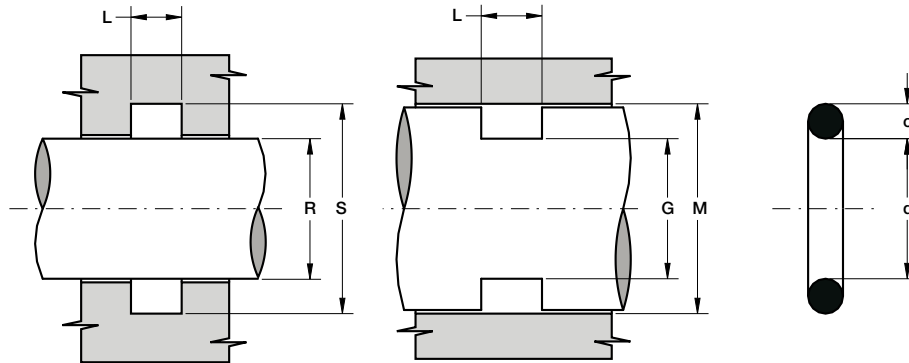
Cod. AS *	Cod. GB	d	c		L ^{+0.2}	R ^{f7}	S ^{H9}	G ^{h9}	M ^{H8}
OR 317	-	23.17	5.34		7	24	33.4	24.6	34
OR 318	-	24.77	5.34		7	26	35.4	26.6	36
OR 319	-	26.34	5.34		7	27	36.4	27.6	37
OR 320	-	27.97	5.34		7	28	37.4	29.6	39
OR 321	-	29.52	5.34		7	30	39.4	31.6	41
OR 322	-	31.12	5.34		7	31	40.4	32.6	42
OR 323	-	32.69	5.34		7	33	42.4	34.6	44
OR 324	-	34.29	5.34		7	35	44.4	35.6	45
OR 325	6150	37.47	5.34		7	38	47.4	38.6	48
OR 326	6162	40.65	5.34		7	41	50.4	42.6	52
OR 327	6175	43.82	5.34		7	44	53.4	45.6	55
OR 328	6187	47.00	5.34		7	47	56.4	48.6	58
OR 329	6200	50.16	5.34		7	50	59.4	51.6	61
OR 330	6212	53.34	5.34		7	53	62.4	54.6	64
OR 331	6225	56.52	5.34		7	57	66.4	58.6	68
OR 332	6237	59.69	5.34		7	60	69.4	60.6	70
OR 333	6250	62.87	5.34		7	63	72.4	63.6	73
OR 334	6262	66.04	5.34		7	66	75.4	67.6	77
OR 335	6275	69.22	5.34		7	69	78.4	70.6	80
OR 336	6287	72.39	5.34		7	73	82.4	73.6	83
OR 619	178	74.63	5.34		7	75	84.4	75.6	85
OR 337	6300	75.57	5.34		7	76	85.4	76.6	86
OR 338	6312	78.74	5.34		7	79	88.4	80.6	90
OR 620	181	79.77	5.34		7	80	89.4	80.6	90
OR 339	6325	81.92	5.34		7	82	91.4	82.6	92
OR 340	6337	85.09	5.34		7	85	94.4	85.6	95
OR 341	6350	88.27	5.34		7	88	97.4	88.6	98



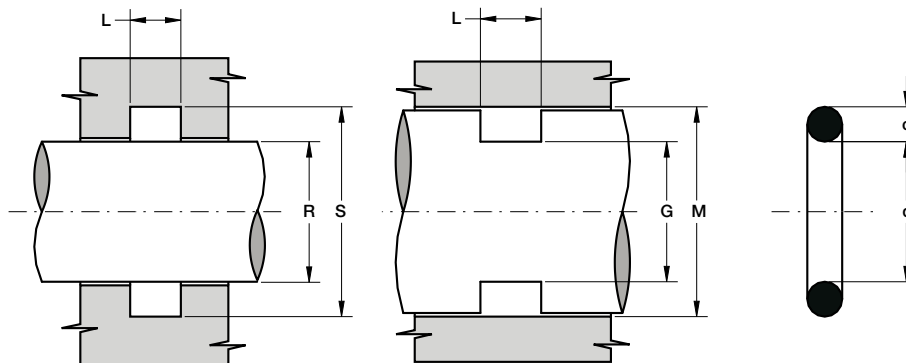
Cod. AS *	Cod. GB	d	c		L ^{+0.2}	R ^{f7}	S ^{H9}	G ^{H9}	M ^{H8}
OR 621	185	89.69	5.34		7	90	99.4	90.6	100
OR 342	6362	91.44	5.34		7	92	101.4	92.6	102
OR 343	6375	94.62	5.34		7	95	104.4	95.6	105
OR 344	6387	97.79	5.34		7	98	107.4	98.6	108
OR 622	189	100.00	5.34		7	100	109.4	100.6	110
OR 345	6400	100.97	5.34		7	101	110.4	101.6	111
OR 346	6412	104.14	5.34		7	104	113.4	105.6	115
OR 347	6425	107.32	5.34		7	107	116.4	108.6	118
OR 623	193	109.50	5.34		7	110	119.4	110.6	120
OR 348	6437	110.50	5.34		7	111	120.4	111.6	121
OR 349	6450	113.67	5.34		7	114	123.4	115.6	125
OR 350	-	116.84	5.34		7	117	126.4	118.6	128
OR 860	199	117.50	5.34		7	118	127.4	118.6	128
OR 351	-	120.02	5.34		7	121	130.4	122.6	132
OR 861	201	120.70	5.34		7	121	130.4	122.6	132
OR 352	-	123.20	5.34		7	124	133.4	123.6	133
OR 862	203	123.80	5.34		7	124	133.4	125.6	135
OR 353	-	126.37	5.34		7	127	136.4	127.6	137
OR 863	206	127.00	5.34		7	127	136.4	127.6	137
OR 354	-	129.54	5.34		7	130	139.4	130.6	140
OR 864	208	130.20	5.34		7	130	139.4	130.6	140
OR 355	-	132.72	5.34		7	133	142.4	133.6	143
OR 865	210	133.40	5.34		7	134	143.4	135.6	145
OR 356	-	135.90	5.34		7	137	146.4	137.6	147
OR 866	213	136.50	5.34		7	137	146.4	137.6	147
OR 357	-	139.07	5.34		7	140	149.4	140.6	150
OR 867	215	139.70	5.34		7	140	149.4	140.6	150



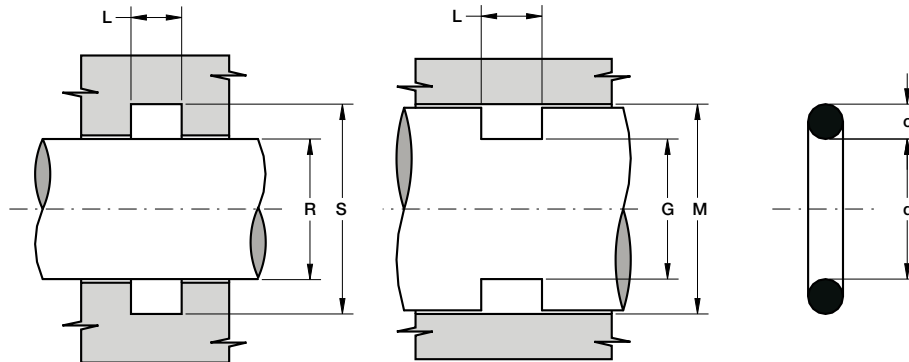
Cod. AS *	Cod. GB	d	c		L ^{+0.2}	R ^{f7}	S ^{H9}	G ^{h9}	M ^{H8}
OR 358	-	142.24	5.34		7	143	152.4	143.6	153
OR 868	217	142.90	5.34		7	143	152.4	143.6	153
OR 359	-	145.42	5.34		7	146	155.4	146.6	156
OR 869	219	146.10	5.34		7	146	155.4	146.6	156
OR 360	-	148.60	5.34		7	150	159.4	150.6	160
OR 870	221	149.20	5.34		7	150	159.4	150.6	160
OR 361	6600	151.77	5.34		7	152	161.4	153.6	163
OR 362	6625	158.12	5.34		7	158	167.4	159.6	169
OR 363	6645	164.47	5.34		7	165	174.4	165.6	175
OR 364	6670	170.82	5.34		7	171	180.4	172.6	182
OR 365	6700	177.17	5.34		7	178	187.4	178.6	188
OR 366	6720	183.52	5.34		7	184	193.4	185.6	195
OR 367	6745	189.87	5.34		7	190	199.4	190.6	200
OR 368	6775	196.22	5.34		7	196	205.4	197.6	207
OR 369	6795	202.57	5.34		7	202	211.4	203.6	213
OR 370	6820	208.92	5.34		7	209	218.4	210.6	220
OR 371	6850	215.27	5.34		7	215	224.4	216.6	226
OR 372	6870	221.62	5.34		7	222	231.4	222.6	232
OR 373	6895	227.97	5.34		7	228	237.4	229.6	239
OR 374	6920	234.32	5.34		7	234	243.4	235.6	245
OR 375	6945	240.67	5.34		7	241	250.4	242.6	252
OR 376	6975	247.02	5.34		7	247	256.4	248.6	258
OR 377	6995	253.37	5.34		7	253	262.4	255.6	265
OR 378	61050	266.07	5.34		7	266	275.4	267.6	277
OR 379	61100	278.77	5.34		7	280	289.4	280.6	290
OR 380	61150	291.47	5.34		7	292	301.4	293.6	303
OR 381	61200	304.17	5.34		7	304	313.4	305.6	315



Cod. AS *	Cod. GB	d	c		L ^{+0.2}	R ^{f7}	S ^{H9}	G ^{H9}	M ^{H8}
OR 382	61300	329.57	5.34		7	330	339.4	330.6	340
OR 383	61400	354.97	5.34		7	355	364.4	355.6	365
OR 384	61500	380.37	5.34		7	380	389.4	382.6	392
OR 385	61600	405.26	5.34		7	405	414.4	406.6	416
OR 386	61700	430.66	5.34		7	431	440.4	432.6	442
OR 387	61800	456.06	5.34		7	456	465.4	458.6	468
OR 388	61900	481.40	5.34		7	482	491.4	484.6	494
OR 389	62000	506.80	5.34		7	507	516.4	509.6	519
OR 390	62100	532.20	5.34		7	532	541.4	534.6	544
OR 391	-	557.60	5.34		7	558	567.4	560.6	570
OR 392	-	582.68	5.34		7	585	594.4	585.6	595
OR 393	-	608.08	5.34		7	610	619.4	610.6	620
OR 394	-	633.48	5.34		7	635	644.4	635.6	645
OR 395	-	658.88	5.34		7	660	669.4	660.6	670
OR 425	8450	113.67	6.99		9.5	114	126.2	114.8	127
OR 624	197	114.70	6.99		9.5	115	127.2	115.8	128
OR 426	8462	116.84	6.99		9.5	117	129.2	117.8	130
OR 427	8475	120.02	6.99		9.5	120	132.2	122.8	135
OR 428	8487	123.20	6.99		9.5	123	135.2	124.8	137
OR 625	204	124.60	6.99		9.5	125	137.2	125.8	138
OR 429	8500	126.37	6.99		9.5	126	138.2	127.8	140
OR 430	8512	129.54	6.99		9.5	130	142.2	130.8	143
OR 431	8525	132.72	6.99		9.5	133	145.2	133.8	146
OR 626	211	134.50	6.99		9.5	135	147.2	135.8	148
OR 432	8537	135.90	6.99		9.5	136	148.2	137.8	150
OR 433	8550	139.07	6.99		9.5	139	151.2	140.8	153
OR 434	8562	142.24	6.99		9.5	142	154.2	143.8	156
OR 435	8575	145.42	6.99		9.5	145	157.2	147.8	160

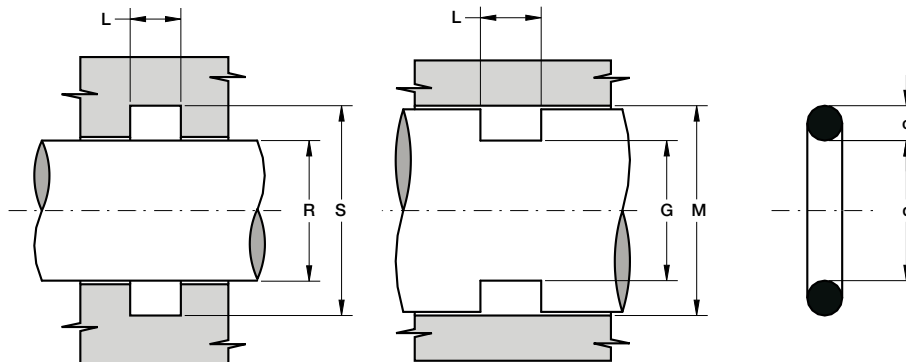


Cod. AS *	Cod. GB	d	c		L ^{+0.2}	R ^{r7}	S ^{H9}	G ^{h9}	M ^{H8}
OR 436	8587	148.60	6.99		9.5	149	161.2	149.8	162
OR 437	8600	151.77	6.99		9.5	152	164.2	152.8	165
OR 872	223	155.60	6.99		9.5	156	168.2	157.8	170
OR 438	8625	158.12	6.99		9.5	158	170.2	159.8	172
OR 627	225	159.50	6.99		9.5	160	172.2	160.8	173
OR 874	226	161.90	6.99		9.5	162	174.2	162.8	175
OR 439	8650	164.47	6.99		9.5	165	177.2	165.8	178
OR 628	228	166.70	6.99		9.5	167	179.2	167.8	180
OR 876	229	168.30	6.99		9.5	168	180.2	169.8	182
OR 440	8675	170.82	6.99		9.5	170	182.2	171.8	184
OR 878	231	174.60	6.99		9.5	175	187.2	175.8	188
OR 441	8700	177.17	6.99		9.5	178	190.2	178.8	191
OR 880	233	181.00	6.99		9.5	180	192.2	182.8	195
OR 442	8725	183.52	6.99		9.5	184	196.2	184.8	197
OR 882	235	187.30	6.99		9.5	188	200.2	187.8	200
OR 443	8750	189.87	6.99		9.5	190	202.2	190.8	203
OR 884	237	193.70	6.99		9.5	194	206.2	194.8	207
OR 444	8775	196.22	6.99		9.5	196	208.2	197.8	210
OR 886	239	200.00	6.99		9.5	200	212.2	201.8	214
OR 445	8800	202.57	6.99		9.5	203	215.2	203.8	216
OR 674	8825	208.92	6.99		9.5	210	222.2	209.8	222
OR 446	8850	215.27	6.99		9.5	215	227.2	217.8	230
OR 676	8875	221.62	6.99		9.5	222	234.2	222.8	235
OR 447	8900	227.97	6.99		9.5	230	242.2	229.8	242
OR 678	8925	234.32	6.99		9.5	235	247.2	237.8	250
OR 448	8950	240.67	6.99		9.5	240	252.2	242.8	255
OR 680	8975	247.00	6.99		9.5	248	260.2	247.8	260
OR 449	81000	253.30	6.99		9.5	255	267.2	257.8	270
OR 682	81025	259.70	6.99		9.5	260	272.2	262.8	275



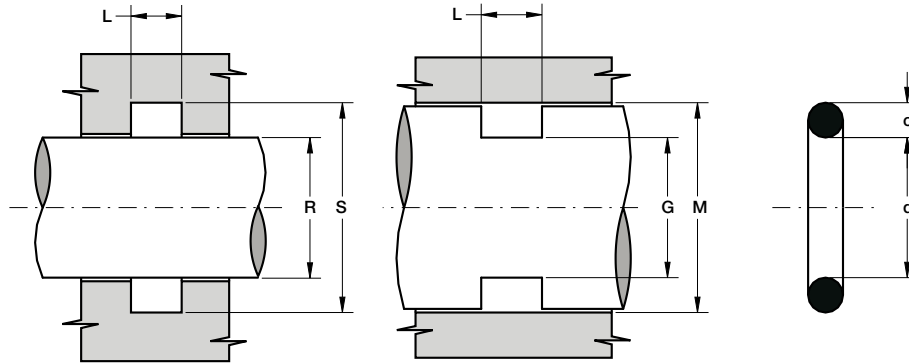
Cod. AS *	Cod. GB	d	c		L ^{+0.2}	R ^{f7}	S ^{H9}	G ^{H9}	M ^{H8}
OR 450	81050	266.07	6.99		9.5	265	277.2	267.8	280
OR 684	81075	272.40	6.99		9.5	273	285.2	273.8	286
OR 451	81100	278.77	6.99		9.5	280	292.2	282.8	295
OR 686	81125	285.10	6.99		9.5	285	297.2	287.8	300
OR 452	81150	291.47	6.99		9.5	292	304.2	292.8	305
OR 688	81175	297.80	6.99		9.5	300	312.2	302.8	315
OR 453	81200	304.17	6.99		9.5	305	317.2	307.8	320
OR 454	81250	316.87	6.99		9.5	318	330.2	317.8	330
OR 455	81300	329.57	6.99		9.5	330	342.2	332.8	345
OR 456	81350	342.27	6.99		9.5	342	354.2	342.8	355
OR 457	81400	354.97	6.99		9.5	355	367.2	357.8	370
OR 458	81450	367.67	6.99		9.5	370	382.2	367.8	380
OR 459	81500	380.37	6.99		9.5	380	392.2	382.8	395
OR 460	81550	393.07	6.99		9.5	393	405.2	397.8	410
OR 461	81600	405.26	6.99		9.5	405	417.2	407.8	420
OR 462	81650	417.96	6.99		9.5	418	430.2	419.8	432
OR 463	81700	430.66	6.99		9.5	431	443.2	432.8	445
OR 464	81750	443.36	6.99		9.5	445	457.2	447.8	460
OR 465	81800	456.06	6.99		9.5	458	470.2	457.8	470
OR 466	81850	468.76	6.99		9.5	470	482.2	467.8	480
OR 467	81900	481.46	6.99		9.5	483	495.2	482.8	495
OR 468	81950	494.16	6.99		9.5	495	507.2	497.8	510
OR 469	82000	506.86	6.99		9.5	508	520.2	507.8	520
OR 470	82100	532.26	6.99		9.5	535	547.2	532.8	545
OR 471	82200	557.66	6.99		9.5	560	572.2	557.8	570
OR 472	82300	582.68	6.99		9.5	580	592.2	587.8	600

* according to AS 568 A regulation



Cod. AS	d	c	L ^{+0.2}	R ^{f7}	S ^{H9}	G ^{h9}	M ^{H8}
OR 1,15X1	1.15	1	1.4	1	2.4	1.8	3.2
OR 1,5X1	1.5	1	1.4	1.5	2.9	2.1	3.5
OR 1,8X1	1.8	1	1.4	1.8	3.2	2.4	3.8
OR 2X1	2	1	1.4	2	3.4	2.6	4
OR 2,5X1	2.5	1	1.4	2.5	3.9	3.1	4.5
OR 3X1	3	1	1.4	3	4.4	3.6	5
OR 3,5X1	3.5	1	1.4	3.5	4.9	4.1	5.5
OR 4X1	4	1	1.4	4	5.4	4.6	6
OR 4,5X1	4.5	1	1.4	4.5	5.9	5.1	6.5
OR 5X1	5	1	1.4	5	6.4	5.6	7
OR 5,5X1	5.5	1	1.4	5.5	6.9	6.1	7.5
OR 6X1	6	1	1.4	6	7.4	6.6	8
OR 6,5X1	6.5	1	1.4	6.5	7.9	7.1	8.5
OR 7X1	7	1	1.4	7	8.4	7.6	9
OR 7,5X1	7.5	1	1.4	7.5	8.9	8.1	9.5
OR 8X1	8	1	1.4	8	9.4	8.6	10
OR 8,5X1	8.5	1	1.4	8.5	9.9	9.1	10.5
OR 9X1	9	1	1.4	9	10.4	9.6	11
OR 9,5X1	9.5	1	1.4	9.5	10.9	10.1	11.5
OR 10X1	10	1	1.4	10	11.4	10.6	12
OR 10,5X1	10.5	1	1.4	10	11.4	11.1	12.5
OR 11X1	11	1	1.4	11	12.4	11.6	13
OR 11,5X1	11.5	1	1.4	11	12.4	12.6	14
OR 12X1	12	1	1.4	12	13.4	12.6	14
OR 12,5X1	12.5	1	1.4	12	13.4	13.6	15
OR 13X1	13	1	1.4	13	14.4	13.6	15
OR 13,5X1	13.5	1	1.4	13	14.4	14.6	16
OR 14X1	14	1	1.4	14	15.4	14.6	16
OR 14,5X1	14.5	1	1.4	14	15.4	15.6	17

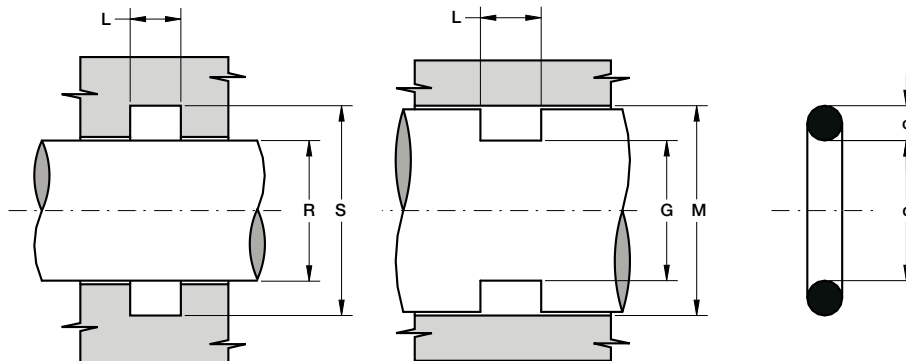
Cod. AS	d	c	L ^{+0.2}	R ^{f7}	S ^{H9}	G ^{h9}	M ^{H8}
OR 15,5X1	15.5	1	1.4	15	16.4	16.6	18
OR 16X1	16	1	1.4	16	17.4	16.6	18
OR 16,5X1	16.5	1	1.4	16	17.4	17.6	19
OR 17X1	17	1	1.4	17	18.4	17.6	19
OR 17,5X1	17.5	1	1.4	17	18.4	18.6	20
OR 18X1	18	1	1.4	18	19.4	18.6	20
OR 18,5X1	18.5	1	1.4	18	19.4	19.6	21
OR 19X1	19	1	1.4	19	20.4	19.6	21
OR 19,5X1	19.5	1	1.4	19	20.4	20.6	22
OR 20X1	20	1	1.4	20	21.4	20.6	22
OR 20,5X1	20.5	1	1.4	20	21.4	21.6	23
OR 21X1	21	1	1.4	21	22.4	21.6	23
OR 21,5X1	21.5	1	1.4	21	22.4	22.6	24
OR 22X1	22	1	1.4	22	23.4	22.6	24
OR 22,5X1	22.5	1	1.4	22	23.4	23.6	25
OR 23X1	23	1	1.4	23	24.4	23.6	25
OR 23,5X1	23.5	1	1.4	23	24.4	24.6	26
OR 24X1	24	1	1.4	24	25.4	24.6	26
OR 24,5X1	24.5	1	1.4	24	25.4	25.6	27
OR 25X1	25	1	1.4	25	26.4	25.6	27
OR 26X1	26	1	1.4	26	27.4	26.6	28
OR 27X1	27	1	1.4	27	28.4	27.6	29
OR 28X1	28	1	1.4	28	29.4	28.6	30
OR 29X1	29	1	1.4	29	30.4	29.6	31
OR 30X1	30	1	1.4	30	31.4	30.6	32
OR 34,4X1	34.4	1	1.4	34	35.4	35.6	37
OR 35X1	35	1	1.4	35	36.4	35.6	37
OR 36X1	36	1	1.4	36	37.4	36.6	38
OR 36,5X1	36.5	1	1.4	36	37.4	37.6	39



Cod. AS	d	c	L ^{+0.2}	R ^{f7}	S ^{H9}	G ^{h9}	M ^{H8}
OR 38X1	38	1	1.4	38	39.4	38.6	40
OR 38,5X1	38.5	1	1.4	38	39.4	39.6	41
OR 40X1	40	1	1.4	40	41.4	40.6	42
OR 45X1	45	1	1.4	45	46.4	45.6	47
OR 74X1	74	1	1.4	74	75.4	74.6	76
OR 90X1	90	1	1.4	90	91.4	90.6	92
OR 94X1	94	1	1.4	94	95.4	94.6	96
OR 137X1	137	1	1.4	137	138.4	137.6	139

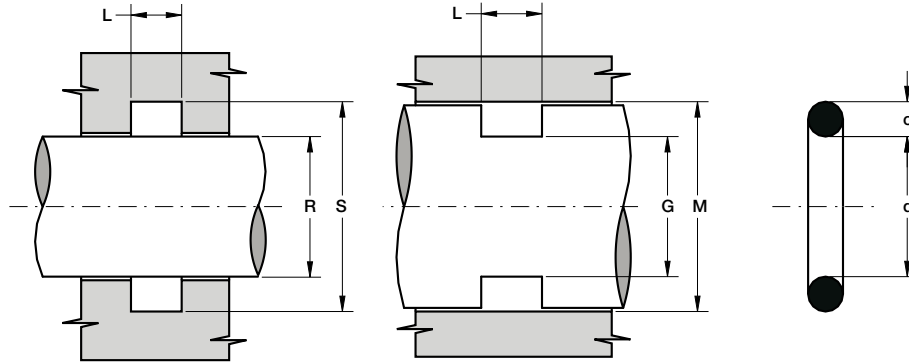
OR 1,5X1,5	1.5	1.5	2	1.5	3.9	2.1	4.5
OR 1,85X1,5	1.85	1.5	2	1.9	4.3	2.5	4.9
OR 2X1,5	2	1.5	2	2	4.4	2.6	5
OR 2,5X1,5	2.5	1.5	2	2.5	4.9	3.1	5.5
OR 2,8X1,5	2.8	1.5	2	2.8	5.2	3.4	5.8
OR 3X1,5	3	1.5	2	3	5.4	3.6	6
OR 3,5X1,5	3.5	1.5	2	3.5	5.9	4.1	6.5
OR 4X1,5	4	1.5	2	4	6.4	4.6	7
OR 4,5X1,5	4.5	1.5	2	4.5	6.9	5.1	7.5
OR 5X1,5	5	1.5	2	5	7.4	5.6	8
OR 5,5X1,5	5.5	1.5	2	5.5	7.9	6.1	8.5
OR 6,5X1,5	6.5	1.5	2	6.5	8.9	7.1	9.5
OR 7X1,5	7	1.5	2	7	9.4	7.6	10
OR 7,5X1,5	7.5	1.5	2	7.5	9.9	8.1	10.5
OR 8X1,5	8	1.5	2	8	10.4	8.6	11
OR 8,5X1,5	8.5	1.5	2	8.5	10.9	9.1	11.5
OR 9X1,5	9	1.5	2	9	11.4	9.6	12
OR 9,5X1,5	9.5	1.5	2	9.5	11.9	10.1	12.5
OR 10X1,5	10	1.5	2	10	12.4	10.6	13
OR 10,5X1,5	10.5	1.5	2	10	12.4	11.1	13.5

Cod. AS	d	c	L ^{+0.2}	R ^{f7}	S ^{H9}	G ^{h9}	M ^{H8}
OR 11X1,5	11	1.5	2	11	13.4	11.6	14
OR 11,5X1,5	11.5	1.5	2	11	13.4	12.6	15
OR 12X1,5	12	1.5	2	12	14.4	12.6	15
OR 12,5X1,5	12.5	1.5	2	12	14.4	13.6	16
OR 13X1,5	13	1.5	2	13	15.4	13.6	16
OR 13,5X1,5	13.5	1.5	2	13	15.4	14.6	17
OR 14X1,5	14	1.5	2	14	16.4	14.6	17
OR 14,5X1,5	14.5	1.5	2	14	16.4	15.6	18
OR 15X1,5	15	1.5	2	15	17.4	15.6	18
OR 15,5X1,5	15.5	1.5	2	15	17.4	16.6	19
OR 16X1,5	16	1.5	2	16	18.4	16.6	19
OR 16,5X1,5	16.5	1.5	2	16	18.4	17.6	20
OR 17X1,5	17	1.5	2	17	19.4	17.6	20
OR 17,5X1,5	17.5	1.5	2	17	19.4	18.6	21
OR 18X1,5	18	1.5	2	18	20.4	18.6	21
OR 18,5X1,5	18.5	1.5	2	18	20.4	19.6	22
OR 19X1,5	19	1.5	2	19	21.4	19.6	22
OR 19,5X1,5	19.5	1.5	2	19	21.4	20.6	23
OR 20X1,5	20	1.5	2	20	22.4	20.6	23
OR 20,5X1,5	20.5	1.5	2	20	22.4	21.6	24
OR 21X1,5	21	1.5	2	21	23.4	21.6	24
OR 21,5X1,5	21.5	1.5	2	21	23.4	22.6	25
OR 22X1,5	22	1.5	2	22	24.4	22.6	25
OR 22,5X1,5	22.5	1.5	2	22	24.4	23.6	26
OR 23X1,5	23	1.5	2	23	25.4	23.6	26
OR 23,5X1,5	23.5	1.5	2	23	25.4	24.6	27
OR 24X1,5	24	1.5	2	24	26.4	24.6	27
OR 24,5X1,5	24.5	1.5	2	24	26.4	25.6	28
OR 25X1,5	25	1.5	2	25	27.4	25.6	28



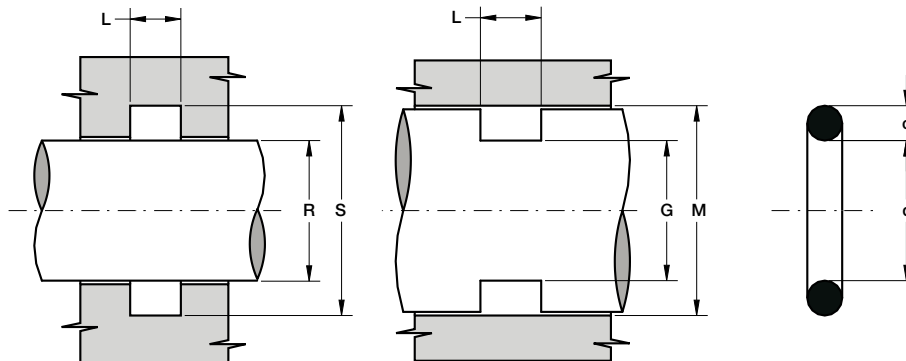
Cod. AS	d	c	L ^{+0.2}	R ^{f7}	S ^{H9}	G ^{h9}	M ^{H8}
OR 25X1,5	25.5	1.5	2	25	27.4	26.6	29
OR 26X1,5	26	1.5	2	26	28.4	26.6	29
OR 26,5X1,5	26.5	1.5	2	26	28.4	27.6	30
OR 27X1,5	27	1.5	2	27	29.4	27.6	30
OR 27,5X1,5	27.5	1.5	2	27	29.4	28.6	31
OR 28X1,5	28	1.5	2	28	30.4	28.6	31
OR 28,5X1,5	28.5	1.5	2	28	30.4	29.6	32
OR 29X1,5	29	1.5	2	29	31.4	29.6	32
OR 29,5X1,5	29.5	1.5	2	29	31.4	30.6	33
OR 30X1,5	30	1.5	2	30	32.4	30.6	33
OR 30,5X1,5	30.5	1.5	2	30	32.4	31.6	34
OR 31X1,5	31	1.5	2	31	33.4	31.6	34
OR 31,5X1,5	31.5	1.5	2	31	33.4	32.6	35
OR 32X1,5	32	1.5	2	32	34.4	32.6	35
OR 32,5X1,5	32.5	1.5	2	32	34.4	33.6	36
OR 33X1,5	33	1.5	2	33	35.4	33.6	36
OR 33,5X1,5	33.5	1.5	2	33	35.4	34.6	37
OR 34X1,5	34	1.5	2	34	36.4	34.6	37
OR 34,5X1,5	34.5	1.5	2	34	36.4	35.6	38
OR 35X1,5	35	1.5	2	35	37.4	35.6	38
OR 35,5X1,5	35.5	1.5	2	35	37.4	36.6	39
OR 36X1,5	36	1.5	2	36	38.4	36.6	39
OR 36,5X1,5	36.5	1.5	2	36	38.4	37.6	40
OR 37X1,5	37	1.5	2	37	39.4	37.6	40
OR 37,5X1,5	37.5	1.5	2	37	39.4	38.6	41
OR 38X1,5	38	1.5	2	38	40.4	38.6	41
OR 38,5X1,5	38.5	1.5	2	38	40.4	39.6	42
OR 39X1,5	39	1.5	2	39	41.4	39.6	42

Cod. AS	d	c	L ^{+0.2}	R ^{f7}	S ^{H9}	G ^{h9}	M ^{H8}
OR 39,5X1,5	39.5	1.5	2	39	41.4	40.6	43
OR 40X1,5	40	1.5	2	40	42.4	40.6	43
OR 41X1,5	41	1.5	2	41	43.4	41.6	44
OR 42X1,5	42	1.5	2	42	44.4	42.6	45
OR 43X1,5	43	1.5	2	43	45.4	43.6	46
OR 44X1,5	44	1.5	2	44	46.4	44.6	47
OR 45X1,5	45	1.5	2	45	47.4	45.6	48
OR 46X1,5	46	1.5	2	46	48.4	46.6	49
OR 47X1,5	47	1.5	2	47	49.4	47.6	50
OR 48X1,5	48	1.5	2	48	50.4	48.6	51
OR 49X1,5	49	1.5	2	49	51.4	49.6	52
OR 50X1,5	50	1.5	2	50	52.4	50.6	53
OR 51X1,5	51	1.5	2	51	53.4	51.6	54
OR 52X1,5	52	1.5	2	52	54.4	52.6	55
OR 53X1,5	53	1.5	2	53	55.4	53.6	56
OR 54X1,5	54	1.5	2	54	56.4	54.6	57
OR 55X1,5	55	1.5	2	55	57.4	55.6	58
OR 56X1,5	56	1.5	2	56	58.4	56.6	59
OR 57X1,5	57	1.5	2	57	59.4	57.6	60
OR 58X1,5	58	1.5	2	58	60.4	58.6	61
OR 59X1,5	59	1.5	2	59	61.4	59.6	62
OR 60X1,5	60	1.5	2	60	62.4	60.6	63
OR 61X1,5	61	1.5	2	61	63.4	61.6	64
OR 62X1,5	62	1.5	2	62	64.4	62.6	65
OR 63X1,5	63	1.5	2	63	65.4	63.6	66
OR 64X1,5	64	1.5	2	64	66.4	64.6	67
OR 65X1,5	65	1.5	2	65	67.4	65.6	68
OR 66X1,5	66	1.5	2	66	68.4	66.6	69
OR 67X1,5	67	1.5	2	67	69.4	67.6	70



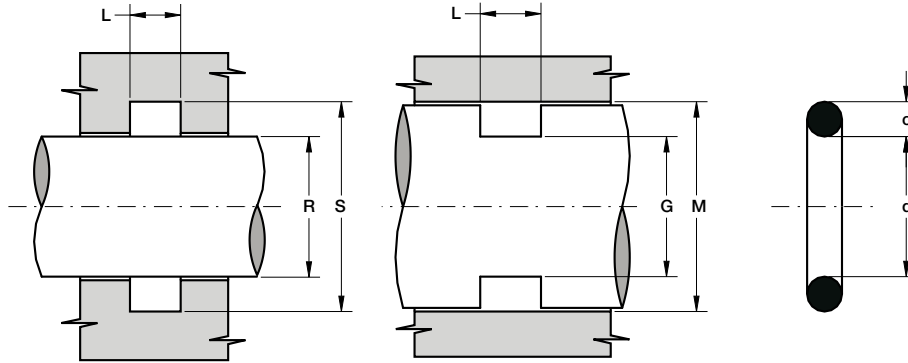
Cod. AS	d	c	L ^{+0.2}	R ^{f7}	S ^{H9}	G ^{h9}	M ^{H8}
OR 68X1,5	68	1.5	2	68	70.4	68.6	71
OR 69X1,5	69	1.5	2	69	71.4	69.6	72
OR 70X1,5	70	1.5	2	70	72.4	70.6	73
OR 71X1,5	71	1.5	2	71	73.4	71.6	74
OR 72X1,5	72	1.5	2	72	74.4	72.6	75
OR 73X1,5	73	1.5	2	73	75.4	73.6	76
OR 74X1,5	74	1.5	2	74	76.4	74.6	77
OR 75X1,5	75	1.5	2	75	77.4	75.6	78
OR 76X1,5	76	1.5	2	76	78.4	76.6	79
OR 77X1,5	77	1.5	2	77	79.4	77.6	80
OR 78X1,5	78	1.5	2	78	80.4	78.6	81
OR 79X1,5	79	1.5	2	79	81.4	79.6	82
OR 80X1,5	80	1.5	2	80	82.4	80.6	83
OR 81X1,5	81	1.5	2	81	83.4	81.6	84
OR 82X1,5	82	1.5	2	82	84.4	82.6	85
OR 83X1,5	83	1.5	2	83	85.4	83.6	86
OR 84X1,5	84	1.5	2	84	86.4	84.6	87
OR 85X1,5	85	1.5	2	85	87.4	85.6	88
OR 87X1,5	87	1.5	2	87	89.4	87.6	90
OR 88X1,5	88	1.5	2	88	90.4	88.6	91
OR 89X1,5	89	1.5	2	89	91.4	89.6	92
OR 90X1,5	90	1.5	2	90	92.4	90.6	93
OR 91X1,5	91	1.5	2	91	93.4	91.6	94
OR 92X1,5	92	1.5	2	92	94.4	92.6	95
OR 93X1,5	93	1.5	2	93	95.4	93.6	96
OR 94X1,5	94	1.5	2	94	96.4	94.6	97
OR 95X1,5	95	1.5	2	95	97.4	95.6	98
OR 96X1,5	96	1.5	2	96	98.4	96.6	99
OR 97X1,5	97	1.5	2	97	99.4	97.6	100

Cod. AS	d	c	L ^{+0.2}	R ^{f7}	S ^{H9}	G ^{h9}	M ^{H8}
OR 98X1,5	98	1.5	2	98	100.4	98.6	101
OR 99X1,5	99	1.5	2	99	101.4	99.6	102
OR 100X1,5	100	1.5	2	100	102.4	100.6	103
OR 105X1,5	105	1.5	2	105	107.4	105.6	108
OR 132X1,5	132	1.5	2	132	134.4	132.6	135
OR 2,7X1,6	2.7	1.6	2.1	2.7	5.2	3.4	5.9
OR 3,1X1,6	3.1	1.6	2.1	3.1	5.6	3.8	6.3
OR 4,1X1,6	4.1	1.6	2.1	4	6.5	5	7.5
OR 5,1X1,6	5.1	1.6	2.1	5	7.5	6	8.5
OR 5,2X1,6	5.2	1.6	2.1	5	7.5	6	8.5
OR 6,1X1,6	6.1	1.6	2.1	6	8.5	7	9.5
OR 7,1X1,6	7.1	1.6	2.1	7	9.5	8	10.5
OR 9,1X1,6	9.1	1.6	2.1	9	11.5	10	12.5
OR 9,5X1,6	9.5	1.6	2.1	9.5	12	10.5	13
OR 10,1X1,6	10.1	1.6	2.1	10	12.5	11	13.5
OR 11,1X1,6	11.1	1.6	2.1	11	13.5	12.5	15
OR 12,1X1,6	12.1	1.6	2.1	12	14.5	13.5	16
OR 13,1X1,6	13.1	1.6	2.1	13	15.5	14.5	17
OR 14,1X1,6	14.1	1.6	2.1	14	16.5	15.5	18
OR 15,1X1,6	15.1	1.6	2.1	15	17.5	16.5	19
OR 17,1X1,6	17.1	1.6	2.1	17	19.5	18.5	21
OR 18,1X1,6	18.1	1.6	2.1	18	20.5	19.5	22
OR 19,1X1,6	19.1	1.6	2.1	19	21.5	20.5	23
OR 22,1X1,6	22.1	1.6	2.1	22	24.5	23.5	26
OR 25,1X1,6	25.1	1.6	2.1	25	27.5	26.5	29
OR 27,1X1,6	27.1	1.6	2.1	27	29.5	28.5	31
OR 29,1X1,6	29.1	1.6	2.1	29	31.5	30.5	33
OR 32,1X1,6	32.1	1.6	2.1	32	34.5	33.5	36



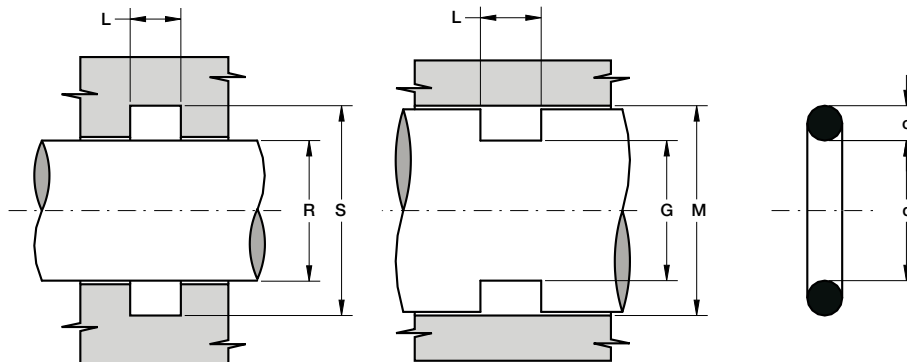
Cod. AS	d	c	L ^{+0.2}	R ^{f7}	S ^{H9}	G ^{h9}	M ^{H8}
OR 35,1X1,6	35.1	1.6	2.1	35	37.5	36.5	39
OR 35,1X1,6	35.1	1.6	2.1	35	37.5	36.5	39
OR 37,1X1,6	37.1	1.6	2.1	37	39.5	38.5	41
OR 2,5X2	2.5	2	2.7	2.5	5.8	3.2	6.5
OR 3X2	3	2	2.7	3	6.3	3.7	7
OR 3,5X2	3.5	2	2.7	3.5	6.8	4.2	7.5
OR 4X2	4	2	2.7	4	7.3	4.7	8
OR 4,5X2	4.5	2	2.7	4.5	7.8	5.2	8.5
OR 5X2	5	2	2.7	5	8.3	5.7	9
OR 5,5X2	5.5	2	2.7	5.5	8.8	6.2	9.5
OR 6X2	6	2	2.7	6	9.3	6.7	10
OR 6,5X2	6.5	2	2.7	6.5	9.8	7.2	10.5
OR 7X2	7	2	2.7	7	10.3	7.7	11
OR 7,5X2	7.5	2	2.7	7.5	10.8	8.2	11.5
OR 8X2	8	2	2.7	8	11.3	8.7	12
OR 8,5X2	8.5	2	2.7	8.5	11.8	9.2	12.5
OR 9X2	9	2	2.7	9	12.3	9.7	13
OR 9,5X2	9.5	2	2.7	9.5	12.8	10.2	13.5
OR 10X2	10	2	2.7	10	13.3	10.7	14
OR 10,5X2	10.5	2	2.7	10	13.3	11.7	15
OR 11X2	11	2	2.7	11	14.3	11.7	15
OR 11,5X2	11.5	2	2.7	11	14.3	12.7	16
OR 12X2	12	2	2.7	12	15.3	12.7	16
OR 12,5X2	12.5	2	2.7	12	15.3	13.7	17
OR 13X2	13	2	2.7	13	16.3	13.7	17
OR 13,5X2	13.5	2	2.7	13	16.3	14.7	18
OR 14X2	14	2	2.7	14	17.3	14.7	18
OR 14,5X2	14.5	2	2.7	14	17.3	15.7	19

Cod. AS	d	c	L ^{+0.2}	R ^{f7}	S ^{H9}	G ^{h9}	M ^{H8}
OR 15X2	15	2	2.7	15	18.3	15.7	19
OR 15,5X2	15.5	2	2.7	15	18.3	16.7	20
OR 16X2	16	2	2.7	16	19.3	16.7	20
OR 16,5X2	16.5	2	2.7	16	19.3	17.7	21
OR 17X2	17	2	2.7	17	20.3	17.7	21
OR 17,5X2	17.5	2	2.7	17	20.3	18.7	22
OR 18X2	18	2	2.7	18	21.3	18.7	22
OR 18,5X2	18.5	2	2.7	18	21.3	19.7	23
OR 19X2	19	2	2.7	19	22.3	19.7	23
OR 19,5X2	19.5	2	2.7	19	22.3	20.7	24
OR 20X2	20	2	2.7	20	23.3	20.7	24
OR 20,5X2	20.5	2	2.7	20	23.3	21.7	25
OR 21X2	21	2	2.7	21	24.3	21.7	25
OR 21,5X2	21.5	2	2.7	21	24.3	22.7	26
OR 22X2	22	2	2.7	22	25.3	22.7	26
OR 22,5X2	22.5	2	2.7	22	25.3	23.7	27
OR 23X2	23	2	2.7	23	26.3	23.7	27
OR 23,5X2	23.5	2	2.7	23	26.3	24.7	28
OR 24X2	24	2	2.7	24	27.3	24.7	28
OR 24,5X2	24.5	2	2.7	24	27.3	25.7	29
OR 25X2	25	2	2.7	25	28.3	25.7	29
OR 25,5X2	25.5	2	2.7	25	28.3	26.7	30
OR 26X2	26	2	2.7	26	29.3	26.7	30
OR 26,5X2	26.5	2	2.7	26	29.3	27.7	31
OR 27X2	27	2	2.7	27	30.3	27.7	31
OR 27,5X2	27.5	2	2.7	27	30.3	28.7	32
OR 28X2	28	2	2.7	28	31.3	28.7	32
OR 28,5X2	28.5	2	2.7	28	31.3	29.7	33
OR 29X2	29	2	2.7	29	32.3	29.7	33



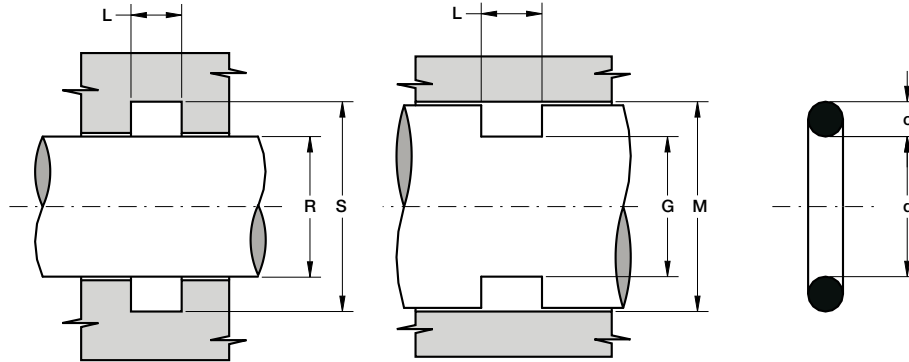
Cod. AS	d	c	L ^{+0.2}	R ^{f7}	S ^{H9}	G ^{h9}	M ^{H8}
OR 29,5X2	29.5	2	2.7	29	32.3	30.7	34
OR 30X2	30	2	2.7	30	33.3	30.7	34
OR 30,5X2	30.5	2	2.7	30	33.3	31.7	35
OR 31X2	31	2	2.7	31	34.3	31.7	35
OR 31,5X2	31.5	2	2.7	31	34.3	32.7	36
OR 32X2	32	2	2.7	32	35.3	32.7	36
OR 32,5X2	32.5	2	2.7	32	35.3	33.7	37
OR 33X2	33	2	2.7	33	36.3	33.7	37
OR 33,5X2	33.5	2	2.7	33	36.3	34.7	38
OR 34X2	34	2	2.7	34	37.3	34.7	38
OR 34,5X2	34.5	2	2.7	34	37.3	35.7	39
OR 35X2	35	2	2.7	35	38.3	35.7	39
OR 35,5X2	35.5	2	2.7	35	38.3	36.7	40
OR 36X2	36	2	2.7	36	39.3	36.7	40
OR 36,5X2	36.5	2	2.7	36	39.3	37.7	41
OR 37X2	37	2	2.7	37	40.3	37.7	41
OR 37,5X2	37.5	2	2.7	37	40.3	38.7	42
OR 38X2	38	2	2.7	38	41.3	38.7	42
OR 38,5X2	38.5	2	2.7	38	41.3	39.7	43
OR 39X2	39	2	2.7	39	42.3	39.7	43
OR 39,5X2	39.5	2	2.7	39	42.3	40.7	44
OR 40X2	40	2	2.7	40	43.3	40.7	44
OR 41X2	41	2	2.7	41	44.3	41.7	45
OR 42X2	42	2	2.7	42	45.3	42.7	46
OR 43X2	43	2	2.7	43	46.3	43.7	47
OR 44X2	44	2	2.7	44	47.3	44.7	48
OR 44,5X2	44.5	2	2.7	44	47.3	45.7	49
OR 45X2	45	2	2.7	45	48.3	45.7	49
OR 46X2	46	2	2.7	46	49.3	46.7	50

Cod. AS	d	c	L ^{+0.2}	R ^{f7}	S ^{H9}	G ^{h9}	M ^{H8}
OR 47X2	47	2	2.7	47	50.3	47.7	51
OR 48X2	48	2	2.7	48	51.3	48.7	52
OR 49X2	49	2	2.7	49	52.3	49.7	53
OR 50X2	50	2	2.7	50	53.3	50.7	54
OR 51X2	51	2	2.7	51	54.3	51.7	55
OR 52X2	52	2	2.7	52	55.3	52.7	56
OR 53X2	53	2	2.7	53	56.3	53.7	57
OR 54X2	54	2	2.7	54	57.3	54.7	58
OR 55X2	55	2	2.7	55	58.3	55.7	59
OR 56X2	56	2	2.7	56	59.3	56.7	60
OR 57X2	57	2	2.7	57	60.3	57.7	61
OR 58X2	58	2	2.7	58	61.3	58.7	62
OR 59X2	59	2	2.7	59	62.3	59.7	63
OR 60X2	60	2	2.7	60	63.3	60.7	64
OR 61X2	61	2	2.7	61	64.3	61.7	65
OR 62X2	62	2	2.7	62	65.3	62.7	66
OR 63X2	63	2	2.7	63	66.3	63.7	67
OR 64X2	64	2	2.7	64	67.3	64.7	68
OR 65X2	65	2	2.7	65	68.3	65.7	69
OR 66X2	66	2	2.7	66	69.3	66.7	70
OR 67X2	67	2	2.7	67	70.3	67.7	71
OR 68X2	68	2	2.7	68	71.3	68.7	72
OR 69X2	69	2	2.7	69	72.3	69.7	73
OR 70X2	70	2	2.7	70	73.3	70.7	74
OR 71X2	71	2	2.7	71	74.3	71.7	75
OR 72X2	72	2	2.7	72	75.3	72.7	76
OR 73X2	73	2	2.7	73	76.3	73.7	77
OR 73,5X2	73.5	2	2.7	73	76.3	74.7	78
OR 74X2	74	2	2.7	74	77.3	74.7	78



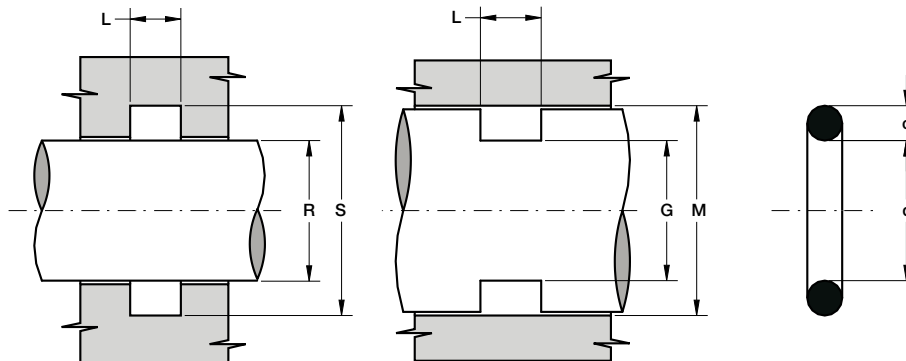
Cod. AS	d	c	L ^{+0.2}	R ^{f7}	S ^{H9}	G ^{h9}	M ^{H8}
OR 75X2	75	2	2.7	75	78.3	75.7	79
OR 76X2	76	2	2.7	76	79.3	76.7	80
OR 77X2	77	2	2.7	77	80.3	77.7	81
OR 78X2	78	2	2.7	78	81.3	78.7	82
OR 79X2	79	2	2.7	79	82.3	79.7	83
OR 80X2	80	2	2.7	80	83.3	80.7	84
OR 81X2	81	2	2.7	81	84.3	81.7	85
OR 82X2	82	2	2.7	82	85.3	82.7	86
OR 83X2	83	2	2.7	83	86.3	83.7	87
OR 84X2	84	2	2.7	84	87.3	84.7	88
OR 85X2	85	2	2.7	85	88.3	85.7	89
OR 86X2	86	2	2.7	86	89.3	86.7	90
OR 87X2	87	2	2.7	87	90.3	87.7	91
OR 88X2	88	2	2.7	88	91.3	88.7	92
OR 89X2	89	2	2.7	89	92.3	89.7	93
OR 90X2	90	2	2.7	90	93.3	90.7	94
OR 91X2	91	2	2.7	91	94.3	91.7	95
OR 92X2	92	2	2.7	92	95.3	92.7	96
OR 93X2	93	2	2.7	93	96.3	93.7	97
OR 94X2	94	2	2.7	94	97.3	94.7	98
OR 95X2	95	2	2.7	95	98.3	95.7	99
OR 96X2	96	2	2.7	96	99.3	96.7	100
OR 97X2	97	2	2.7	97	100.3	97.7	101
OR 98X2	98	2	2.7	98	101.3	98.7	102
OR 99X2	99	2	2.7	99	102.3	99.7	103
OR 100X2	100	2	2.7	100	103.3	100.7	104
OR 104X2	104	2	2.7	104	107.3	104.7	108
OR 106X2	106	2	2.7	106	109.3	106.7	110
OR 110X2	110	2	2.7	110	113.3	110.7	114

Cod. AS	d	c	L ^{+0.2}	R ^{f7}	S ^{H9}	G ^{h9}	M ^{H8}
OR 112X2	112	2	2.7	112	115.3	112.7	116
OR 118,5X2	118.5	2	2.7	118	121.3	119.7	123
OR 120X2	120	2	2.7	120	123.3	120.7	124
OR 125X2	125	2	2.7	125	128.3	125.7	129
OR 128X2	128	2	2.7	128	131.3	128.7	132
OR 132X2	132	2	2.7	132	135.3	132.7	136
OR 143X2	143	2	2.7	143	146.3	143.7	147
OR 143,5X2	143.5	2	2.7	143	146.3	144.7	148
OR 180X2	180	2	2.7	180	183.3	181.7	185
OR 195X2	195	2	2.7	195	198.3	196.7	200
OR 234X2	234	2	2.7	230	233.3	236.7	240
OR 3,3X2,4	3.3	2.4	3.2	3.3	7.3	4.1	8.1
OR 3,6X2,4	3.6	2.4	3.2	3.5	7.5	4.4	8.4
OR 4,3X2,4	4.3	2.4	3.2	4.3	8.3	5.5	9.5
OR 4,6X2,4	4.6	2.4	3.2	4.6	8.6	5.5	9.5
OR 5,3X2,4	5.3	2.4	3.2	5	9	6.5	10.5
OR 5,5X2,4	5.5	2.4	3.2	5.5	9.5	6.5	10.5
OR 5,6X2,4	5.6	2.4	3.2	5.5	9.5	6.5	10.5
OR 6,3X2,4	6.3	2.4	3.2	6	10	7.5	11.5
OR 6,6X2,4	6.6	2.4	3.2	6.5	10.5	7.5	11.5
OR 7,3X2,4	7.3	2.4	3.2	7	11	8.5	12.5
OR 7,5X2,4	7.5	2.4	3.2	7.5	11.5	8.5	12.5
OR 7,6X2,4	7.6	2.4	3.2	7.5	11.5	8.5	12.5
OR 8,3X2,4	8.3	2.4	3.2	8	12	9.5	13.5
OR 8,6X2,4	8.6	2.4	3.2	8.5	12.5	9.5	13.5
OR 9,3X2,4	9.3	2.4	3.2	9	13	10.5	14.5
OR 9,6X2,4	9.6	2.4	3.2	9.5	13.5	10.5	14.5
OR 10,3X2,4	10.3	2.4	3.2	10	14	11.5	15.5



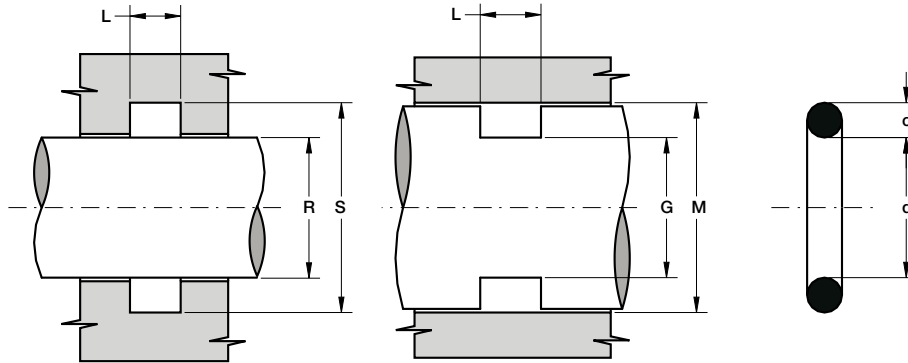
Cod. AS	d	c	L ^{+0.2}	R ^{f7}	S ^{H9}	G ^{h9}	M ^{H8}
OR 10,5X2,4	10.5	2.4	3.2	10	14	12	16
OR 10,6X2,4	10.6	2.4	3.2	10	14	12	16
OR 11,3X2,4	11.3	2.4	3.2	11	15	13	17
OR 11,5X2,4	11.5	2.4	3.2	11	15	13	17
OR 11,6X2,4	11.6	2.4	3.2	11	15	13	17
OR 12,3X2,4	12.3	2.4	3.2	12	16	14	18
OR 12,6X2,4	12.6	2.4	3.2	12	16	14	18
OR 13,3X2,4	13.3	2.4	3.2	13	17	15	19
OR 13,5X2,4	13.5	2.4	3.2	13	17	15	19
OR 13,6X2,4	13.6	2.4	3.2	13	17	15	19
OR 14,3X2,4	14.3	2.4	3.2	14	18	16	20
OR 14,5X2,4	14.5	2.4	3.2	14	18	16	20
OR 14,6X2,4	14.6	2.4	3.2	14	18	16	20
OR 15,3X2,4	15.3	2.4	3.2	15	19	17	21
OR 15,5X2,4	15.5	2.4	3.2	15	19	17	21
OR 15,6X2,4	15.6	2.4	3.2	15	19	17	21
OR 16,3X2,4	16.3	2.4	3.2	16	20	18	22
OR 16,6X2,4	16.6	2.4	3.2	16	20	18	22
OR 17,3X2,4	17.3	2.4	3.2	17	21	19	23
OR 17,5X2,4	17.5	2.4	3.2	17	21	19	23
OR 17,6X2,4	17.6	2.4	3.2	17	21	19	23
OR 18,6X2,4	18.6	2.4	3.2	18	22	20	24
OR 19,3X2,4	19.3	2.4	3.2	19	23	21	25
OR 19,6X2,4	19.6	2.4	3.2	19	23	21	25
OR 20,3X2,4	20.3	2.4	3.2	20	24	22	26
OR 20,5X2,4	20.5	2.4	3.2	20	24	22	26
OR 21,3X2,4	21.3	2.4	3.2	21	25	23	27
OR 21,5X2,4	21.5	2.4	3.2	21	25	23	27
OR 21,6X2,4	21.6	2.4	3.2	21	25	23	27

Cod. AS	d	c	L ^{+0.2}	R ^{f7}	S ^{H9}	G ^{h9}	M ^{H8}
OR 22,3X2,4	22.3	2.4	3.2	22	26	24	28
OR 23,5X2,4	23.5	2.4	3.2	23	27	25	29
OR 24,5X2,4	24.5	2.4	3.2	24	28	26	30
OR 24,6X2,4	24.6	2.4	3.2	24	28	26	30
OR 25X2,4	25	2.4	3.2	25	29	26	30
OR 25,3X2,4	25.3	2.4	3.2	25	29	27	31
OR 27,3X2,4	27.3	2.4	3.2	27	31	29	33
OR 27,5X2,4	27.5	2.4	3.2	27	31	29	33
OR 27,6X2,4	27.6	2.4	3.2	27	31	29	33
OR 29,6X2,4	29.6	2.4	3.2	29	33	31	35
OR 31,6X2,4	31.6	2.4	3.2	31	35	33	37
OR 33X2,4	33	2.4	3.2	33	37	34	38
OR 33,3X2,4	33.3	2.4	3.2	33	37	35	39
OR 34,6X2,4	34.6	2.4	3.2	34	38	36	40
OR 37,6X2,4	37.6	2.4	3.2	37	41	39	43
OR 39,6X2,4	39.6	2.4	3.2	39	43	41	45
OR 41,6X2,4	41.6	2.4	3.2	41	45	43	47
OR 44,6X2,4	44.6	2.4	3.2	44	48	46	50
OR 49,6X2,4	49.6	2.4	3.2	49	53	51	55
OR 51,6X2,4	51.6	2.4	3.2	51	55	53	57
OR 54,6X2,4	54.6	2.4	3.2	54	58	56	60
OR 57,6X2,4	57.6	2.4	3.2	57	61	59	63
OR 59,6X2,4	59.6	2.4	3.2	59	63	61	65
OR 61,6X2,4	61.6	2.4	3.2	61	65	63	67
OR 64,6X2,4	64.6	2.4	3.2	64	68	66	70
OR 67,6X2,4	67.6	2.4	3.2	67	71	69	73
OR 69,6X2,4	69.6	2.4	3.2	69	73	71	75
OR 4X2,5	4	2.5	3.3	4	8.2	4.8	9



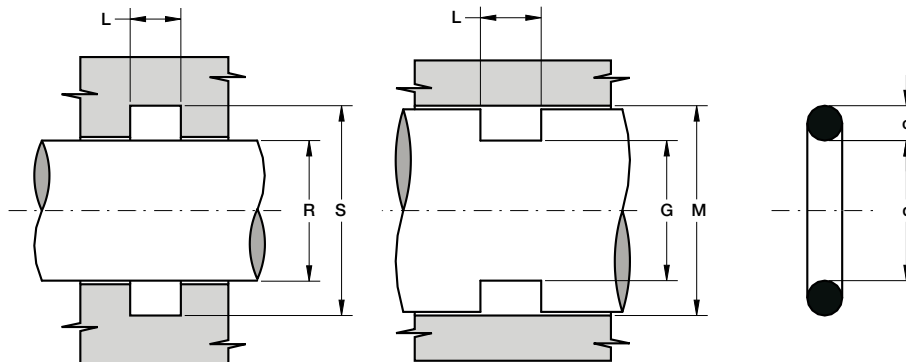
Cod. AS	d	c	L ^{+0.2}	R ^{f7}	S ^{H9}	G ^{h9}	M ^{H8}
OR 5X2,5	5	2.5	3.3	5	9.2	5.8	10
OR 5,5X2,5	5.5	2.5	3.3	5.5	9.7	6.3	10.5
OR 6X2,5	6	2.5	3.3	6	10.2	6.8	11
OR 6,5X2,5	6.5	2.5	3.3	6.5	10.7	7.3	11.5
OR 7X2,5	7	2.5	3.3	7	11.2	7.8	12
OR 7,5X2,5	7.5	2.5	3.3	7.5	11.7	8.3	12.5
OR 8X2,5	8	2.5	3.3	8	12.2	8.8	13
OR 8,5X2,5	8.5	2.5	3.3	8.5	12.7	9.3	13.5
OR 9X2,5	9	2.5	3.3	9	13.2	9.8	14
OR 9,5X2,5	9.5	2.5	3.3	9.5	13.7	10.3	14.5
OR 10X2,5	10	2.5	3.3	10	14.2	10.8	15
OR 10,5X2,5	10.5	2.5	3.3	10	14.2	11.8	16
OR 11X2,5	11	2.5	3.3	11	15.2	11.8	16
OR 11,5X2,5	11.5	2.5	3.3	11	15.2	12.8	17
OR 12X2,5	12	2.5	3.3	12	16.2	12.8	17
OR 13X2,5	13	2.5	3.3	13	17.2	13.8	18
OR 13,5X2,5	13.5	2.5	3.3	13	17.2	14.8	19
OR 14X2,5	14	2.5	3.3	14	18.2	14.8	19
OR 14,5X2,5	14.5	2.5	3.3	14	18.2	15.8	20
OR 15X2,5	15	2.5	3.3	15	19.2	15.8	20
OR 15,5X2,5	15.5	2.5	3.3	15	19.2	16.8	21
OR 16X2,5	16	2.5	3.3	16	20.2	16.8	21
OR 17X2,5	17	2.5	3.3	17	21.2	17.8	22
OR 17,5X2,5	17.5	2.5	3.3	17	21.2	18.8	23
OR 18X2,5	18	2.5	3.3	18	22.2	18.8	23
OR 19X2,5	19	2.5	3.3	19	23.2	19.8	24
OR 19,5X2,5	19.5	2.5	3.3	19	23.2	20.8	25
OR 20X2,5	20	2.5	3.3	20	24.2	20.8	25
OR 20,5X2,5	20.5	2.5	3.3	20	24.2	21.8	26

Cod. AS	d	c	L ^{+0.2}	R ^{f7}	S ^{H9}	G ^{h9}	M ^{H8}
OR 21X2,5	21	2.5	3.3	21	25.2	21.8	26
OR 21,5X2,5	21.5	2.5	3.3	21	25.2	22.8	27
OR 22X2,5	22	2.5	3.3	22	26.2	22.8	27
OR 22,5X2,5	22.5	2.5	3.3	22	26.2	23.8	28
OR 23X2,5	23	2.5	3.3	23	27.2	23.8	28
OR 24X2,5	24	2.5	3.3	24	28.2	24.8	29
OR 24,5X2,5	24.5	2.5	3.3	24	28.2	25.8	30
OR 25X2,5	25	2.5	3.3	25	29.2	25.8	30
OR 26X2,5	26	2.5	3.3	26	30.2	26.8	31
OR 27X2,5	27	2.5	3.3	27	31.2	27.8	32
OR 28X2,5	28	2.5	3.3	28	32.2	28.8	33
OR 29X2,5	29	2.5	3.3	29	33.2	29.8	34
OR 29,5X2,5	29.5	2.5	3.3	29	33.2	30.8	35
OR 30X2,5	30	2.5	3.3	30	34.2	30.8	35
OR 30,5X2,5	30.5	2.5	3.3	30	34.2	31.8	36
OR 31X2,5	31	2.5	3.3	31	35.2	31.8	36
OR 32X2,5	32	2.5	3.3	32	36.2	32.8	37
OR 32,5X2,5	32.5	2.5	3.3	32	36.2	33.8	38
OR 33X2,5	33	2.5	3.3	33	37.2	33.8	38
OR 33,5X2,5	33.5	2.5	3.3	33	37.2	34.8	39
OR 34X2,5	34	2.5	3.3	34	38.2	34.8	39
OR 35X2,5	35	2.5	3.3	35	39.2	35.8	40
OR 35,5X2,5	35.5	2.5	3.3	35	39.2	36.8	41
OR 36X2,5	36	2.5	3.3	36	40.2	36.8	41
OR 37X2,5	37	2.5	3.3	37	41.2	37.8	42
OR 38X2,5	38	2.5	3.3	38	42.2	38.8	43
OR 39X2,5	39	2.5	3.3	39	43.2	39.8	44
OR 40X2,5	40	2.5	3.3	40	44.2	40.8	45
OR 41X2,5	41	2.5	3.3	41	45.2	41.8	46



Cod. AS	d	c	L ^{+0.2}	R ^{f7}	S ^{H9}	G ^{h9}	M ^{H8}
OR 42X2,5	42	2.5	3.3	42	46.2	42.8	47
OR 43X2,5	43	2.5	3.3	43	47.2	43.8	48
OR 44X2,5	44	2.5	3.3	44	48.2	44.8	49
OR 45X2,5	45	2.5	3.3	45	49.2	45.8	50
OR 46X2,5	46	2.5	3.3	46	50.2	46.8	51
OR 47X2,5	47	2.5	3.3	47	51.2	47.8	52
OR 48X2,5	48	2.5	3.3	48	52.2	48.8	53
OR 49X2,5	49	2.5	3.3	49	53.2	49.8	54
OR 50X2,5	50	2.5	3.3	50	54.2	50.8	55
OR 50,5X2,5	50.5	2.5	3.3	50	54.2	51.8	56
OR 51X2,5	51	2.5	3.3	51	55.2	51.8	56
OR 52X2,5	52	2.5	3.3	52	56.2	52.8	57
OR 54X2,5	54	2.5	3.3	54	58.2	54.8	59
OR 55X2,5	55	2.5	3.3	55	59.2	55.8	60
OR 56X2,5	56	2.5	3.3	56	60.2	56.8	61
OR 57X2,5	57	2.5	3.3	57	61.2	57.8	62
OR 58X2,5	58	2.5	3.3	58	62.2	58.8	63
OR 60X2,5	60	2.5	3.3	60	64.2	60.8	65
OR 62X2,5	62	2.5	3.3	62	66.2	62.8	67
OR 62X2,5	62	2.5	3.3	62	66.2	62.8	67
OR 63X2,5	63	2.5	3.3	63	67.2	63.8	68
OR 64X2,5	64	2.5	3.3	64	68.2	64.8	69
OR 65X2,5	65	2.5	3.3	65	69.2	65.8	70
OR 66X2,5	66	2.5	3.3	66	70.2	66.8	71
OR 67X2,5	67	2.5	3.3	67	71.2	67.8	72
OR 68X2,5	68	2.5	3.3	68	72.2	68.8	73
OR 69X2,5	69	2.5	3.3	69	73.2	69.8	74
OR 70X2,5	70	2.5	3.3	70	74.2	70.8	75
OR 71X2,5	71	2.5	3.3	71	75.2	71.8	76

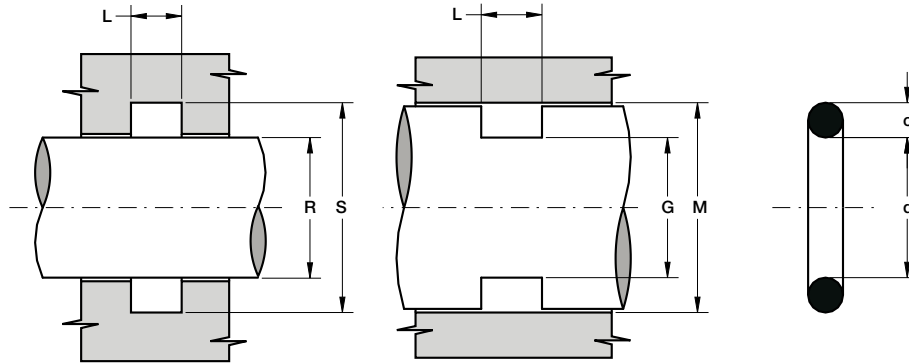
Cod. AS	d	c	L ^{+0.2}	R ^{f7}	S ^{H9}	G ^{h9}	M ^{H8}
OR 72X2,5	72	2.5	3.3	72	76.2	72.8	77
OR 73X2,5	73	2.5	3.3	73	77.2	73.8	78
OR 74X2,5	74	2.5	3.3	74	78.2	74.8	79
OR 75X2,5	75	2.5	3.3	75	79.2	75.8	80
OR 76X2,5	76	2.5	3.3	76	80.2	76.8	81
OR 78X2,5	78	2.5	3.3	78	82.2	78.8	83
OR 80X2,5	80	2.5	3.3	80	84.2	80.8	85
OR 85X2,5	85	2.5	3.3	85	89.2	85.8	90
OR 86X2,5	86	2.5	3.3	86	90.2	86.8	91
OR 87X2,5	87	2.5	3.3	87	91.2	87.8	92
OR 88X2,5	88	2.5	3.3	88	92.2	88.8	93
OR 89X2,5	89	2.5	3.3	89	93.2	89.8	94
OR 90X2,5	90	2.5	3.3	90	94.2	90.8	95
OR 92X2,5	92	2.5	3.3	92	96.2	92.8	97
OR 95X2,5	95	2.5	3.3	95	99.2	95.8	100
OR 96X2,5	96	2.5	3.3	96	100.2	96.8	101
OR 98X2,5	98	2.5	3.3	98	102.2	98.8	103
OR 102X2,5	102	2.5	3.3	102	106.2	102.8	107
OR 103X2,5	103	2.5	3.3	103	107.2	103.8	108
OR 105X2,5	105	2.5	3.3	105	109.2	105.8	110
OR 107X2,5	107	2.5	3.3	107	111.2	107.8	112
OR 108X2,5	108	2.5	3.3	108	112.2	108.8	113
OR 110X2,5	110	2.5	3.3	110	114.2	110.8	115
OR 111X2,5	111	2.5	3.3	111	115.2	111.8	116
OR 113X2,5	113	2.5	3.3	113	117.2	113.8	118
OR 115X2,5	115	2.5	3.3	115	119.2	115.8	120
OR 122X2,5	122	2.5	3.3	122	126.2	122.8	127
OR 124X2,5	124	2.5	3.3	124	128.2	124.8	129
OR 125X2,5	125	2.5	3.3	125	129.2	125.8	130



Cod. AS	d	c	L ^{+0.2}	R ^{f7}	S ^{H9}	G ^{h9}	M ^{H8}
OR 127X2,5	127	2.5	3.3	127	131.2	127.8	132
OR 128X2,5	128	2.5	3.3	128	132.2	128.8	133
OR 130X2,5	130	2.5	3.3	130	134.2	130.8	135
OR 135X2,5	135	2.5	3.3	135	139.2	135.8	140
OR 140X2,5	140	2.5	3.3	140	144.2	140.8	145
OR 145X2,5	145	2.5	3.3	145	149.2	145.8	150
OR 150X2,5	150	2.5	3.3	150	154.2	150.8	155
OR 160X2,5	160	2.5	3.3	160	164.2	160.8	165

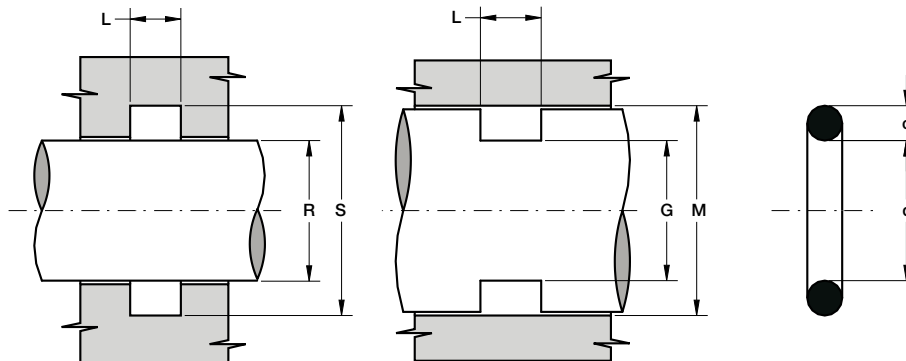
OR 3X3	3	3	4	3	8	4	9
OR 3,5X3	3.5	3	4	3.5	8.5	4.5	9.5
OR 4X3	4	3	4	4	9	5	10
OR 4,5X3	4.5	3	4	4.5	9.5	5.5	10.5
OR 5X3	5	3	4	5	10	6	11
OR 5,5X3	5.5	3	4	5.5	10.5	6.5	11.5
OR 6X3	6	3	4	6	11	7	12
OR 6,5X3	6.5	3	4	6.5	11.5	7.5	12.5
OR 7X3	7	3	4	7	12	8	13
OR 7,5X3	7.5	3	4	7.5	12.5	8.5	13.5
OR 8X3	8	3	4	8	13	9	14
OR 8,5X3	8.5	3	4	8.5	13.5	9.5	14.5
OR 9X3	9	3	4	9	14	10	15
OR 9,5X3	9.5	3	4	9.5	14.5	10.5	15.5
OR 10X3	10	3	4	10	15	11	16
OR 10,5X3	10.5	3	4	10	15	12	17
OR 11X3	11	3	4	11	16	12	17
OR 11,5X3	11.5	3	4	11	16	13	18
OR 12X3	12	3	4	12	17	13	18
OR 12,5X3	12.5	3	4	12	17	14	19

Cod. AS	d	c	L ^{+0.2}	R ^{f7}	S ^{H9}	G ^{h9}	M ^{H8}
OR 13X3	13	3	4	13	18	14	19
OR 13,5X3	13.5	3	4	13	18	15	20
OR 14X3	14	3	4	14	19	15	20
OR 14,5X3	14.5	3	4	14	19	16	21
OR 15X3	15	3	4	15	20	16	21
OR 15,5X3	15.5	3	4	15	20	17	22
OR 16X3	16	3	4	16	21	17	22
OR 16,5X3	16.5	3	4	16	21	18	23
OR 17X3	17	3	4	17	22	18	23
OR 17,5X3	17.5	3	4	17	22	19	24
OR 18X3	18	3	4	18	23	19	24
OR 18,5X3	18.5	3	4	18	23	20	25
OR 18,8X3	18.8	3	4	18	23	20	25
OR 19X3	19	3	4	19	24	20	25
OR 19,2X3	19.2	3	4	19	24	21	26
OR 19,5X3	19.5	3	4	19	24	21	26
OR 20X3	20	3	4	20	25	21	26
OR 20,5X3	20.5	3	4	20	25	22	27
OR 21X3	21	3	4	21	26	22	27
OR 21,5X3	21.5	3	4	21	26	23	28
OR 22X3	22	3	4	22	27	23	28
OR 22,2X3	22.2	3	4	22	27	24	29
OR 22,5X3	22.5	3	4	22	27	24	29
OR 23X3	23	3	4	23	28	24	29
OR 23,5X3	23.5	3	4	23	28	25	30
OR 24X3	24	3	4	24	29	25	30
OR 24,2X3	24.2	3	4	24	29	26	31
OR 24,5X3	24.5	3	4	24	29	26	31
OR 24,6X3	24.6	3	4	24	29	26	31



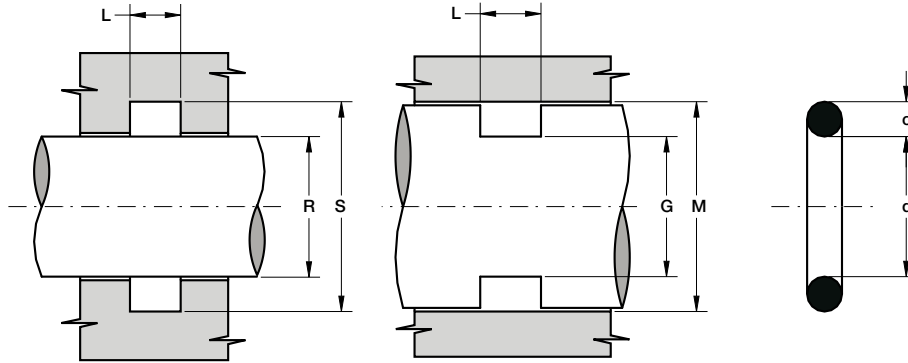
Cod. AS	d	c	L ^{+0.2}	R ^{f7}	S ^{H9}	G ^{h9}	M ^{H8}
OR 25X3	25	3	4	25	30	26	31
OR 25,5X3	25.5	3	4	25	30	27	32
OR 26X3	26	3	4	26	31	27	32
OR 26,2X3	26.2	3	4	26	31	28	33
OR 26,5X3	26.5	3	4	26	31	28	33
OR 27X3	27	3	4	27	32	28	33
OR 27,5X3	27.5	3	4	27	32	29	34
OR 27,5X3	27.5	3	4	27	32	29	34
OR 28X3	28	3	4	28	33	29	34
OR 28,5X3	28.5	3	4	28	33	30	35
OR 29X3	29	3	4	29	34	30	35
OR 29,2X3	29.2	3	4	29	34	31	36
OR 29,5X3	29.5	3	4	29	34	31	36
OR 30X3	30	3	4	30	35	31	36
OR 30,5X3	30.5	3	4	30	35	32	37
OR 31X3	31	3	4	31	36	32	37
OR 31,5X3	31.5	3	4	31	36	33	38
OR 32X3	32	3	4	32	37	33	38
OR 32,2X3	32.2	3	4	32	37	34	39
OR 32,5X3	32.5	3	4	32	37	34	39
OR 33X3	33	3	4	33	38	34	39
OR 33,5X3	33.5	3	4	33	38	35	40
OR 34X3	34	3	4	34	39	35	40
OR 34,2X3	34.2	3	4	34	39	36	41
OR 34,5X3	34.5	3	4	34	39	36	41
OR 35X3	35	3	4	35	40	36	41
OR 35,2X3	35.2	3	4	35	40	37	42
OR 35,5X3	35.5	3	4	35	40	37	42
OR 36X3	36	3	4	36	41	37	42

Cod. AS	d	c	L ^{+0.2}	R ^{f7}	S ^{H9}	G ^{h9}	M ^{H8}
OR 36,2X3	36.2	3	4	36	41	38	43
OR 36,5X3	36.5	3	4	36	41	38	43
OR 37X3	37	3	4	37	42	38	43
OR 37,47X3	37.47	3	4	37	42	39	44
OR 37,5X3	37.5	3	4	37	42	39	44
OR 38X3	38	3	4	38	43	39	44
OR 38,5X3	38.5	3	4	38	43	40	45
OR 39X3	39	3	4	39	44	40	45
OR 39,2X3	39.2	3	4	39	44	41	46
OR 39,5X3	39.5	3	4	39	44	41	46
OR 40X3	40	3	4	40	45	41	46
OR 41X3	41	3	4	41	46	42	47
OR 41,5X3	41.5	3	4	41	46	43	48
OR 42X3	42	3	4	42	47	43	48
OR 42,2X3	42.2	3	4	42	47	44	49
OR 42,5X3	42.5	3	4	42	47	44	49
OR 43X3	43	3	4	43	48	44	49
OR 43,69X3	43.69	3	4	43	48	45	50
OR 44X3	44	3	4	44	49	45	50
OR 44,2X3	44.2	3	4	44	49	46	51
OR 44,5X3	44.5	3	4	44	49	46	51
OR 45X3	45	3	4	45	50	46	51
OR 46X3	46	3	4	46	51	47	52
OR 47X3	47	3	4	47	52	48	53
OR 48X3	48	3	4	48	53	49	54
OR 49X3	49	3	4	49	54	50	55
OR 49,5X3	49.5	3	4	49	54	51	56
OR 50X3	50	3	4	50	55	51	56
OR 50,5X3	50.5	3	4	50	55	52	57



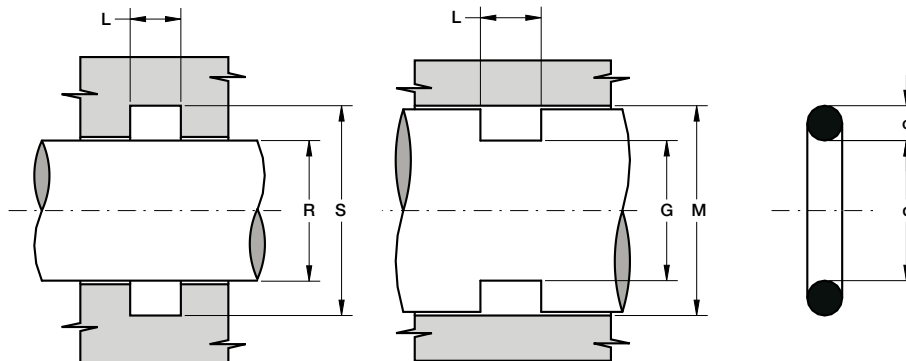
Cod. AS	d	c	L ^{+0.2}	R ^{f7}	S ^{H9}	G ^{h9}	M ^{H8}
OR 51X3	51	3	4	51	56	52	57
OR 52X3	52	3	4	52	57	53	58
OR 53X3	53	3	4	53	58	54	59
OR 53,09X3	53.09	3	4	53	58	55	60
OR 54X3	54	3	4	54	59	55	60
OR 54,5X3	54.5	3	4	54	59	56	61
OR 55X3	55	3	4	55	60	56	61
OR 56X3	56	3	4	56	61	57	62
OR 56,2X3	56.2	3	4	56	61	58	63
OR 57X3	57	3	4	57	62	58	63
OR 58X3	58	3	4	58	63	59	64
OR 59X3	59	3	4	59	64	60	65
OR 59,36X3	59.36	3	4	59	64	61	66
OR 59,5X3	59.5	3	4	59	64	61	66
OR 60X3	60	3	4	60	65	61	66
OR 61X3	61	3	4	61	66	62	67
OR 62X3	62	3	4	62	67	63	68
OR 63X3	63	3	4	63	68	64	69
OR 64X3	64	3	4	64	69	65	70
OR 64,5X3	64.5	3	4	64	69	66	71
OR 65X3	65	3	4	65	70	66	71
OR 66X3	66	3	4	66	71	67	72
OR 67X3	67	3	4	67	72	68	73
OR 68X3	68	3	4	68	73	69	74
OR 69X3	69	3	4	69	74	70	75
OR 69,5X3	69.5	3	4	69	74	71	76
OR 70X3	70	3	4	70	75	71	76
OR 71X3	71	3	4	71	76	72	77
OR 72X3	72	3	4	72	77	73	78

Cod. AS	d	c	L ^{+0.2}	R ^{f7}	S ^{H9}	G ^{h9}	M ^{H8}
OR 73X3	73	3	4	73	78	74	79
OR 74X3	74	3	4	74	79	75	80
OR 74,2X3	74.2	3	4	74	79	76	81
OR 74,5X3	74.5	3	4	74	79	76	81
OR 75X3	75	3	4	75	80	76	81
OR 76X3	76	3	4	76	81	77	82
OR 77X3	77	3	4	77	82	78	83
OR 78X3	78	3	4	78	83	79	84
OR 79X3	79	3	4	79	84	80	85
OR 79,2X3	79.2	3	4	79	84	81	86
OR 79,5X3	79.5	3	4	79	84	81	86
OR 80X3	80	3	4	80	85	81	86
OR 81X3	81	3	4	81	86	82	87
OR 82X3	82	3	4	82	87	83	88
OR 83X3	83	3	4	83	88	84	89
OR 84X3	84	3	4	84	89	85	90
OR 84,5X3	84.5	3	4	84	89	86	91
OR 85X3	85	3	4	85	90	86	91
OR 86X3	86	3	4	86	91	87	92
OR 87X3	87	3	4	87	92	88	93
OR 88X3	88	3	4	88	93	89	94
OR 89X3	89	3	4	89	94	90	95
OR 89,5X3	89.5	3	4	89	94	91	96
OR 90X3	90	3	4	90	95	91	96
OR 91X3	91	3	4	91	96	92	97
OR 92X3	92	3	4	92	97	93	98
OR 93X3	93	3	4	93	98	94	99
OR 94X3	94	3	4	94	99	95	100
OR 94,5X3	94.5	3	4	94	99	96	101



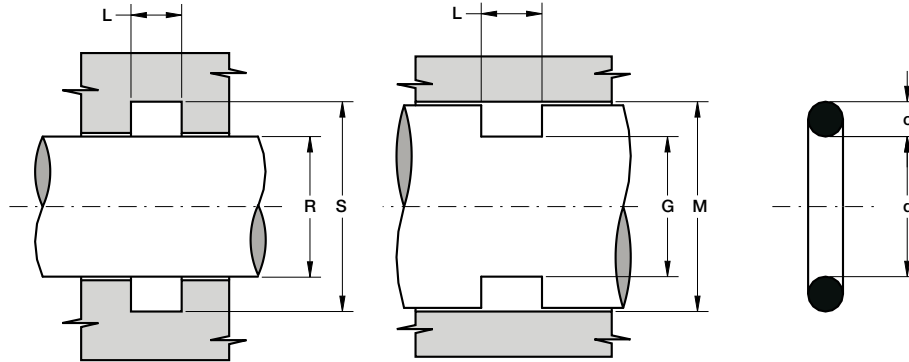
Cod. AS	d	c	L ^{+0.2}	R ^{f7}	S ^{H9}	G ^{h9}	M ^{H8}
OR 95X3	95	3	4	95	100	96	101
OR 96X3	96	3	4	96	101	97	102
OR 97X3	97	3	4	97	102	98	103
OR 98X3	98	3	4	98	103	99	104
OR 99X3	99	3	4	99	104	100	105
OR 99,5X3	99.5	3	4	99	104	101	106
OR 100X3	100	3	4	100	105	101	106
OR 102X3	102	3	4	102	107	103	108
OR 103X3	103	3	4	103	108	104	109
OR 104X3	104	3	4	104	109	105	110
OR 104,5X3	104.5	3	4	104	109	106	111
OR 105X3	105	3	4	105	110	106	111
OR 106X3	106	3	4	106	111	107	112
OR 108X3	108	3	4	108	113	109	114
OR 109X3	109	3	4	109	114	110	115
OR 109,5X3	109.5	3	4	109	114	111	116
OR 110X3	110	3	4	110	115	111	116
OR 112X3	112	3	4	112	117	113	118
OR 113X3	113	3	4	113	118	114	119
OR 114X3	114	3	4	114	119	115	120
OR 114,5X3	114.5	3	4	114	119	116	121
OR 115X3	115	3	4	115	120	116	121
OR 116X3	116	3	4	116	121	117	122
OR 118X3	118	3	4	118	123	119	124
OR 119X3	119	3	4	119	124	120	125
OR 119,5X3	119.5	3	4	119	124	121	126
OR 120X3	120	3	4	120	125	121	126
OR 122X3	122	3	4	122	127	123	128
OR 123X3	123	3	4	123	128	124	129

Cod. AS	d	c	L ^{+0.2}	R ^{f7}	S ^{H9}	G ^{h9}	M ^{H8}
OR 124X3	124	3	4	124	129	125	130
OR 124,5X3	124.5	3	4	124	129	126	131
OR 125X3	125	3	4	125	130	126	131
OR 126X3	126	3	4	126	131	127	132
OR 128X3	128	3	4	128	133	129	134
OR 129X3	129	3	4	129	134	130	135
OR 129,5X3	129.5	3	4	129	134	131	136
OR 130X3	130	3	4	130	135	131	136
OR 132X3	132	3	4	132	137	133	138
OR 134X3	134	3	4	134	139	135	140
OR 134,5X3	134.5	3	4	134	139	136	141
OR 135X3	135	3	4	135	140	136	141
OR 136X3	136	3	4	136	141	137	142
OR 137X3	137	3	4	137	142	138	143
OR 138X3	138	3	4	138	143	139	144
OR 139X3	139	3	4	139	144	140	145
OR 139,5X3	139.5	3	4	139	144	141	146
OR 140X3	140	3	4	140	145	141	146
OR 142X3	142	3	4	142	147	143	148
OR 143X3	143	3	4	143	148	144	149
OR 144X3	144	3	4	144	149	145	150
OR 144,5X3	144.5	3	4	144	149	146	151
OR 145X3	145	3	4	145	150	146	151
OR 147X3	147	3	4	147	152	148	153
OR 148X3	148	3	4	148	153	149	154
OR 149X3	149	3	4	149	154	150	155
OR 149,5X3	149.5	3	4	149	154	151	156
OR 150X3	150	3	4	150	155	151	156
OR 151X3	151	3	4	150	155	152	157



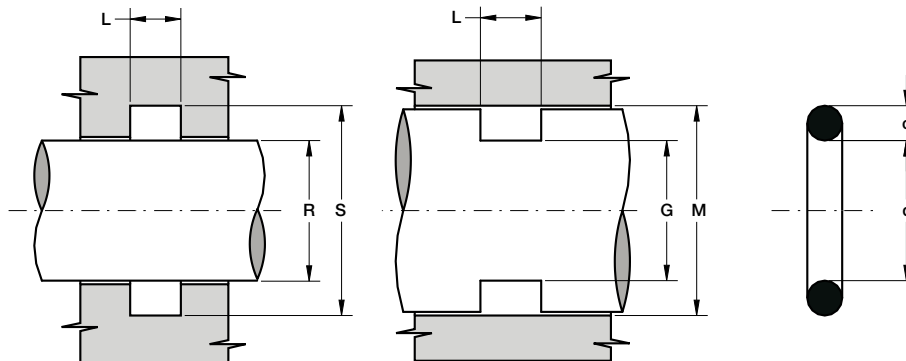
Cod. AS	d	c	L ^{+0.2}	R ^{f7}	S ^{H9}	G ^{h9}	M ^{H8}
OR 152X3	152	3	4	150	155	153	158
OR 154X3	154	3	4	150	155	155	160
OR 154,5X3	154.5	3	4	150	155	160	165
OR 160X3	160	3	4	160	165	165	170
OR 161X3	161	3	4	160	165	165	170
OR 164,5X3	164.5	3	4	160	165	170	175
OR 165X3	165	3	4	165	170	170	175
OR 168X3	168	3	4	165	170	170	175
OR 170X3	170	3	4	170	175	175	180
OR 174X3	174	3	4	170	175	175	180
OR 175X3	175	3	4	175	180	180	185
OR 178X3	178	3	4	175	180	180	185
OR 179X3	179	3	4	175	180	180	185
OR 184X3	184	3	4	180	185	185	190
OR 184,5X3	184.5	3	4	180	185	190	195
OR 190X3	190	3	4	190	195	195	200
OR 192X3	192	3	4	190	195	195	200
OR 194X3	194	3	4	190	195	195	200
OR 194,5X3	194.5	3	4	190	195	200	205
OR 197,5X3	197.5	3	4	195	200	200	205
OR 200X3	200	3	4	200	205	205	210
OR 206X3	206	3	4	205	210	210	215
OR 215X3	215	3	4	215	220	220	225
OR 220X3	220	3	4	220	225	225	230
OR 224X3	224	3	4	220	225	225	230
OR 228X3	228	3	4	225	230	230	235
OR 233X3	233	3	4	230	235	235	240
OR 235X3	235	3	4	235	240	240	245
OR 240X3	240	3	4	240	245	245	250

Cod. AS	d	c	L ^{+0.2}	R ^{f7}	S ^{H9}	G ^{h9}	M ^{H8}
OR 248X3	248	3	4	245	250	250	255
OR 251X3	251	3	4	250	255	255	260
OR 279X3	279	3	4	275	280	280	285
OR 280X3	280	3	4	280	285	285	290
OR 281X3	281	3	4	280	285	285	290
OR 285X3	285	3	4	285	290	290	295
OR 310X3	310	3	4	310	315	315	320
OR 340X3	340	3	4	340	345	345	350
OR 430X3	430	3	4	430	435	435	440
OR 450X3	450	3	4	450	455	455	460
OR 4X4	4	4	5.2	4	11	5	12
OR 5X4	5	4	5.2	5	12	6	13
OR 6X4	6	4	5.2	6	13	7	14
OR 7X4	7	4	5.2	7	14	8	15
OR 8X4	8	4	5.2	8	15	9	16
OR 9X4	9	4	5.2	9	16	10	17
OR 10X4	10	4	5.2	10	17	11	18
OR 11X4	11	4	5.2	11	18	12	19
OR 12X4	12	4	5.2	12	19	13	20
OR 13X4	13	4	5.2	13	20	14	21
OR 14X4	14	4	5.2	14	21	15	22
OR 15X4	15	4	5.2	15	22	16	23
OR 16X4	16	4	5.2	16	23	17	24
OR 17X4	17	4	5.2	17	24	18	25
OR 18X4	18	4	5.2	18	25	19	26
OR 19X4	19	4	5.2	19	26	20	27
OR 20X4	20	4	5.2	20	27	21	28
OR 21X4	21	4	5.2	21	28	22	29



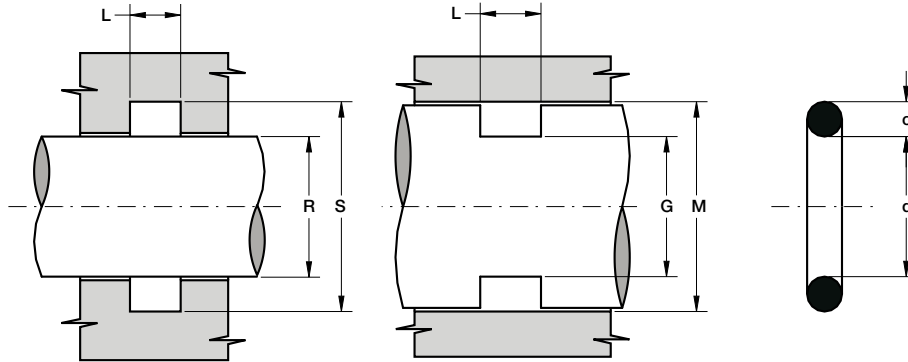
Cod. AS	d	c	L ^{+0.2}	R ^{f7}	S ^{H9}	G ^{h9}	M ^{H8}
OR 22X4	22	4	5.2	22	29	23	30
OR 23X4	23	4	5.2	23	30	24	31
OR 24X4	24	4	5.2	24	31	25	32
OR 25X4	25	4	5.2	25	32	26	33
OR 26X4	26	4	5.2	26	33	27	34
OR 27X4	27	4	5.2	27	34	28	35
OR 28X4	28	4	5.2	28	35	29	36
OR 29X4	29	4	5.2	29	36	30	37
OR 30X4	30	4	5.2	30	37	31	38
OR 31X4	31	4	5.2	31	38	32	39
OR 32X4	32	4	5.2	32	39	33	40
OR 33X4	33	4	5.2	33	40	34	41
OR 33,5X4	33.5	4	5.2	33	40	35	42
OR 34X4	34	4	5.2	34	41	35	42
OR 35X4	35	4	5.2	35	42	36	43
OR 36X4	36	4	5.2	36	43	37	44
OR 37X4	37	4	5.2	37	44	38	45
OR 38X4	38	4	5.2	38	45	39	46
OR 39X4	39	4	5.2	39	46	40	47
OR 40X4	40	4	5.2	40	47	41	48
OR 41X4	41	4	5.2	41	48	42	49
OR 42X4	42	4	5.2	42	49	43	50
OR 43X4	43	4	5.2	43	50	44	51
OR 44X4	44	4	5.2	44	51	45	52
OR 45X4	45	4	5.2	45	52	46	53
OR 46X4	46	4	5.2	46	53	47	54
OR 47X4	47	4	5.2	47	54	48	55
OR 48X4	48	4	5.2	48	55	49	56
OR 49X4	49	4	5.2	49	56	50	57

Cod. AS	d	c	L ^{+0.2}	R ^{f7}	S ^{H9}	G ^{h9}	M ^{H8}
OR 50X4	50	4	5.2	50	57	51	58
OR 51X4	51	4	5.2	51	58	52	59
OR 52X4	52	4	5.2	52	59	53	60
OR 53X4	53	4	5.2	53	60	54	61
OR 54X4	54	4	5.2	54	61	55	62
OR 55X4	55	4	5.2	55	62	56	63
OR 56X4	56	4	5.2	56	63	57	64
OR 57X4	57	4	5.2	57	64	58	65
OR 58X4	58	4	5.2	58	65	59	66
OR 59X4	59	4	5.2	59	66	60	67
OR 60X4	60	4	5.2	60	67	61	68
OR 61X4	61	4	5.2	61	68	62	69
OR 62X4	62	4	5.2	62	69	63	70
OR 63X4	63	4	5.2	63	70	64	71
OR 64X4	64	4	5.2	64	71	65	72
OR 65X4	65	4	5.2	65	72	66	73
OR 66X4	66	4	5.2	66	73	67	74
OR 67,5X4	67.5	4	5.2	67	74	69	76
OR 68X4	68	4	5.2	68	75	69	76
OR 69X4	69	4	5.2	69	76	70	77
OR 70X4	70	4	5.2	70	77	71	78
OR 71X4	71	4	5.2	71	78	72	79
OR 72X4	72	4	5.2	72	79	73	80
OR 72,5X4	72.5	4	5.2	72	79	74	81
OR 73X4	73	4	5.2	73	80	74	81
OR 74X4	74	4	5.2	74	81	75	82
OR 75X4	75	4	5.2	75	82	76	83
OR 76X4	76	4	5.2	76	83	77	84
OR 77X4	77	4	5.2	77	84	78	85



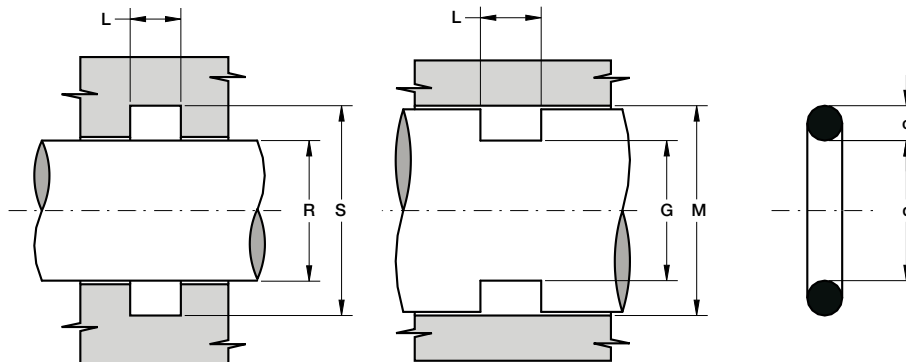
Cod. AS	d	c	L ^{+0.2}	R ^{f7}	S ^{H9}	G ^{h9}	M ^{H8}
OR 78X4	78	4	5.2	78	85	79	86
OR 79X4	79	4	5.2	79	86	80	87
OR 80X4	80	4	5.2	80	87	81	88
OR 81X4	81	4	5.2	81	88	82	89
OR 82X4	82	4	5.2	82	89	83	90
OR 83X4	83	4	5.2	83	90	84	91
OR 84X4	84	4	5.2	84	91	85	92
OR 85X4	85	4	5.2	85	92	86	93
OR 86X4	86	4	5.2	86	93	87	94
OR 87X4	87	4	5.2	87	94	88	95
OR 88X4	88	4	5.2	88	95	89	96
OR 89X4	89	4	5.2	89	96	90	97
OR 90X4	90	4	5.2	90	97	91	98
OR 91X4	91	4	5.2	91	98	92	99
OR 92X4	92	4	5.2	92	99	93	100
OR 93X4	93	4	5.2	93	100	94	101
OR 94X4	94	4	5.2	94	101	95	102
OR 95X4	95	4	5.2	95	102	96	103
OR 96X4	96	4	5.2	96	103	97	104
OR 97X4	97	4	5.2	97	104	98	105
OR 98X4	98	4	5.2	98	105	99	106
OR 99X4	99	4	5.2	99	106	100	107
OR 100X4	100	4	5.2	100	107	101	108
OR 102X4	102	4	5.2	102	109	103	110
OR 103X4	103	4	5.2	103	110	104	111
OR 104X4	104	4	5.2	104	111	105	112
OR 105X4	105	4	5.2	105	112	106	113
OR 106X4	106	4	5.2	106	113	107	114
OR 108X4	108	4	5.2	108	115	109	116

Cod. AS	d	c	L ^{+0.2}	R ^{f7}	S ^{H9}	G ^{h9}	M ^{H8}
OR 109X4	109	4	5.2	109	116	110	117
OR 110X4	110	4	5.2	110	117	111	118
OR 112X4	112	4	5.2	112	119	113	120
OR 114X4	114	4	5.2	114	121	115	122
OR 115X4	115	4	5.2	115	122	116	123
OR 117X4	117	4	5.2	117	124	118	125
OR 118X4	118	4	5.2	118	125	119	126
OR 119X4	119	4	5.2	119	126	120	127
OR 120X4	120	4	5.2	120	127	121	128
OR 122X4	122	4	5.2	122	129	123	130
OR 124X4	124	4	5.2	124	131	125	132
OR 125X4	125	4	5.2	125	132	126	133
OR 126X4	126	4	5.2	126	133	127	134
OR 127X4	127	4	5.2	127	134	128	135
OR 128X4	128	4	5.2	128	135	129	136
OR 129X4	129	4	5.2	129	136	130	137
OR 130X4	130	4	5.2	130	137	131	138
OR 131X4	131	4	5.2	131	138	132	139
OR 132X4	132	4	5.2	132	139	133	140
OR 133X4	133	4	5.2	133	140	134	141
OR 134X4	134	4	5.2	134	141	135	142
OR 135X4	135	4	5.2	135	142	136	143
OR 139X4	139	4	5.2	139	146	140	147
OR 140X4	140	4	5.2	140	147	141	148
OR 143X4	143	4	5.2	143	150	144	151
OR 144X4	144	4	5.2	144	151	145	152
OR 145X4	145	4	5.2	145	152	146	153
OR 146X4	146	4	5.2	146	153	147	154
OR 150X4	150	4	5.2	150	157	151	158



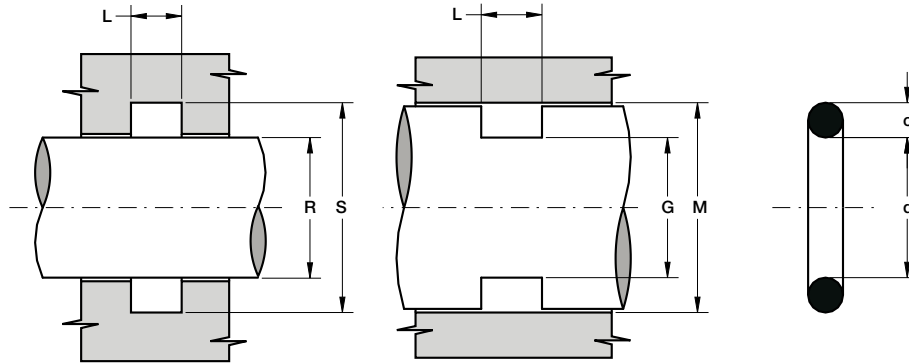
Cod. AS	d	c	L ^{+0.2}	R ^{f7}	S ^{H9}	G ^{h9}	M ^{H8}
OR 152X4	152	4	5.2	150	157	153	160
OR 158X4	158	4	5.2	155	162	163	170
OR 158,4X4	158.4	4	5.2	155	162	163	170
OR 160X4	160	4	5.2	160	167	163	170
OR 163X4	163	4	5.2	160	167	168	175
OR 165X4	165	4	5.2	165	172	168	175
OR 168X4	168	4	5.2	165	172	173	180
OR 170X4	170	4	5.2	170	177	173	180
OR 172X4	172	4	5.2	170	177	173	180
OR 173X4	173	4	5.2	170	177	178	185
OR 180X4	180	4	5.2	180	187	183	190
OR 188X4	188	4	5.2	185	192	193	200
OR 190X4	190	4	5.2	190	197	193	200
OR 192X4	192	4	5.2	190	197	193	200
OR 194X4	194	4	5.2	190	197	198	205
OR 205X4	205	4	5.2	205	212	208	215
OR 208X4	208	4	5.2	205	212	213	220
OR 210X4	210	4	5.2	210	217	213	220
OR 220X4	220	4	5.2	220	227	223	230
OR 225X4	225	4	5.2	225	232	228	235
OR 250X4	250	4	5.2	250	257	253	260
OR 255X4	255	4	5.2	255	262	258	265
OR 260X4	260	4	5.2	260	267	263	270
OR 262X4	262	4	5.2	260	267	263	270
OR 270X4	270	4	5.2	270	277	273	280
OR 293X4	293	4	5.2	290	297	298	305
OR 295X4	295	4	5.2	295	302	298	305
OR 296X4	296	4	5.2	295	302	298	305
OR 297X4	297	4	5.2	295	302	298	305

Cod. AS	d	c	L ^{+0.2}	R ^{f7}	S ^{H9}	G ^{h9}	M ^{H8}
OR 323X4	323	4	5.2	320	327	328	335
OR 335X4	335	4	5.2	335	342	338	345
OR 355X4	355	4	5.2	355	362	358	365
OR 15X4,5	15	4.5	5.8	15	22.8	16.2	24
OR 16X4,5	16	4.5	5.8	16	23.8	17.2	25
OR 20X4,5	20	4.5	5.8	20	27.8	21.2	29
OR 22X4,5	22	4.5	5.8	22	29.8	23.2	31
OR 23X4,5	23	4.5	5.8	23	30.8	24.2	32
OR 25X4,5	25	4.5	5.8	25	32.8	26.2	34
OR 27X4,5	27	4.5	5.8	27	34.8	28.2	36
OR 30X4,5	30	4.5	5.8	30	37.8	31.2	39
OR 31X4,5	31	4.5	5.8	31	38.8	32.2	40
OR 36X4,5	36	4.5	5.8	36	43.8	37.2	45
OR 57X4,5	57	4.5	5.8	57	64.8	58.2	66
OR 60X4,5	60	4.5	5.8	60	67.8	61.2	69
OR 70X4,5	70	4.5	5.8	70	77.8	71.2	79
OR 89X4,5	89	4.5	5.8	89	96.8	90.2	98
OR 150X4,5	150	4.5	5.8	150	157.8	151.2	159
OR 6X5	6	5	6.6	6	14.7	7.3	16
OR 8X5	8	5	6.6	8	16.7	9.3	18
OR 9X5	9	5	6.6	9	17.7	10.3	19
OR 10X5	10	5	6.6	10	18.7	11.3	20
OR 11X5	11	5	6.6	11	19.7	12.3	21
OR 12X5	12	5	6.6	12	20.7	13.3	22
OR 13X5	13	5	6.6	13	21.7	14.3	23
OR 14X5	14	5	6.6	14	22.7	15.3	24
OR 15X5	15	5	6.6	15	23.7	16.3	25



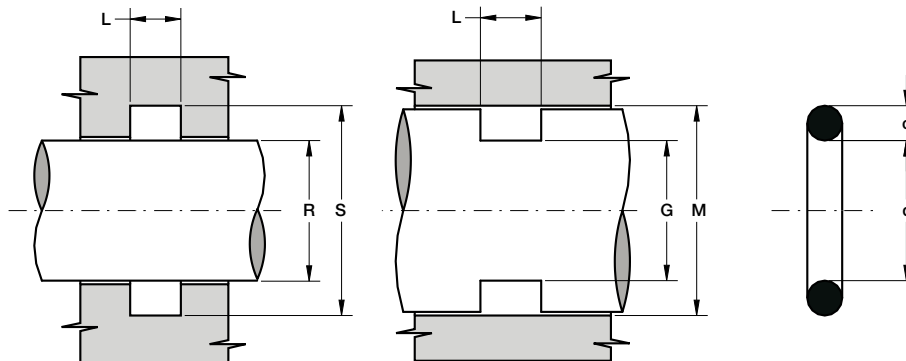
Cod. AS	d	c	L ^{+0.2}	R ^{f7}	S ^{H9}	G ^{h9}	M ^{H8}
OR 16X5	16	5	6.6	16	24.7	17.3	26
OR 17X5	17	5	6.6	17	25.7	18.3	27
OR 18X5	18	5	6.6	18	26.7	19.3	28
OR 19X5	19	5	6.6	19	27.7	20.3	29
OR 20X5	20	5	6.6	20	28.7	21.3	30
OR 21X5	21	5	6.6	21	29.7	22.3	31
OR 22X5	22	5	6.6	22	30.7	23.3	32
OR 23X5	23	5	6.6	23	31.7	24.3	33
OR 24X5	24	5	6.6	24	32.7	25.3	34
OR 25X5	25	5	6.6	25	33.7	26.3	35
OR 26X5	26	5	6.6	26	34.7	27.3	36
OR 27X5	27	5	6.6	27	35.7	28.3	37
OR 28X5	28	5	6.6	28	36.7	29.3	38
OR 29X5	29	5	6.6	29	37.7	30.3	39
OR 30X5	30	5	6.6	30	38.7	31.3	40
OR 31X5	31	5	6.6	31	39.7	32.3	41
OR 32X5	32	5	6.6	32	40.7	33.3	42
OR 33X5	33	5	6.6	33	41.7	34.3	43
OR 34X5	34	5	6.6	34	42.7	35.3	44
OR 35X5	35	5	6.6	35	43.7	36.3	45
OR 36X5	36	5	6.6	36	44.7	37.3	46
OR 37X5	37	5	6.6	37	45.7	38.3	47
OR 38X5	38	5	6.6	38	46.7	39.3	48
OR 39X5	39	5	6.6	39	47.7	40.3	49
OR 40X5	40	5	6.6	40	48.7	41.3	50
OR 41X5	41	5	6.6	41	49.7	42.3	51
OR 42X5	42	5	6.6	42	50.7	43.3	52
OR 43X5	43	5	6.6	43	51.7	44.3	53
OR 44X5	44	5	6.6	44	52.7	45.3	54

Cod. AS	d	c	L ^{+0.2}	R ^{f7}	S ^{H9}	G ^{h9}	M ^{H8}
OR 45X5	45	5	6.6	45	53.7	46.3	55
OR 46X5	46	5	6.6	46	54.7	47.3	56
OR 47X5	47	5	6.6	47	55.7	48.3	57
OR 48X5	48	5	6.6	48	56.7	49.3	58
OR 50X5	50	5	6.6	50	58.7	51.3	60
OR 51X5	51	5	6.6	51	59.7	52.3	61
OR 52X5	52	5	6.6	52	60.7	53.3	62
OR 53X5	53	5	6.6	53	61.7	54.3	63
OR 54X5	54	5	6.6	54	62.7	55.3	64
OR 55X5	55	5	6.6	55	63.7	56.3	65
OR 57X5	57	5	6.6	57	65.7	58.3	67
OR 58X5	58	5	6.6	58	66.7	59.3	68
OR 59X5	59	5	6.6	59	67.7	60.3	69
OR 60X5	60	5	6.6	60	68.7	61.3	70
OR 61X5	61	5	6.6	61	69.7	62.3	71
OR 62X5	62	5	6.6	62	70.7	63.3	72
OR 63X5	63	5	6.6	63	71.7	64.3	73
OR 65X5	65	5	6.6	65	73.7	66.3	75
OR 66X5	66	5	6.6	66	74.7	67.3	76
OR 67X5	67	5	6.6	67	75.7	68.3	77
OR 68X5	68	5	6.6	68	76.7	69.3	78
OR 70X5	70	5	6.6	70	78.7	71.3	80
OR 71X5	71	5	6.6	71	79.7	72.3	81
OR 72X5	72	5	6.6	72	80.7	73.3	82
OR 74X5	74	5	6.6	74	82.7	75.3	84
OR 75X5	75	5	6.6	75	83.7	76.3	85
OR 76X5	76	5	6.6	76	84.7	77.3	86
OR 77X5	77	5	6.6	77	85.7	78.3	87
OR 78X5	78	5	6.6	78	86.7	79.3	88



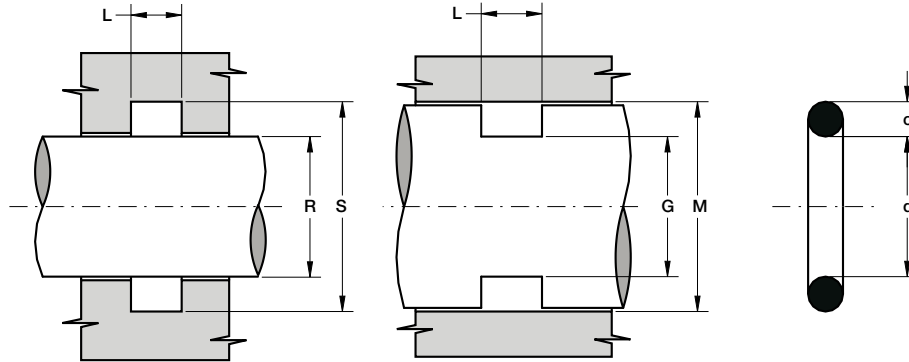
Cod. AS	d	c	L ^{+0.2}	R ^{f7}	S ^{H9}	G ^{h9}	M ^{H8}
OR 79X5	79	5	6.6	79	87.7	80.3	89
OR 80X5	80	5	6.6	80	88.7	81.3	90
OR 84X5	84	5	6.6	84	92.7	85.3	94
OR 85X5	85	5	6.6	85	93.7	86.3	95
OR 86X5	86	5	6.6	86	94.7	87.3	96
OR 87X5	87	5	6.6	87	95.7	88.3	97
OR 88X5	88	5	6.6	88	96.7	89.3	98
OR 90X5	90	5	6.6	90	98.7	91.3	100
OR 91X5	91	5	6.6	91	99.7	92.3	101
OR 93X5	93	5	6.6	93	101.7	94.3	103
OR 95X5	95	5	6.6	95	103.7	96.3	105
OR 96X5	96	5	6.6	96	104.7	97.3	106
OR 97X5	97	5	6.6	97	105.7	98.3	107
OR 98X5	98	5	6.6	98	106.7	99.3	108
OR 100X5	100	5	6.6	100	108.7	101.3	110
OR 105X5	105	5	6.6	105	113.7	106.3	115
OR 112X5	112	5	6.6	112	120.7	113.3	122
OR 115X5	115	5	6.6	115	123.7	116.3	125
OR 116X5	116	5	6.6	116	124.7	117.3	126
OR 118X5	118	5	6.6	118	126.7	119.3	128
OR 120X5	120	5	6.6	120	128.7	121.3	130
OR 122X5	122	5	6.6	122	130.7	123.3	132
OR 125X5	125	5	6.6	125	133.7	126.3	135
OR 132X5	132	5	6.6	132	140.7	133.3	142
OR 135X5	135	5	6.6	135	143.7	136.3	145
OR 140X5	140	5	6.6	140	148.7	141.3	150
OR 145X5	145	5	6.6	145	153.7	146.3	155
OR 148X5	148	5	6.6	148	156.7	149.3	158
OR 160X5	160	5	6.6	160	168.7	161.3	170

Cod. AS	d	c	L ^{+0.2}	R ^{f7}	S ^{H9}	G ^{h9}	M ^{H8}
OR 164X5	164	5	6.6	160	168.7	166.3	175
OR 165X5	165	5	6.6	165	173.7	166.3	175
OR 170X5	170	5	6.6	170	178.7	171.3	180
OR 175X5	175	5	6.6	175	183.7	176.3	185
OR 180X5	180	5	6.6	180	188.7	181.3	190
OR 182X5	182	5	6.6	180	188.7	186.3	195
OR 185X5	185	5	6.6	185	193.7	186.3	195
OR 190X5	190	5	6.6	190	198.7	191.3	200
OR 196X5	196	5	6.6	195	203.7	201.3	210
OR 204X5	204	5	6.6	200	208.7	206.3	215
OR 205X5	205	5	6.6	205	213.7	206.3	215
OR 210X5	210	5	6.6	210	218.7	211.3	220
OR 215X5	215	5	6.6	215	223.7	216.3	225
OR 220X5	220	5	6.6	220	228.7	221.3	230
OR 225X5	225	5	6.6	225	233.7	226.3	235
OR 230X5	230	5	6.6	230	238.7	231.3	240
OR 234X5	234	5	6.6	230	238.7	236.3	245
OR 240X5	240	5	6.6	240	248.7	241.3	250
OR 245X5	245	5	6.6	245	253.7	246.3	255
OR 250X5	250	5	6.6	250	258.7	251.3	260
OR 255X5	255	5	6.6	255	263.7	256.3	265
OR 260X5	260	5	6.6	260	268.7	261.3	270
OR 270X5	270	5	6.6	270	278.7	271.3	280
OR 280X5	280	5	6.6	280	288.7	281.3	290
OR 290X5	290	5	6.6	290	298.7	291.3	300
OR 295X5	295	5	6.6	295	303.7	296.3	305
OR 307X5	307	5	6.6	305	313.7	311.3	320
OR 310X5	310	5	6.6	310	318.7	311.3	320
OR 315X5	315	5	6.6	315	323.7	316.3	325



Cod. AS	d	c	L ^{+0.2}	R ^{f7}	S ^{H9}	G ^{h9}	M ^{H8}
OR 350X5	350	5	6.6	350	358.7	351.3	360
OR 520X5	520	5	6.6	520	528.7	521.3	530
OR 41,2X5,7	41.2	5.7	7.2	41	51	43	53
OR 44,2X5,7	44.2	5.7	7.2	44	54	46	56
OR 44,3X5,7	44.3	5.7	7.2	44	54	46	56
OR 45,3X5,7	45.3	5.7	7.2	45	55	47	57
OR 49,2X5,7	49.2	5.7	7.2	49	59	51	61
OR 52,3X5,7	52.3	5.7	7.2	52	62	54	64
OR 52,5X5,7	52.5	5.7	7.2	52	62	54	64
OR 54,2X5,7	54.2	5.7	7.2	54	64	56	66
OR 54,3X5,7	54.3	5.7	7.2	54	64	56	66
OR 55,3X5,7	55.3	5.7	7.2	55	65	57	67
OR 57,2X5,7	57.2	5.7	7.2	57	67	59	69
OR 59,2X5,7	59.2	5.7	7.2	59	69	61	71
OR 59,7X5,7	59.7	5.7	7.2	59	69	62	72
OR 62,3X5,7	62.3	5.7	7.2	62	72	64	74
OR 64,2X5,7	64.2	5.7	7.2	64	74	66	76
OR 64,3X5,7	64.3	5.7	7.2	64	74	66	76
OR 69X5,7	69	5.7	7.2	69	79	71	81
OR 69,2X5,7	69.2	5.7	7.2	69	79	71	81
OR 69,3X5,7	69.3	5.7	7.2	69	79	71	81
OR 74,3X5,7	74.3	5.7	7.2	74	84	76	86
OR 79X5,7	79	5.7	7.2	79	89	81	91
OR 79,3X5,7	79.3	5.7	7.2	79	89	81	91
OR 84,3X5,7	84.3	5.7	7.2	84	94	86	96
OR 89X5,7	89	5.7	7.2	89	99	91	101
OR 89,1X5,7	89.1	5.7	7.2	89	99	91	101
OR 89,3X5,7	89.3	5.7	7.2	89	99	91	101

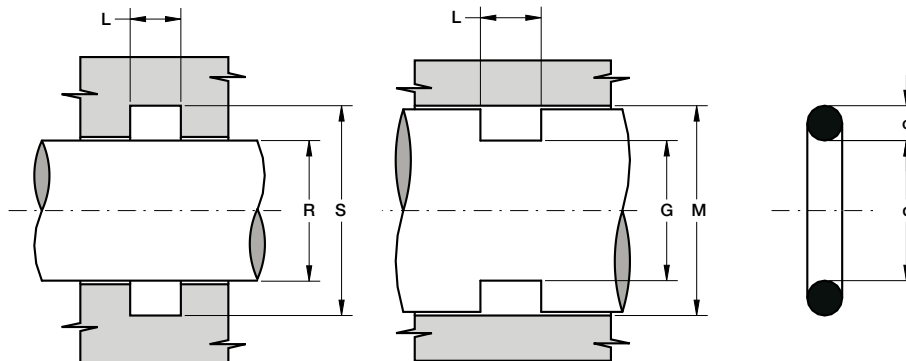
Cod. AS	d	c	L ^{+0.2}	R ^{f7}	S ^{H9}	G ^{h9}	M ^{H8}
OR 94,3X5,7	94.3	5.7	7.2	94	104	96	106
OR 99X5,7	99	5.7	7.2	99	109	101	111
OR 99,3X5,7	99.3	5.7	7.2	99	109	101	111
OR 104X5,7	104	5.7	7.2	104	114	106	116
OR 104,3X5,7	104.3	5.7	7.2	104	114	106	116
OR 109X5,7	109	5.7	7.2	109	119	111	121
OR 109,3X5,7	109.3	5.7	7.2	109	119	111	121
OR 114,3X5,7	114.3	5.7	7.2	114	124	116	126
OR 119X5,7	119	5.7	7.2	119	129	121	131
OR 119,3X5,7	119.3	5.7	7.2	119	129	121	131
OR 124X5,7	124	5.7	7.2	124	134	126	136
OR 124,3X5,7	124.3	5.7	7.2	124	134	126	136
OR 129X5,7	129	5.7	7.2	129	139	131	141
OR 129,3X5,7	129.3	5.7	7.2	129	139	131	141
OR 134,3X5,7	134.3	5.7	7.2	134	144	136	146
OR 139,3X5,7	139.3	5.7	7.2	139	149	141	151
OR 139,5X5,7	139.5	5.7	7.2	139	149	141	151
OR 144,3X5,7	144.3	5.7	7.2	144	154	146	156
OR 149,3X5,7	149.3	5.7	7.2	149	159	151	161
OR 154,3X5,7	154.3	5.7	7.2	150	160	160	170
OR 159,3X5,7	159.3	5.7	7.2	155	165	165	175
OR 164,3X5,7	164.3	5.7	7.2	160	170	170	180
OR 169,3X5,7	169.3	5.7	7.2	165	175	175	185
OR 174,3X5,7	174.3	5.7	7.2	170	180	180	190
OR 179,3X5,7	179.3	5.7	7.2	175	185	185	195
OR 184,3X5,7	184.3	5.7	7.2	180	190	190	200
OR 189,3X5,7	189.3	5.7	7.2	185	195	195	205
OR 194,3X5,7	194.3	5.7	7.2	190	200	200	210
OR 199,3X5,7	199.3	5.7	7.2	195	205	205	215



Cod. AS	d	c	L ^{+0.2}	R ^{f7}	S ^{H9}	G ^{h9}	M ^{H8}
OR 209,3X5,7	209.3	5.7	7.2	205	215	215	225
OR 219,3X5,7	219.3	5.7	7.2	215	225	225	235
OR 229,3X5,7	229.3	5.7	7.2	225	235	235	245
OR 230X5,7	230	5.7	7.2	230	240	235	245
OR 239,3X5,7	239.3	5.7	7.2	235	245	245	255
OR 249,3X5,7	249.3	5.7	7.2	245	255	255	265
OR 259,3X5,7	259.3	5.7	7.2	255	265	265	275
OR 269,3X5,7	269.3	5.7	7.2	265	275	275	285
OR 279,3X5,7	279.3	5.7	7.2	275	285	285	295
OR 289,3X5,7	289.3	5.7	7.2	285	295	295	305
OR 299,3X5,7	299.3	5.7	7.2	295	305	305	315
OR 319,3X5,7	319.3	5.7	7.2	315	325	325	335
OR 329,3X5,7	329.3	5.7	7.2	325	335	335	345
OR 339,3X5,7	339.3	5.7	7.2	335	345	345	355
OR 359,3X5,7	359.3	5.7	7.2	355	365	365	375
OR 379,3X5,7	379.3	5.7	7.2	375	385	385	395
OR 399,3X5,7	399.3	5.7	7.2	395	405	405	415
OR 419,3X5,7	419.3	5.7	7.2	415	425	425	435
OR 439,3X5,7	439.3	5.7	7.2	435	445	445	455
OR 499,3X5,7	499.3	5.7	7.2	495	505	505	515

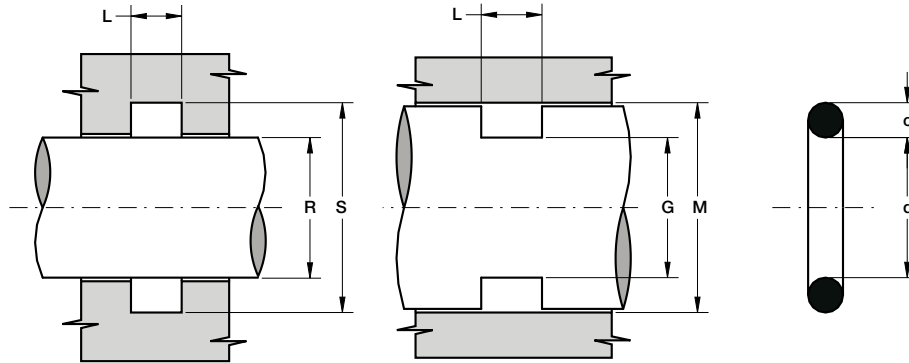
OR 10X6	10	6	7.4	10	20.5	11.5	22
OR 11X6	11	6	7.4	11	21.5	12.5	23
OR 12X6	12	6	7.4	12	22.5	13.5	24
OR 13X6	13	6	7.4	13	23.5	14.5	25
OR 16X6	16	6	7.4	16	26.5	17.5	28
OR 18X6	18	6	7.4	18	28.5	19.5	30
OR 20X6	20	6	7.4	20	30.5	21.5	32
OR 21X6	21	6	7.4	21	31.5	22.5	33

Cod. AS	d	c	L ^{+0.2}	R ^{f7}	S ^{H9}	G ^{h9}	M ^{H8}
OR 23X6	23	6	7.4	23	33.5	24.5	35
OR 24X6	24	6	7.4	24	34.5	25.5	36
OR 25X6	25	6	7.4	25	35.5	26.5	37
OR 26X6	26	6	7.4	26	36.5	27.5	38
OR 27X6	27	6	7.4	27	37.5	28.5	39
OR 28X6	28	6	7.4	28	38.5	29.5	40
OR 30X6	30	6	7.4	30	40.5	31.5	42
OR 32X6	32	6	7.4	32	42.5	33.5	44
OR 34X6	34	6	7.4	34	44.5	35.5	46
OR 36X6	36	6	7.4	36	46.5	37.5	48
OR 38X6	38	6	7.4	38	48.5	39.5	50
OR 40X6	40	6	7.4	40	50.5	41.5	52
OR 41X6	41	6	7.4	41	51.5	42.5	53
OR 43X6	43	6	7.4	43	53.5	44.5	55
OR 45X6	45	6	7.4	45	55.5	46.5	57
OR 46X6	46	6	7.4	46	56.5	47.5	58
OR 47X6	47	6	7.4	47	57.5	48.5	59
OR 48X6	48	6	7.4	48	58.5	49.5	60
OR 50X6	50	6	7.4	50	60.5	51.5	62
OR 51X6	51	6	7.4	51	61.5	52.5	63
OR 52X6	52	6	7.4	52	62.5	53.5	64
OR 53X6	53	6	7.4	53	63.5	54.5	65
OR 55X6	55	6	7.4	55	65.5	56.5	67
OR 58X6	58	6	7.4	58	68.5	59.5	70
OR 59X6	59	6	7.4	59	69.5	60.5	71
OR 59,5X6	59.5	6	7.4	59	69.5	61.5	72
OR 60X6	60	6	7.4	60	70.5	61.5	72
OR 63X6	63	6	7.4	63	73.5	64.5	75
OR 65X6	65	6	7.4	65	75.5	66.5	77



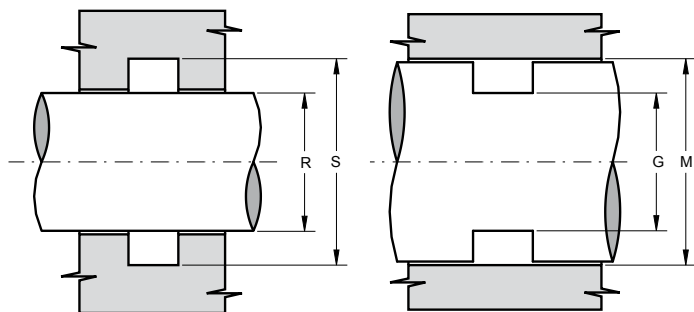
Cod. AS	d	c	L ^{+0.2}	R ^{f7}	S ^{H9}	G ^{h9}	M ^{H8}
OR 68X6	68	6	7.4	68	78.5	69.5	80
OR 73X6	73	6	7.4	73	83.5	74.5	85
OR 74X6	74	6	7.4	74	84.5	75.5	86
OR 75X6	75	6	7.4	75	85.5	76.5	87
OR 76X6	76	6	7.4	76	86.5	77.5	88
OR 78X6	78	6	7.4	78	88.5	79.5	90
OR 79X6	79	6	7.4	79	89.5	80.5	91
OR 80X6	80	6	7.4	80	90.5	81.5	92
OR 84X6	84	6	7.4	84	94.5	85.5	96
OR 85X6	85	6	7.4	85	95.5	86.5	97
OR 86X6	86	6	7.4	86	96.5	87.5	98
OR 88X6	88	6	7.4	88	98.5	89.5	100
OR 90X6	90	6	7.4	90	100.5	91.5	102
OR 94X6	94	6	7.4	94	104.5	95.5	106
OR 95X6	95	6	7.4	95	105.5	96.5	107
OR 98X6	98	6	7.4	98	108.5	99.5	110
OR 100X6	100	6	7.4	100	110.5	101.5	112
OR 101X6	101	6	7.4	101	111.5	102.5	113
OR 105X6	105	6	7.4	105	115.5	106.5	117
OR 106X6	106	6	7.4	106	116.5	107.5	118
OR 108X6	108	6	7.4	108	118.5	109.5	120
OR 110X6	110	6	7.4	110	120.5	111.5	122
OR 115X6	115	6	7.4	115	125.5	116.5	127
OR 118X6	118	6	7.4	118	128.5	119.5	130
OR 130X6	130	6	7.4	130	140.5	131.5	142
OR 135X6	135	6	7.4	135	145.5	136.5	147
OR 138X6	138	6	7.4	138	148.5	139.5	150
OR 138X6	138	6	7.4	138	148.5	139.5	150
OR 153X6	153	6	7.4	150	160.5	154.5	165

Cod. AS	d	c	L ^{+0.2}	R ^{f7}	S ^{H9}	G ^{h9}	M ^{H8}
OR 158X6	158	6	7.4	155	165.5	159.5	170
OR 170X6	170	6	7.4	170	180.5	174.5	185
OR 180X6	180	6	7.4	180	190.5	184.5	195
OR 190X6	190	6	7.4	190	200.5	194.5	205
OR 220X6	220	6	7.4	220	230.5	224.5	235
OR 340X6	340	6	7.4	340	350.5	344.5	355
OR 380X6	380	6	7.4	380	390.5	384.5	395
OR 70X8	70	8	9.8	70	84	72	86
OR 80X8	80	8	9.8	80	94	82	96
OR 136X8	136	8	9.8	136	150	138	152
OR 160X8	160	8	9.8	160	174	166	180
OR 305X8	305	8	9.8	305	319	311	325
OR 327X8	327	8	9.8	325	339	331	345
OR 450X8	450	8	9.8	450	464	456	470
OR 75X10	75	10	11.6	75	92.6	77.4	95
OR 85X10	85	10	11.6	85	102.6	87.4	105
OR 100X10	100	10	11.6	100	117.6	102.4	120
OR 150X10	150	10	11.6	150	167.6	152.4	170
OR 160X10	160	10	11.6	160	177.6	162.4	180
OR 164X10	164	10	11.6	160	177.6	167.4	185
OR 185X10	185	10	11.6	185	202.6	187.4	205
OR 255X10	255	10	11.6	255	272.6	257.4	275
OR 280X10	280	10	11.6	280	297.6	282.4	300
OR 623X10	623	10	11.6	620	637.6	627.4	645



Other sizes not present in the above table can be provided, depending on the O-Ring chord “c”, in accordance to the following scheme:

c	L			Radial Section (S-R)/2 or (M-G)/2	S	G
	without anti-extrusion ring	with 1 anti-extrusion ring	with 2 anti-extrusion rings			
1	1.4	-	-	0.7	R+1.4	M-1.4
1.5	2	-	-	1.2	R+2.4	M-2.4
1.6	2.1	3.1	4.1	1.25	R+2.5	M-2.5
1.78	2.5	4	5.5	1.55	R+3.1	M-3.1
2	2.7	4.1	5.5	1.65	R+3.3	M-3.3
2.4	3.2	4.6	6	2	R+4	M-4
2.5	3.3	4.7	6.1	2.1	R+4.2	M-4.2
2.62	3.5	5	6.5	2.25	R+4.5	M-4.5
3	4	5.4	6.8	2.5	R+5	M-5
3.53	4.5	6	7.5	3.1	R+6.2	M-6.2
4	5.2	6.9	8.6	3.5	R+7	M-7
4.5	5.8	7.5	9.2	3.9	R+7.8	M-7.8
5	6.6	8.3	10	4.35	R+8.7	M-8.7
5.34	7	9	10.5	4.7	R+9.4	M-9.4
5.7	7.2	8.9	10.6	5	R+10	M-10
6	7.4	9.1	10.8	5.25	R+10.5	M-10.5
6.99	9.5	12	14.5	6.1	R+12.2	M-12.2
8	9.8	12.3	14.8	7	R+14	M-14
10	11.6	14.1	16.6	8.8	R+17.6	M-17.6



DESCRIPTION

Uncut antiextrusion ring for standard O-Ring

MATERIAL

Type: Thermoplastic polyester resin
 Designation: SEALITE 55
 Hardness: 55 °ShD

MAIN FEATURES

The function of ring type AP is to avoid the extrusion and damage of the O-Ring that normally occurs in the presence of large gaps or high pressure.

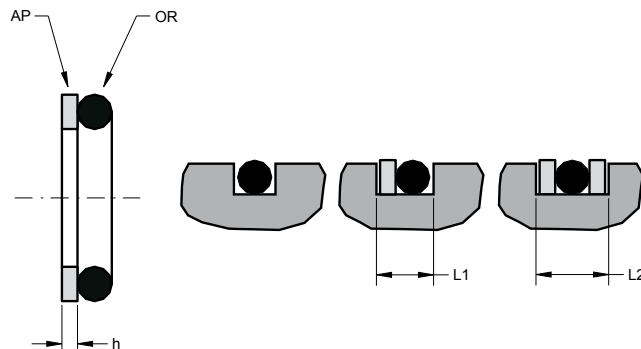
If pressure arises on only one side of the O-Ring, it will suffice to fit one antiextrusion ring on the unexposed side. Two backup rings are necessary if the pressure rises on both sides.

The AP ring hasn't a cut or spiral shape (typical of PTFE backup rings) that could help damage the O-Ring especially in the presence of high pressure.

Thanks to its elasticity, it can be installed very easily in a short time and without any auxiliaries.

The material used is a medium modulus thermoplastic polyester resin, mainly used in the manufacturing of antiextrusion rings, that ensures an extra measure of performance and service life.

- Very high resistance against extrusion
- Uncut piece to avoid O-Ring damage
- Low cost solution
- Extended service life of sealing components
- Excellent wear-resistance
- No close tolerances are necessary
- Good temperature resistance
- Easy installation without expensive auxiliaries



FIELD OF APPLICATION

Pressure	See table below
Speed	≤ 0.8 m/s
Temperature	-40°C ÷ +140°C
Fluids	Hydraulic oils (mineral oil based).
	<i>For other fluids contact our technical department</i>

MAX. PRESSURE [BAR]

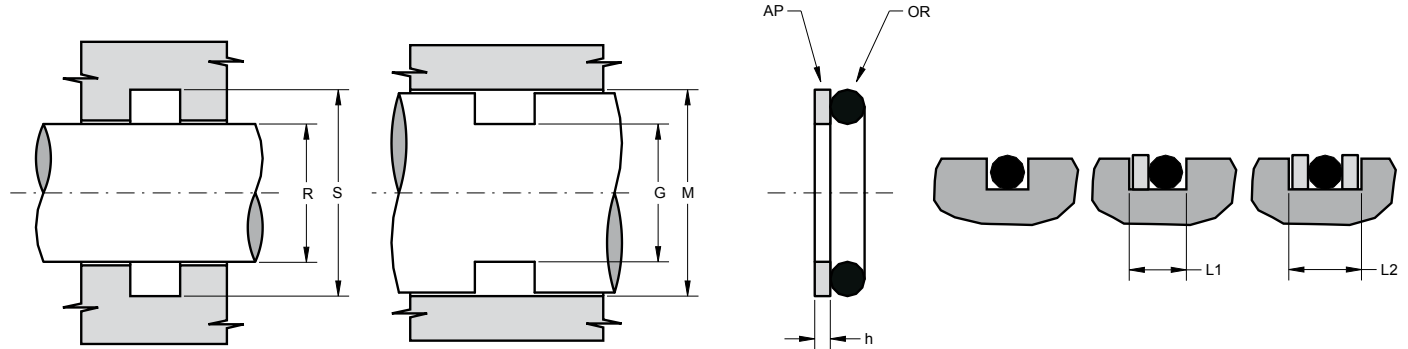
GAP	NBR 70	NBR 90	AP
[mm]	[bar]	[bar]	[bar]
0,05	190	330	500
0,10	130	270	400
0,15	110	230	350
0,20	100	210	300
0,25	90	190	270
0,30	80	170	240
0,35	75	160	220

NB: for the Gap calculation, it is necessary to consider the elastic deformation of metal elements under pressure loads.

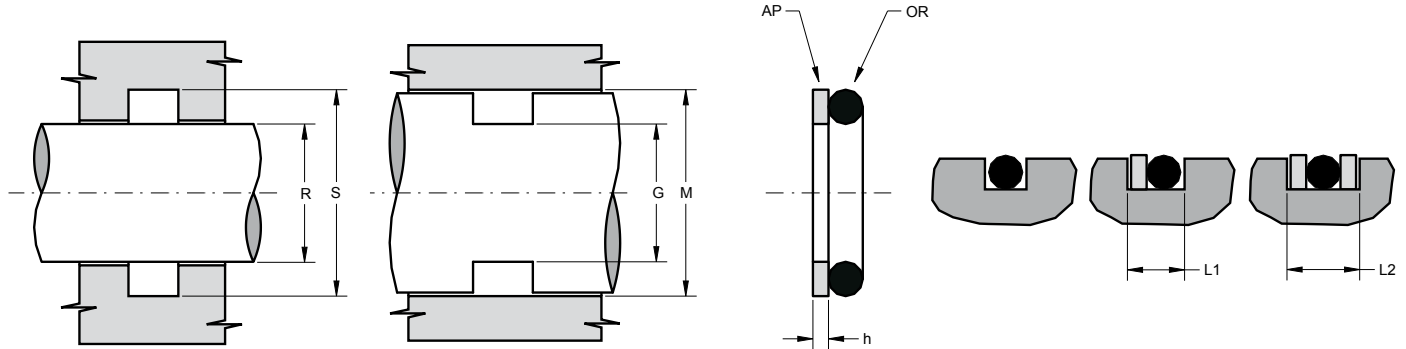
SURFACE ROUGHNESS

Dynamic surface	Ra ≤ 0.3 μm	Rt ≤ 2.5 μm
Static surface	Ra ≤ 1.6 μm	Rt ≤ 6.3 μm

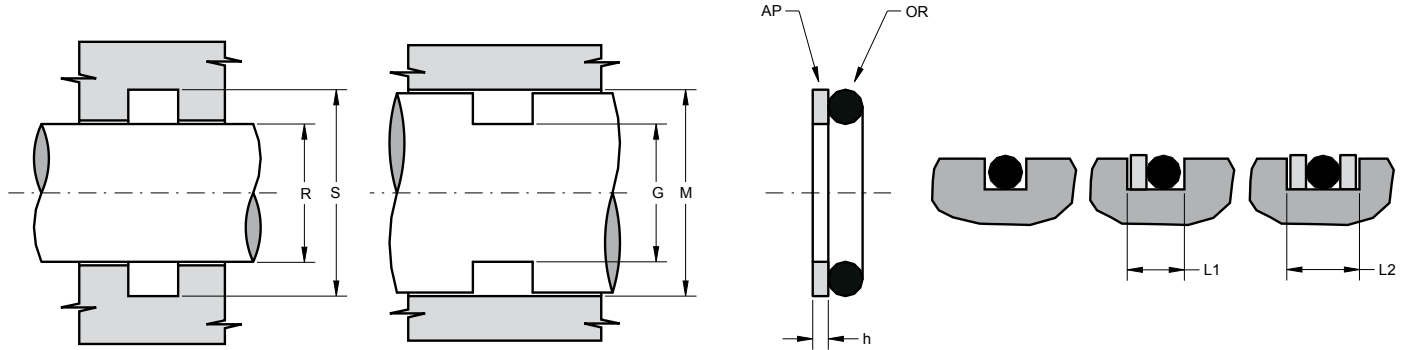
- Before assembly good cleanliness and lubrication are recommended



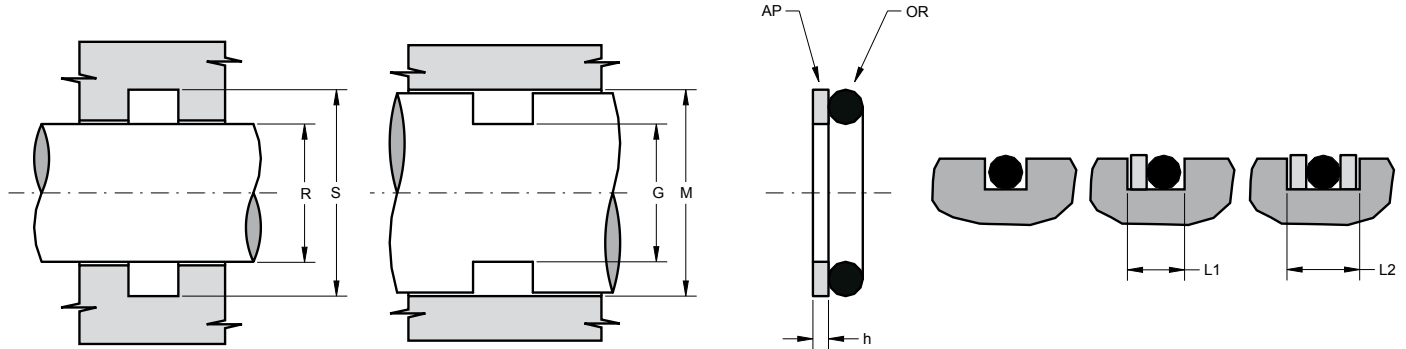
Part.	O-Ring	h	R ¹⁷	S ^{H9}	G ^{H9}	M ^{H8}	L1 ^{+0.2}	L2 ^{+0.2}
AP 010/610	OR 010 (6.07 x 1.78)	1.4	6	9.1	6.9	10	4	5.5
AP 010/610	OR 610 (6.75 x 1.78)	1.4	7	10.1	6.9	10	4	5.5
AP 011	OR 011 (7.65 x 1.78)	1.4	8	11.1	7.9	11	4	5.5
AP 012	OR 012 (9.25 x 1.78)	1.4	9	12.1	9.9	13	4	5.5
AP 013	OR 013 (10.82 x 1.78)	1.4	11	14.1	10.9	14	4	5.5
AP 014	OR 014 (12.42 x 1.78)	1.4	13	16.1	12.9	16	4	5.5
AP 015	OR 015 (14 x 1.78)	1.4	14	17.1	14.9	18	4	5.5
AP 016	OR 016 (15.6 x 1.78)	1.4	16	19.1	15.9	19	4	5.5
AP 017	OR 017 (17.17 x 1.78)	1.4	17	20.1	17.9	21	4	5.5
AP 018	OR 018 (18.77 x 1.78)	1.4	19	22.1	18.9	22	4	5.5
AP 019	OR 019 (20.35 x 1.78)	1.4	21	24.1	20.9	24	4	5.5
AP 020	OR 020 (21.95 x 1.78)	1.4	22	25.1	22.9	26	4	5.5
AP 022	OR 022 (25.12 x 1.78)	1.4	25	28.1	25.9	29	4	5.5
AP 023	OR 023 (26.7 x 1.78)	1.4	27	30.1	26.9	30	4	5.5
AP 024	OR 024 (28.3 x 1.78)	1.4	28	31.1	28.9	32	4	5.5
AP 025	OR 025 (29.87 x 1.78)	1.4	30	33.1	29.9	33	4	5.5
AP 026	OR 026 (31.47 x 1.78)	1.4	32	35.1	31.9	35	4	5.5
AP 029	OR 029 (37.82 x 1.78)	1.4	38	41.1	37.9	41	4	5.5
AP 032	OR 032 (47.35 x 1.78)	1.4	48	51.1	47.9	51	4	5.5
AP 109	OR 109 (7.6 x 2.62)	1.4	8	12.5	8.5	13	5	6.5
AP 110/613	OR 110 (9.19 x 2.62)	1.4	9	13.5	10.5	15	5	6.5
AP 110/613	OR 613 (9.92 x 2.62)	1.4	10	14.5	10.5	15	5	6.5
AP 111	OR 111 (10.77 x 2.62)	1.4	11	15.5	11.5	16	5	6.5
AP 614	OR 614 (11.91 x 2.62)	1.4	12	16.5	12.5	17	5	6.5
AP 112	OR 112 (12.37 x 2.62)	1.4	12.5	17	13.5	18	5	6.5
AP 113	OR 113 (13.94 x 2.62)	1.4	14	18.5	14.5	19	5	6.5
AP 616	OR 616 (15.08 x 2.62)	1.4	15	19.5	15.5	20	5	6.5
AP 114/809	OR 114 (15.54 x 2.62)	1.4	15.5	20	16.5	21	5	6.5



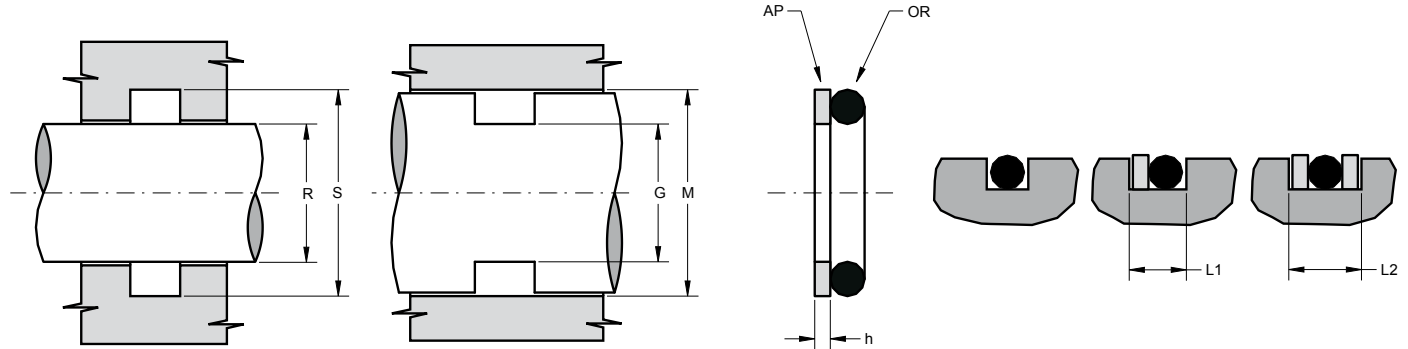
Part.	O-Ring	h	R ^{f7}	S ^{h9}	G ^{h9}	M ^{H8}	L1 ^{+0.2}	L2 ^{+0.2}
AP 114/809	OR 809 (15.88 x 2.62)	1.4	16	20.5	16.5	21	5	6.5
AP 115	OR 115 (17.12 x 2.62)	1.4	17	21.5	17.5	22	5	6.5
AP 617	OR 617 (17.86 x 2.62)	1.4	18	22.5	18.5	23	5	6.5
AP 116	OR 116 (18.72 x 2.62)	1.4	19	23.5	19.5	24	5	6.5
AP 117	OR 117 (20.29 x 2.62)	1.4	20	24.5	20.5	25	5	6.5
AP 812	OR 812 (20.63 x 2.62)	1.4	21	25.5	21.5	26	5	6.5
AP 118/813	OR 118 (21.89 x 2.62)	1.4	22	26.5	22.5	27	5	6.5
AP 118/813	OR 813 (22.22 x 2.62)	1.4	22	26.5	22.5	27	5	6.5
AP 119/814	OR 119 (23.47 x 2.62)	1.4	24	28.5	24.5	29	5	6.5
AP 119/814	OR 814 (23.81 x 2.62)	1.4	24	28.5	24.5	29	5	6.5
AP 120	OR 120 (25.07 x 2.62)	1.4	25	29.5	25.5	30	5	6.5
AP 121	OR 121 (26.64 x 2.62)	1.4	28	32.5	27.5	32	5	6.5
AP 122	OR 122 (28.24 x 2.62)	1.4	28	32.5	28.5	33	5	6.5
AP 123	OR 123 (29.82 x 2.62)	1.4	30	34.5	30.5	35	5	6.5
AP 124	OR 124 (31.42 x 2.62)	1.4	32	36.5	32.5	37	5	6.5
AP 125	OR 125 (32.99 x 2.62)	1.4	33	37.5	33.5	38	5	6.5
AP 126	OR 126 (34.6 x 2.62)	1.4	35	39.5	35.5	40	5	6.5
AP 127	OR 127 (36.14 x 2.62)	1.4	36	40.5	36.5	41	5	6.5
AP 128	OR 128 (37.77 x 2.62)	1.4	38	42.5	38.5	43	5	6.5
AP 129	OR 129 (39.34 x 2.62)	1.4	40	44.5	40.5	45	5	6.5
AP 130	OR 130 (40.95 x 2.62)	1.4	41	45.5	41.5	46	5	6.5
AP 131	OR 131 (42.52 x 2.62)	1.4	43	47.5	43.5	48	5	6.5
AP 132	OR 132 (44.12 x 2.62)	1.4	44	48.5	44.5	49	5	6.5
AP 133	OR 133 (45.69 x 2.62)	1.4	46	50.5	46.5	51	5	6.5
AP 134	OR 134 (47.3 x 2.62)	1.4	48	52.5	48.5	53	5	6.5
AP 135	OR 135 (48.9 x 2.62)	1.4	49	53.5	49.5	54	5	6.5
AP 136	OR 136 (50.47 x 2.62)	1.4	51	55.5	51.5	56	5	6.5
AP 137	OR 137 (52.07 x 2.62)	1.4	52	56.5	52.5	57	5	6.5



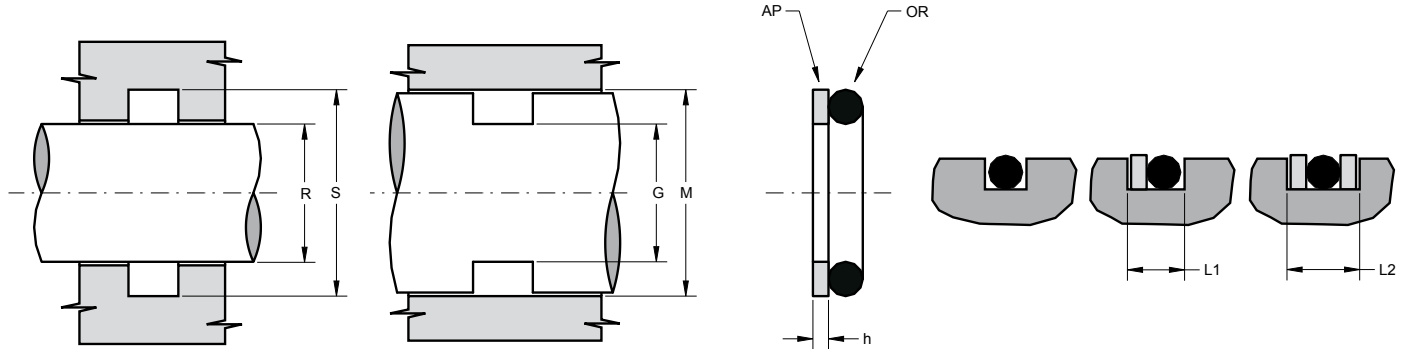
Part.	O-Ring	h	R ^{r7}	S ^{h9}	G ^{h9}	M ^{H8}	L1 ^{+0.2}	L2 ^{+0.2}
AP 138	OR 138 (53.65 x 2.62)	1.4	54	58.5	54.5	59	5	6.5
AP 139	OR 139 (55.25 x 2.62)	1.4	55	59.5	56.5	61	5	6.5
AP 140	OR 140 (56.82 x 2.62)	1.4	57	61.5	57.5	62	5	6.5
AP 141	OR 141 (58.42 x 2.62)	1.4	59	63.5	59.5	64	5	6.5
AP 142	OR 142 (60 x 2.62)	1.4	60	64.5	60.5	65	5	6.5
AP 143	OR 143 (61.6 x 2.62)	1.4	62	66.5	62.5	67	5	6.5
AP 144	OR 144 (63.17 x 2.62)	1.4	63	67.5	63.5	68	5	6.5
AP 145	OR 145 (64.77 x 2.62)	1.4	65	69.5	65.5	70	5	6.5
AP 146	OR 146 (66.35 x 2.62)	1.4	67	71.5	67.5	72	5	6.5
AP 147	OR 147 (67.95 x 2.62)	1.4	68	72.5	68.5	73	5	6.5
AP 148	OR 148 (69.52 x 2.62)	1.4	70	74.5	70.5	75	5	6.5
AP 149	OR 149 (71.12 x 2.62)	1.4	71	75.5	71.5	76	5	6.5
AP 150	OR 150 (72.69 x 2.62)	1.4	73	77.5	73.5	78	5	6.5
AP 151	OR 151 (75.87 x 2.62)	1.4	76	80.5	77.5	82	5	6.5
AP 152	OR 152 (82.22 x 2.62)	1.4	82	86.5	83.5	88	5	6.5
AP 153	OR 153 (88.57 x 2.62)	1.4	89	93.5	89.5	94	5	6.5
AP 154	OR 154 (94.92 x 2.62)	1.4	95	99.5	96.5	101	5	6.5
AP 157	OR 157 (113.97 x 2.62)	1.4	114	118.5	115.5	120	5	6.5
AP 210	OR 210 (18.64 x 3.53)	1.4	19	25.2	19.8	26	6	7.5
AP 211	OR 211 (20.22 x 3.53)	1.4	20	26.2	21.8	28	6	7.5
AP 212	OR 212 (21.82 x 3.53)	1.4	22	28.2	22.8	29	6	7.5
AP 213	OR 213 (23.4 x 3.53)	1.4	23	29.2	23.8	30	6	7.5
AP 214	OR 214 (24.99 x 3.53)	1.4	25	31.2	25.8	32	6	7.5
AP 618	OR 618 (25.8 x 3.53)	1.4	26	32.2	26.8	33	6	7.5
AP 215	OR 215 (26.58 x 3.53)	1.4	27	33.2	27.8	34	6	7.5
AP 216	OR 216 (28.17 x 3.53)	1.4	28	34.2	28.8	35	6	7.5
AP 217	OR 217 (29.75 x 3.53)	1.4	30	36.2	30.8	37	6	7.5
AP 218	OR 218 (31.34 x 3.53)	1.4	31	37.2	31.8	38	6	7.5



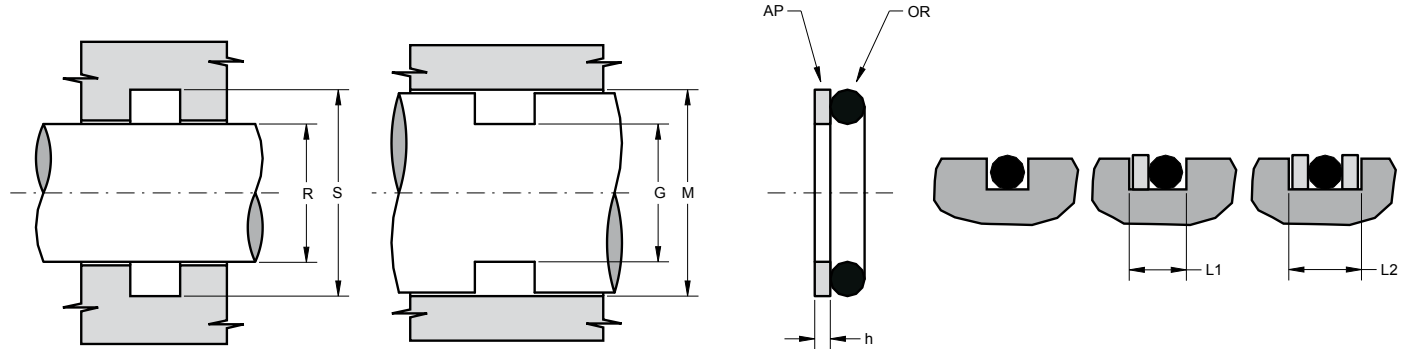
Part.	O-Ring	h	R ^{f7}	S ^{h9}	G ^{h9}	M ^{H8}	L1 ^{+0.2}	L2 ^{+0.2}
AP 219	OR 219 (32.92 x 3.53)	1.4	33	39.2	33.8	40	6	7.5
AP 220	OR 220 (34.52 x 3.53)	1.4	35	41.2	35.8	42	6	7.5
AP 221	OR 221 (36.09 x 3.53)	1.4	36	42.2	36.8	43	6	7.5
AP 222	OR 222 (37.69 x 3.53)	1.4	38	44.2	38.8	45	6	7.5
AP 824	OR 824 (39.69 x 3.53)	1.4	40	46.2	39.8	46	6	7.5
AP 223/825	OR 223 (40.87 x 3.53)	1.4	42	48.2	41.8	48	6	7.5
AP 223/825	OR 825 (41.28 x 3.53)	1.4	42	48.2	41.8	48	6	7.5
AP 826	OR 826 (42.86 x 3.53)	1.4	43	49.2	43.8	50	6	7.5
AP 224/827	OR 224 (44.04 x 3.53)	1.4	45	51.2	44.8	51	6	7.5
AP 224/827	OR 827 (44.45 x 3.53)	1.4	45	51.2	44.8	51	6	7.5
AP 828	OR 828 (46.04 x 3.53)	1.4	46	52.2	46.8	53	6	7.5
AP 225/829	OR 225 (47.22 x 3.53)	1.4	48	54.2	47.8	54	6	7.5
AP 225/829	OR 829 (47.63 x 3.53)	1.4	48	54.2	47.8	54	6	7.5
AP 830	OR 830 (49.21 x 3.53)	1.4	49	55.2	49.8	56	6	7.5
AP 226/831	OR 226 (50.39 x 3.53)	1.4	51	57.2	51.8	58	6	7.5
AP 226/831	OR 831 (50.8 x 3.53)	1.4	51	57.2	51.8	58	6	7.5
AP 832	OR 832 (52.39 x 3.53)	1.4	52	58.2	53.8	60	6	7.5
AP 227/833	OR 227 (53.57 x 3.53)	1.4	54	60.2	54.8	61	6	7.5
AP 227/833	OR 833 (53.98 x 3.53)	1.4	54	60.2	54.8	61	6	7.5
AP 834	OR 834 (55.56 x 3.53)	1.4	56	62.2	55.8	62	6	7.5
AP 228/835	OR 228 (56.74 x 3.53)	1.4	57	63.2	57.8	64	6	7.5
AP 228/835	OR 835 (57.15 x 3.53)	1.4	57	63.2	57.8	64	6	7.5
AP 836	OR 836 (58.74 x 3.53)	1.4	59	65.2	58.8	65	6	7.5
AP 229/837	OR 229 (59.92 x 3.53)	1.4	60	66.2	60.8	67	6	7.5
AP 229/837	OR 837 (60.33 x 3.53)	1.4	60	66.2	60.8	67	6	7.5
AP 838	OR 838 (61.91 x 3.53)	1.4	62	68.2	62.8	69	6	7.5
AP 230/839	OR 230 (63.09 x 3.53)	1.4	64	70.2	63.8	70	6	7.5
AP 840	OR 840 (65.09 x 3.53)	1.4	65	71.2	65.8	72	6	7.5



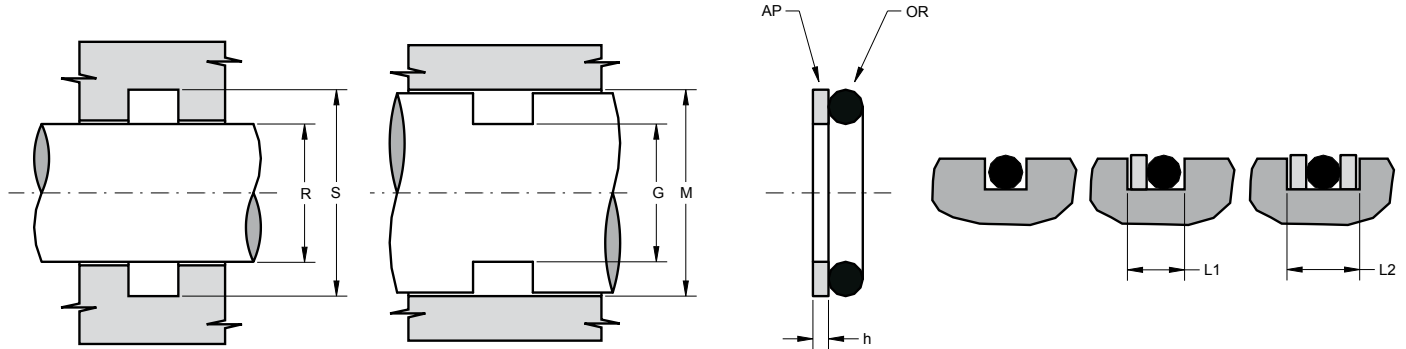
Part.	O-Ring	h	R ^{f7}	S ^{H9}	G ^{h9}	M ^{H8}	L1 ^{+0.2}	L2 ^{+0.2}
AP 231/841	OR 231 (66.27 x 3.53)	1.4	67	73.2	66.8	73	6	7.5
AP 231/841	OR 841 (66.68 x 3.53)	1.4	67	73.2	66.8	73	6	7.5
AP 842	OR 842 (68.26 x 3.53)	1.4	68	74.2	68.8	75	6	7.5
AP 232/843	OR 232 (69.44 x 3.53)	1.4	70	76.2	70.8	77	6	7.5
AP 232/843	OR 843 (69.85 x 3.53)	1.4	70	76.2	70.8	77	6	7.5
AP 844	OR 844 (71.44 x 3.53)	1.4	72	78.2	71.8	78	6	7.5
AP 233/845	OR 233 (72.62 x 3.53)	1.4	73	79.2	73.8	80	6	7.5
AP 233/845	OR 845 (73.03 x 3.53)	1.4	73	79.2	73.8	80	6	7.5
AP 846	OR 846 (74.61 x 3.53)	1.4	75	81.2	74.8	81	6	7.5
AP 234	OR 234 (75.79 x 3.53)	1.4	76	82.2	76.8	83	6	7.5
AP 235	OR 235 (78.97 x 3.53)	1.4	79	85.2	79.8	86	6	7.5
AP 236	OR 236 (82.14 x 3.53)	1.4	82	88.2	82.8	89	6	7.5
AP 237	OR 237 (85.32 x 3.53)	1.4	85	91.2	85.8	92	6	7.5
AP 238	OR 238 (88.49 x 3.53)	1.4	89	95.2	88.8	95	6	7.5
AP 239	OR 239 (91.67 x 3.53)	1.4	92	98.2	92.8	99	6	7.5
AP 240	OR 240 (94.84 x 3.53)	1.4	95	101.2	95.8	102	6	7.5
AP 241	OR 241 (98.02 x 3.53)	1.4	98	104.2	98.8	105	6	7.5
AP 242	OR 242 (101.19 x 3.53)	1.4	101	107.2	101.8	108	6	7.5
AP 243	OR 243 (104.37 x 3.53)	1.4	105	111.2	104.8	111	6	7.5
AP 244	OR 244 (107.54 x 3.53)	1.4	108	114.2	107.8	114	6	7.5
AP 245	OR 245 (110.72 x 3.53)	1.4	111	117.2	111.8	118	6	7.5
AP 246	OR 246 (113.89 x 3.53)	1.4	114	120.2	114.8	121	6	7.5
AP 247	OR 247 (117.07 x 3.53)	1.4	117	123.2	117.8	124	6	7.5
AP 248	OR 248 (120.24 x 3.53)	1.4	120	126.2	120.8	127	6	7.5
AP 249	OR 249 (123.42 x 3.53)	1.4	123	129.2	123.8	130	6	7.5
AP 250	OR 250 (126.59 x 3.53)	1.4	127	133.2	126.8	133	6	7.5
AP 251	OR 251 (129.77 x 3.53)	1.4	130	136.2	129.8	136	6	7.5
AP 252	OR 252 (132.94 x 3.53)	1.4	133	139.2	133.8	140	6	7.5



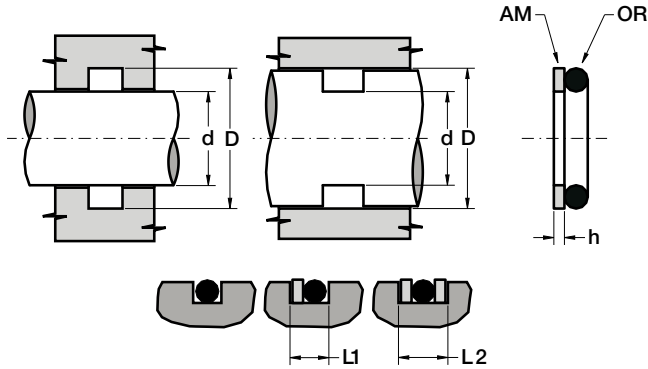
Part.	O-Ring	h	R ^{f7}	S ^{h9}	G ^{h9}	M ^{H8}	L1 ^{+0.2}	L2 ^{+0.2}
AP 253	OR 253 (136.12 x 3.53)	1.4	136	142.2	136.8	143	6	7.5
AP 254	OR 254 (139.29 x 3.53)	1.4	140	146.2	139.8	146	6	7.5
AP 255	OR 255 (142.47 x 3.53)	1.4	143	149.2	142.8	149	6	7.5
AP 256	OR 256 (145.64 x 3.53)	1.4	146	152.2	145.8	152	6	7.5
AP 257	OR 257 (148.82 x 3.53)	1.4	149	155.2	148.8	155	6	7.5
AP 258	OR 258 (151.99 x 3.53)	1.4	152	158.2	152.8	159	6	7.5
AP 264	OR 264 (190.09 x 3.53)	1.4	190	196.2	190.8	197	6	7.5
AP 325	OR 325 (37.47 x 5.34)	1.7	38	47.4	38.6	48	9	10.5
AP 326	OR 326 (40.65 x 5.34)	1.7	41	50.4	42.6	52	9	10.5
AP 327	OR 327 (43.82 x 5.34)	1.7	44	53.4	45.6	55	9	10.5
AP 328	OR 328 (47 x 5.34)	1.7	47	56.4	48.6	58	9	10.5
AP 329	OR 329 (50.16 x 5.34)	1.7	50	59.4	51.6	61	9	10.5
AP 330	OR 330 (53.34 x 5.34)	1.7	53	62.4	54.6	64	9	10.5
AP 331	OR 331 (56.52 x 5.34)	1.7	57	66.4	58.6	68	9	10.5
AP 332	OR 332 (59.69 x 5.34)	1.7	60	69.4	60.6	70	9	10.5
AP 333	OR 333 (62.87 x 5.34)	1.7	63	72.4	63.6	73	9	10.5
AP 334	OR 334 (66.04 x 5.34)	1.7	66	75.4	67.6	77	9	10.5
AP 335	OR 335 (69.22 x 5.34)	1.7	69	78.4	70.6	80	9	10.5
AP 336	OR 336 (72.39 x 5.34)	1.7	73	82.4	73.6	83	9	10.5
AP 619	OR 619 (74.63 x 5.34)	1.7	75	84.4	75.6	85	9	10.5
AP 337	OR 337 (75.57 x 5.34)	1.7	76	85.4	76.6	86	9	10.5
AP 338/620	OR 338 (78.74 x 5.34)	1.7	79	88.4	80.6	90	9	10.5
AP 338/620	OR 620 (79.77 x 5.34)	1.7	80	89.4	80.6	90	9	10.5
AP 339	OR 339 (81.92 x 5.34)	1.7	82	91.4	82.6	92	9	10.5
AP 340	OR 340 (85.09 x 5.34)	1.7	85	94.4	85.6	95	9	10.5
AP 341	OR 341 (88.27 x 5.34)	1.7	88	97.4	88.6	98	9	10.5
AP 621	OR 621 (89.69 x 5.34)	1.7	90	99.4	90.6	100	9	10.5
AP 342	OR 342 (91.44 x 5.34)	1.7	92	101.4	92.6	102	9	10.5



Part.	O-Ring	h	R ^{f7}	S ^{H9}	G ^{h9}	M ^{H8}	L1 ^{+0.2}	L2 ^{+0.2}
AP 343	OR 343 (94.62 x 5.34)	1.7	95	104.4	95.6	105	9	10.5
AP 344	OR 344 (97.79 x 5.34)	1.7	98	107.4	98.6	108	9	10.5
AP 622	OR 622 (100 x 5.34)	1.7	100	109.4	100.6	110	9	10.5
AP 345	OR 345 (100.97 x 5.34)	1.7	101	110.4	101.6	111	9	10.5
AP 346	OR 346 (104.14 x 5.34)	1.7	104	113.4	105.6	115	9	10.5
AP 347	OR 347 (107.32 x 5.34)	1.7	107	116.4	108.6	118	9	10.5
AP 623	OR 623 (109.5 x 5.34)	1.7	110	119.4	110.6	120	9	10.5
AP 348	OR 348 (110.5 x 5.34)	1.7	111	120.4	111.6	121	9	10.5
AP 349	OR 349 (113.67 x 5.34)	1.7	114	123.4	115.6	125	9	10.5
AP 350/860	OR 350 (116.84 x 5.34)	1.7	117	126.4	118.6	128	9	10.5
AP 350/860	OR 860 (117.5 x 5.34)	1.7	118	127.4	118.6	128	9	10.5
AP 351/861	OR 351 (120.02 x 5.34)	1.7	121	130.4	122.6	132	9	10.5
AP 351/861	OR 861 (120.7 x 5.34)	1.7	121	130.4	122.6	132	9	10.5
AP 862	OR 862 (123.8 x 5.34)	1.7	124	133.4	125.6	135	9	10.5
AP 353/863	OR 353 (126.37 x 5.34)	1.7	127	136.4	127.6	137	9	10.5
AP 353/863	OR 863 (127 x 5.34)	1.7	127	136.4	127.6	137	9	10.5
AP 354/864	OR 354 (129.54 x 5.34)	1.7	130	139.4	130.6	140	9	10.5
AP 354/864	OR 864 (130.2 x 5.34)	1.7	130	139.4	130.6	140	9	10.5
AP 865	OR 865 (133.4 x 5.34)	1.7	134	143.4	135.6	145	9	10.5
AP 356/866	OR 356 (135.9 x 5.34)	1.7	137	146.4	137.6	147	9	10.5
AP 356/866	OR 866 (136.5 x 5.34)	1.7	137	146.4	137.6	147	9	10.5
AP 357/867	OR 357 (139.07 x 5.34)	1.7	140	149.4	140.6	150	9	10.5
AP 357/867	OR 867 (139.7 x 5.34)	1.7	140	149.4	140.6	150	9	10.5
AP 358/868	OR 358 (142.24 x 5.34)	1.7	143	152.4	143.6	153	9	10.5
AP 358/868	OR 868 (142.9 x 5.34)	1.7	143	152.4	143.6	153	9	10.5
AP 360/870	OR 360 (148.6 x 5.34)	1.7	150	159.4	150.6	160	9	10.5
AP 360/870	OR 870 (149.2 x 5.34)	1.7	150	159.4	150.6	160	9	10.5
AP 361	OR 361 (151.77 x 5.34)	1.7	152	161.4	153.6	163	9	10.5



Part.	O-Ring	h	R ^{f7}	S ^{H9}	G ^{H9}	M ^{H8}	L1 ^{+0.2}	L2 ^{+0.2}
AP 362	OR 362 (158.12 x 5.34)	1.7	158	167.4	159.6	169	9	10.5
AP 363	OR 363 (164.47 x 5.34)	1.7	165	174.4	165.6	175	9	10.5
AP 364	OR 364 (170.82 x 5.34)	1.7	171	180.4	172.6	182	9	10.5
AP 365	OR 365 (177.17 x 5.34)	1.7	178	187.4	178.6	188	9	10.5
AP 367	OR 367 (189.87 x 5.34)	1.7	190	199.4	190.6	200	9	10.5
AP 370	OR 370 (208.92 x 5.34)	1.7	209	218.4	210.6	220	9	10.5
AP 425	OR 425 (113.67 x 6.99)	2.5	114	126.2	114.8	127	12	14.5
AP 426	OR 426 (116.84 x 6.99)	2.5	117	129.2	117.8	130	12	14.5
AP 428	OR 428 (123.2 x 6.99)	2.5	123	135.2	124.8	137	12	14.5
AP 429	OR 429 (126.37 x 6.99)	2.5	126	138.2	127.8	140	12	14.5
AP 431	OR 431 (132.72 x 6.99)	2.5	133	145.2	133.8	146	12	14.5
AP 432	OR 432 (135.9 x 6.99)	2.5	136	148.2	137.8	150	12	14.5
AP 433	OR 433 (139.07 x 6.99)	2.5	139	151.2	140.8	153	12	14.5
AP 435	OR 435 (145.42 x 6.99)	2.5	145	157.2	147.8	160	12	14.5
AP 872	OR 872 (155.6 x 6.99)	2.5	156	168.2	157.8	170	12	14.5
AP 628	OR 628 (166.7 x 6.99)	2.5	167	179.2	167.8	180	12	14.5
AP 442	OR 442 (183.52 x 6.99)	2.5	184	196.2	184.8	197	12	14.5
AP 443	OR 443 (189.87 x 6.99)	2.5	190	202.2	190.8	203	12	14.5
AP 444	OR 444 (196.22 x 6.99)	2.5	196	208.2	197.8	210	12	14.5



DESCRIPTION

Uncut antiextrusion ring for metric O-Ring

MATERIAL

Type: Thermoplastic polyester resin
 Designation: SEALITE 55
 Hardness: 55 °ShD

MAIN FEATURES

The function of ring type AM is to avoid the extrusion and damage of the O-Ring that normally occurs in the presence of large gaps or high pressure.

If pressure arises on only one side of the O-Ring, it will suffice to fit one antiextrusion ring on the unexposed side. Two backup rings are necessary if the pressure rises on both sides.

The AM ring hasn't a cut or spiral shape (typical of PTFE backup rings) that could help damage the O-Ring especially in the presence of high pressure.

Thanks to its elasticity, it can be installed very easily in a short time and without any auxiliaries.

The material used is a medium modulus thermoplastic polyester resin, mainly used in the manufacturing of antiextrusion rings, that ensures an extra measure of performance and service life in application where properties such as abrasion resistance and tear strength are critical.

- Very high resistance against extrusion
- Uncut piece to avoid O-Ring damage
- Low cost solution
- Extended service life of sealing components
- Excellent wear-resistance
- No close tolerances are necessary
- Easy installation without expensive auxiliaries
- Good temperature resistance
- Easy installation without expensive auxiliaries

FIELD OF APPLICATION

Pressure	See table below
Speed	≤ 0.8 m/s
Temperature	-40°C ÷ +140°C
Fluids	Hydraulic oils (mineral oil based). For other fluids contact our technical department

MAX. PRESSURE [BAR]

GAP	NBR 70	NBR 90	AP
[mm]	[bar]	[bar]	[bar]
0,05	190	330	500
0,10	130	270	400
0,15	110	230	350
0,20	100	210	300
0,25	90	190	270
0,30	80	170	240
0,35	75	160	220

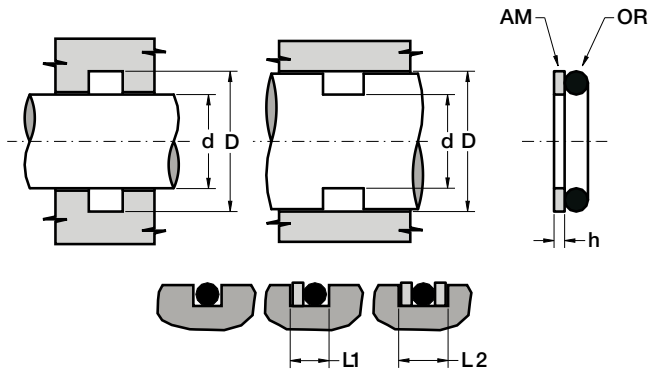
NB: for the Gap calculation, it is necessary to consider the elastic deformation of metal elements under pressure loads.

SURFACE ROUGHNESS

Dynamic surface	Ra ≤ 0.3 μm	Rt ≤ 2.5 μm
Static surface	Ra ≤ 1.6 μm	Rt ≤ 6.3 μm

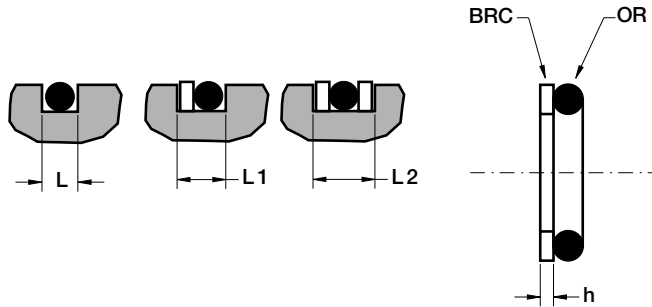
- Before assembly good cleanliness and lubrication are recommended

Part.	O-Ring	d ¹⁷	D ^{H9}	h	L1 ^{+0.2}	L2 ^{+0.2}
AM 3.8 6.5 1	4.1 x 1.6	3.8	6.5	1.0	3.1	4.1
AM 6 10.5 0.8	5.23 x 2.62	6	10.5	0.8	4.4	5.3
AM 10 14 1.3	9.3 x 2.4	10	14	1.3	4.5	5.8
AM 12 16 1.3	11.3 x 2.4	12	16	1.3	4.5	5.8
AM 16 20 1.3	15.3 x 2.4	16	20	1.3	4.5	5.8



Part.	O-Ring	d ^{f7}	D ^{H9}	h	L1 ^{+0.2}	L2 ^{+0.2}
AM 17 21 1.3	16.3 x 2.4	17	21	1.3	4.5	5.8
AM 20 25 1.3	19.2 x 3	20	25	1.3	5.3	6.6
AM 25 30 1.3	24.2 x 3	25	30	1.3	5.3	6.6
AM 30 35 1.3	29.2 x 3	30	35	1.3	5.3	6.6
AM 35 40 1.3	34.2 x 3	35	40	1.3	5.3	6.6
AM 36 41 1.75	34.5 x 3	36	41	1.75	5.75	7.5
AM 40 45 1.3	39.2 x 3	40	45	1.3	5.3	6.6
AM 45 50 1.3	44.2 x 3	45	50	1.3	5.3	6.6
AM 50 55 1.3	49.5 x 3	50	55	1.3	5.3	6.6
AM 50 60 1.7	49.2 x 5.7	50	60	1.7	9.5	11.5
AM 53 63 1.7	52.3 x 5.7	53	63	1.7	9.5	11.5
AM 54 59 1.4	53.1 x 3	54	59	1.4	5.4	6.8
AM 55 60 1.3	54.5 x 3	55	60	1.3	5.3	6.6
AM 55 65 1.7	54.2 x 5.7	55	65	1.7	9.5	11.5
AM 56.5 61 1.4	55.25 x 2.62	56.5	61	1.4	5.0	6.4
AM 58 63 1.3	57.0 x 3	58	63	1.3	5.3	6.6
AM 60 65 1.3	59.5 x 3	60	65	1.3	5.3	6.6
AM 60 67 1.5	59 x 4	60	67	1.5	6.9	8.4
AM 60 70 1.7	59.2 x 5.7	60	70	1.7	9.5	11.5
AM 64 70 1.4	63.5x3.53	64	70	1.4	6.0	7.5
AM 65 70 1.3	64.5 x 3	65	70	1.3	5.3	6.6
AM 65 75 1.7	64.2 x 5.7	65	75	1.7	9.5	11.5
AM 66 71 1.5	64.5 x 3	66	71	1.5	5.5	7.0

Part.	O-Ring	d ^{f7}	D ^{H9}	h	L1 ^{+0.2}	L2 ^{+0.2}
AM 69 75 1.5	68.26x3.53	69	75	1.5	6.1	7.6
AM 70 75 1.3	69.5 x 3	70	75	1.3	5.3	6.6
AM 70 77 1.5	69 x 4	70	77	1.5	6.9	8.4
AM 70 80 1.7	69.2 x 5.7	70	80	1.7	9.5	11.5
AM 74 80 1.5	72.62 x 3.53	74	80	1.5	6.1	7.6
AM 74.1 81 1.5	74 x 4	74.1	81	1.5	6.8	8.3
AM 75 80 1.3	74.6 x 3	75	80	1.3	5.3	6.6
AM 75 85 1.7	74.2 x 5.7	75	85	1.7	9.5	11.5
AM 80 85 1.3	79.5 x 3	80	85	1.3	5.3	6.6
AM 80 87 1.5	79 x 4	80	87	1.5	6.9	8.4
AM 80 90 1.7	79.2 x 5.7	80	90	1.7	9.5	11.5
AM 83 90 1.5	83 x 4	83	90	1.5	6.8	8.3
AM 85 90 1.3	84.5 x 3	85	90	1.3	5.3	6.6
AM 85 95 1.7	84.1 x 5.7	85	95	1.7	9.5	11.5
AM 89.4 100 2.5	88 x 6	89.4	100	2.5	10.7	13.2
AM 90 95 1.3	89.5 x 3	90	95	1.3	5.3	6.6
AM 90 100 1.7	89.1 x 5.7	90	100	1.7	9.5	11.5
AM 93.5 100 1.4	91.67x3.53	93.5	100	1.4	6.0	7.4
AM 94.5 101 1.5	94.84 x 3.53	94.5	101	1.5	6.1	7.6
AM 95 100 1.3	94.5 x 3	95	100	1.3	5.3	6.6
AM 95 105 1.7	94.1 x 5.7	95	105	1.7	9.5	11.5
AM 100 105 1.3	99.5 x 3	100	105	1.3	5.3	6.6
AM 100 110 1.7	99.1 x 5.7	100	110	1.7	9.5	11.5
AM 105 110 1.3	104.5 x 3	105	110	1.3	5.3	6.6
AM 105 115 1.7	104.1 x 5.7	105	115	1.7	9.5	11.5
AM 110 115 1.3	109.5 x 3	110	115	1.3	5.3	6.6
AM 110 120 1.7	109.1 x 5.7	110	120	1.7	9.5	11.5
AM 115 120 1.3	114.5 x 3	115	120	1.3	5.3	6.6
AM 115 125 1.7	114.3 x 5.7	115	125	1.7	9.5	11.5
AM 120 125 1.3	119.5 x 3	120	125	1.3	5.3	6.6
AM 120 130 1.7	119.3 x 5.7	120	130	1.7	9.5	11.5
AM 125 130 1.3	124.5 x 3	125	130	1.3	5.3	6.6
AM 125 135 1.7	124.3 x 5.7	125	135	1.7	9.5	11.5
AM 130 140 1.7	129.3 x 5.7	130	140	1.7	9.5	11.5
AM 135 145 1.7	134.3 x 5.7	135	145	1.7	9.5	11.5
AM 140 150 1.7	139.3 x 5.7	140	150	1.7	9.5	11.5
AM 142 151 1.8	140 x 5.3	142	151	1.8	9.0	10.8
AM 145 155 1.7	144.3 x 5.7	145	155	1.7	9.5	11.5
AM 150 160 1.7	149.3 x 5.7	150	160	1.7	9.5	11.5
AM 152 161 1.8	150 x 5.3	152	161	1.8	9.0	10.8



DESCRIPTION

Uncut antiextrusion ring for standard O-Ring

MATERIAL

Type: Polytetrafluoroethylene PTFE
Designation: SEALFLON

CODING

"BRC xxx"
where "xxx" is the same code of O-Ring

MAIN FEATURES

The function of ring type BRC is to avoid the extrusion and damage of the O-Ring that normally occurs in the presence of large gaps or high pressure.

If pressure arises on only one side of the O-Ring, it will suffice to fit one antiextrusion ring on the unexposed side. Two backup rings are necessary if the pressure rises on both sides.

The BRC ring hasn't a cut or spiral shape that could help damage the O-Ring especially in the presence of high pressure.

The material used ensures a high compatibility with nearly all media due to the chemical resistance which exceeds that of all other thermoplastics and elastomers.

- Very high resistance against extrusion
- Uncut piece to avoid O-Ring damage
- Extended service life of sealing components
- High compatibility with nearly all fluids
- Excellent wear-resistance
- High temperature resistance

FIELD OF APPLICATION

Pressure	500 bar, with a max. gap 0.3 mm (*)
Speed	≤ 2 m/s
Temperature	-200°C ÷ +200°C (only for PTFE element)
Fluids	High compatibility with nearly all fluids (only for PTFE element)

(*) for the Gap calculation, it is necessary to consider the elastic deformation of metal elements under pressure loads.

GROOVE DIMENSIONS [MM]

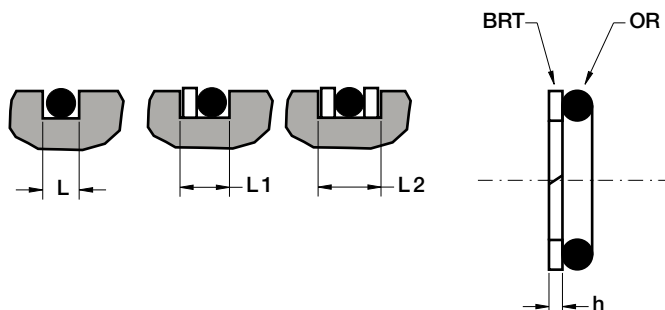
SECTION OR	h	L	L1	L2
1.78	1.4	2.5	4	5.5
2.62	1.4	3.5	5	6.5
3.53	1.4	4.5	6	7.5
5.34	1.7	7.0	9	10.5
6.99	2.5	9.5	12	14.5

Internal and external diameters are the same used for O-Rings

SURFACE ROUGHNESS

Dynamic surface	Ra ≤ 0.3 μm	Rt ≤ 2.5 μm
Static surface	Ra ≤ 1.6 μm	Rt ≤ 6.3 μm

- Before assembly a good cleanness and lubrication are recommended.



DESCRIPTION

Cut antiextrusion ring for standard O-Ring

MATERIAL

Type: Polytetrafluoroethylene PTFE

Designation: SEALFLON

CODING

"BRT xxx"

where "xxx" is the same code of O-Ring

MAIN FEATURES

The function of ring type BRT is to avoid the extrusion and damage of the O-Ring that normally occurs in the presence of large gaps or high pressure.

If pressure arises on only one side of the O-Ring, it will suffice to fit one antiextrusion ring on the unexposed side. Two backup rings are necessary if the pressure rises on both sides.

The BRT ring is cut at an angle of 30°, so protection of the O-ring is ensured by the cut. Thanks to this, it can be installed very easily in a short time and without any auxiliaries.

The material used ensures a high compatibility with nearly all media due to the chemical resistance which exceeds that of all other thermoplastics and elastomers.

- Very high resistance against extrusion
- Extended service life of sealing components
- High compatibility with nearly all fluids
- Excellent wear-resistance
- High temperature resistance
- Easy installation without expensive auxiliaries

FIELD OF APPLICATION

Pressure	400 bar, with a max. gap 0.3 mm (*)
Speed	≤ 2 m/s
Temperature	-200°C ÷ +200°C (only for PTFE element)
Fluids	High compatibility with nearly all fluids (only for PTFE element)

(*) for the Gap calculation, it is necessary to consider the elastic deformation of metal elements under pressure loads.

GROOVE DIMENSIONS [MM]

SECTION OR	h	L	L1	L2
1.78	1.4	2.5	4	5.5
2.62	1.4	3.5	5	6.5
3.53	1.4	4.5	6	7.5
5.34	1.7	7.0	9	10.5
6.99	2.5	9.5	12	14.5

Internal and external diameters are the same used for O-Rings

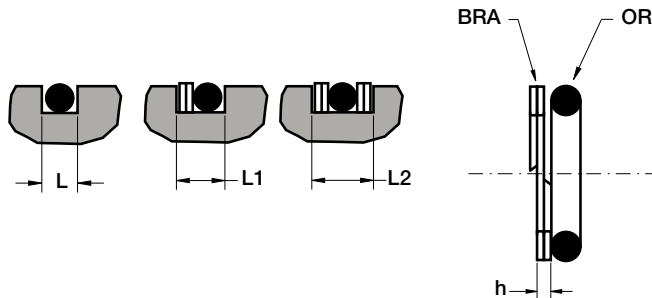
SURFACE ROUGHNESS

Dynamic surface	Ra ≤ 0.3 μm	Rt ≤ 2.5 μm
Static surface	Ra ≤ 1.6 μm	Rt ≤ 6.3 μm

- Before assembly good cleanliness and lubrication are recommended.

BRA

SPIRAL-TYPE ANTIEXTRUSION RING FOR STANDARD O-RING



DESCRIPTION

Spiral-type antiextrusion ring for standard O-Ring

MATERIAL

Type: Polytetrafluoroethylene PTFE

Designation: SEALFLON

CODING

“BRA xxx”

where “xxx” is the same code of O-Ring

MAIN FEATURES

The function of ring type BRA is to avoid the extrusion and damage of the O-Ring that normally occurs in the presence of large gaps or high pressure.

If pressure arises on only one side of the O-Ring, it will suffice to fit one antiextrusion ring on the unexposed side. Two backup rings are necessary if the pressure rises on both sides.

It consists of two windings whose ends are cut at an angle to protect the O-ring. The particular advantage of this design is found in applications where there are large temperature fluctuations; it can react to deviations in tolerances and offers a wide range of applications.

Thanks to the spiral-shape, it can be installed very easily in a short time and without any auxiliaries.

The material used ensures a high compatibility with nearly all media due to the chemical resistance which exceeds that of all other thermoplastics and elastomers.

- Very high resistance against extrusion
- Resistant to temperature fluctuations
- Extended service life of sealing components
- High compatibility with nearly all fluids
- Excellent wear-resistance
- High temperature resistance
- Easy installation without expensive auxiliaries

FIELD OF APPLICATION

Pressure	400 bar, with a max. gap 0.3 mm (*)
Speed	≤ 2 m/s
Temperature	-200°C ÷ +200°C (only for PTFE element)
Fluids	High compatibility with nearly all fluids (only for PTFE element)

(*) for the Gap calculation, it is necessary to consider the elastic deformation of metal elements under pressure loads.

GROOVE DIMENSIONS [MM]

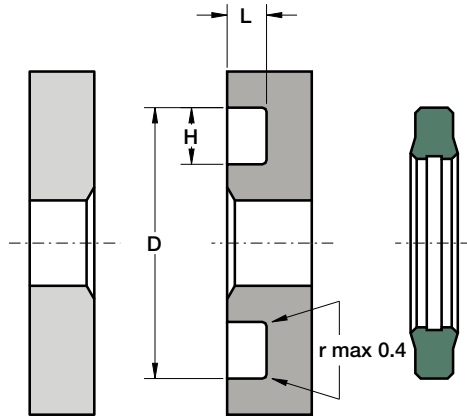
SECTION OR	h	L	L1	L2
1.78	1.4	2.5	4	5.5
2.62	1.4	3.5	5	6.5
3.53	1.4	4.5	6	7.5
5.34	1.7	7.0	9	10.5
6.99	2.5	9.5	12	14.5

Internal and external diameters are the same used for O-Rings

SURFACE ROUGHNESS

Dynamic surface	Ra ≤ 0.3 μm	Rt ≤ 2.5 μm
Static surface	Ra ≤ 1.6 μm	Rt ≤ 6.3 μm

- Before assembly good cleanliness and lubrication are recommended.



DESCRIPTION

Seals for SAE flanges

MATERIAL

Type: Polyurethane
 Designation: SEALPUR 93
 Hardness: 93 °ShA

MAIN FEATURES

The polyurethane seal type PFS has been developed to assure a SAE flange sealing and to substitute traditional O-Rings when they are not suitable due to difficult conditions such as high pressure or rough surface finish.

The profile is inspired by a semicompact rod seal type SD which has demonstrated great efficacy and versatility.

A flush fitting with the outside diameter reduces the radial movements induced by the frequent “pumping” phenomenon of pressure.

The material used to produce this seal is a polyurethane compound that ensures excellent properties on wear-resistance, extended service life and resistance against extrusion

The material used to produce this seal is a polyurethane compound that ensures excellent properties on wear-resistance, extended service life and resistance against extrusion

- Perfect fluid control under “pumping” pressure also
- High resistance against extrusion
- Excellent wear-resistance
- Extended service life
- Absence of induced radial movements
- Good temperature resistance
- Easy installation without expensive auxiliaries

FIELD OF APPLICATION

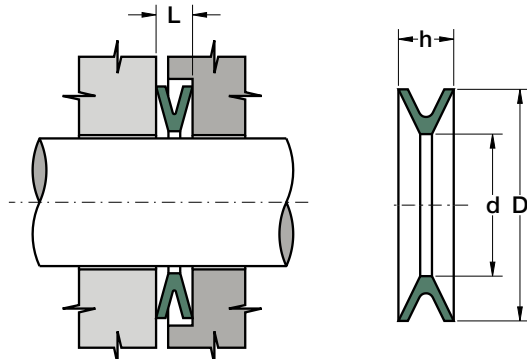
Pressure	≤ 500 bar
Temperature	−40°C ÷ +100°C
Fluids	Hydraulic oils (mineral oil based). <i>For other fluids contact our technical department</i>

SURFACE ROUGHNESS

Housing surface	Ra ≤ 1.6 μm	Rt ≤ 6.3 μm
-----------------	-------------	-------------

- Before assembly good cleanliness and lubrication are recommended.

Part.	D ±0.1	H ±0.25	L ±0.07
PFS 8 12 1.4	12.0	2.0	1.40
PFS 10.3 16.9 2.2	16.9	3.3	2.20
PFS 12.2 19.2 2.2	19.2	3.5	2.20
PFS 15.4 22.4 2.2	22.4	3.5	2.20
PFS 1/2"	25.4	4.2	2.85
PFS 3/4"	31.8	4.2	2.85
PFS 1"	39.6	4.2	2.85
PFS 1 1/4"	44.5	4.2	2.85
PFS 1 1/2"	53.7	4.2	2.85
PFS 2"	63.4	4.2	2.85



DESCRIPTION

V-Ring

MATERIAL

Type: Polyurethane
 Designation: SEALPUR 93
 Hardness: 93 °ShA

MAIN FEATURES

The function of V-Ring type DV is to prevent introduction of dust, dirt, mud and foreign matter into components such as joints, bearings and brasses.

This is achieved by the right compression of sealing lips which produces a very effective protective action and extends the service life of the component.

The DV ring compensates for axial play and allows angular swing movements up to 2°.

The material used to produce this seal is a polyurethane compound that ensures excellent properties in case of dry run, an increased wear-resistance and an extended service life.

- Excellent wear-resistance
- Extended service life
- Compensation of angular swing movements
- Good temperature resistance
- Easy installation without expensive auxiliaries

FIELD OF APPLICATION

Temperature $-40^{\circ}\text{C} \div +100^{\circ}\text{C}$

SURFACE ROUGHNESS

Housing surface $Ra \leq 1.6 \mu\text{m}$ $Rt \leq 6.3 \mu\text{m}$

- Before assembly good cleanliness and lubrication are recommended.

Part.	D	d	h	L
DV 27.5	27.5	22.5	4.0	2.0
DV 32	32.0	26.0	4.0	2.0
DV 38.5	38.5	31.0	4.5	2.0
DV 43	43.0	36.0	5.0	2.0
DV 51	51.0	42.0	6.0	2.5
DV 57.5	57.5	47.5	7.0	3.0
DV 64	64.0	54.0	7.0	3.5
DV 71	71.0	59.0	7.0	3.5
DV 80	80.0	65.0	7.0	3.5
DV 86	86.0	71.0	9.0	4.0
DV 86/A	86.0	70.0	9.0	4.0
DV 88.8	88.8	70.0	8.0	3.5
DV 95	95.0	85.0	6.0	2.5
DV 100	100.0	82.0	9.0	4.5
DV 105	105.0	90.0	9.0	4.5
DV 142	142.0	116.0	16.5	7.5
DV 152	152.0	127.0	16.5	7.5
DV 162	162.0	137.0	15.0	7.5
DV 186	186.0	160.0	16.0	7.5

LATHE-CUT PRODUCTS

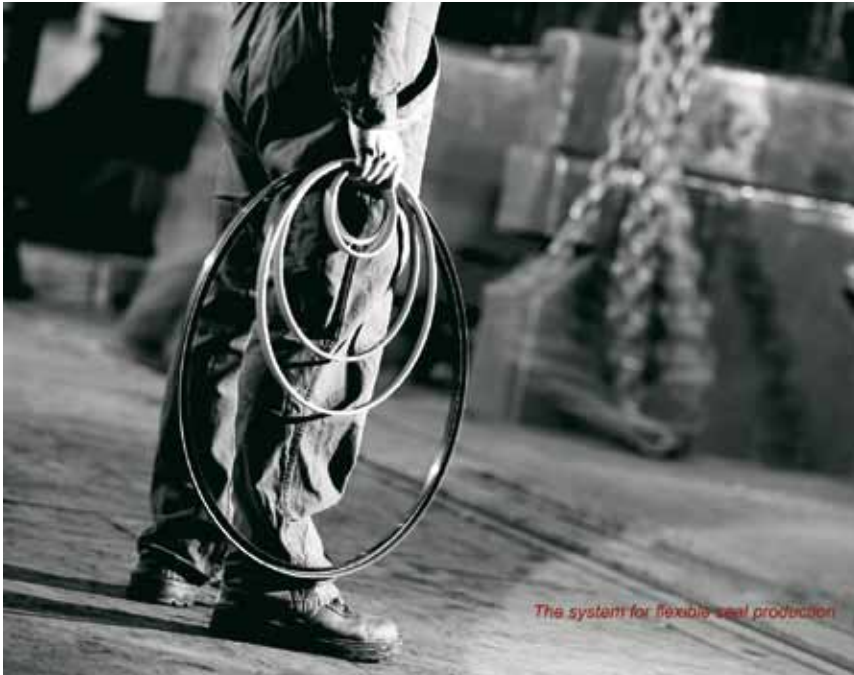
Our sleeve turning equipment allows us to develop seals and hydraulic components from 5 to 1000 mm in size while maintaining maximum quality.

Thanks to this particular technology we are able to offer our clients rapid and customized solutions for any special requests such as single parts, small quantities or series while at the same time reducing developing time, waiting, repairing or dead times.
















Our sales program foresees a range of more than 150 standard profiles that can be modified to fit your needs.

In addition we also offer a wide range of special materials all made for the seal production and hydraulic components.















For further information and inquiries you are kindly requested to contact our technical office.















PROFILES

WIPERS					
Profile	Type	Standard material	Pressure (bar)	Speed (m/s)	Temperature (°C)
	T-WR01	PU NBR	-	4	-30 ÷ +105 -25 ÷ +100
	T-WR01A	PU NBR	-	4	-30 ÷ +105 -25 ÷ +100
	T-WR02	PU NBR	-	4	-30 ÷ +105 -25 ÷ +100
	T-WR02A	PU NBR	-	4	-30 ÷ +105 -25 ÷ +100
	T-WR02B	PU NBR	-	4	-30 ÷ +105 -25 ÷ +100
	T-WR02C	PU NBR	-	4	-30 ÷ +105 -25 ÷ +100
	T-WR03	PU/POM NBR/POM	-	4	-30 ÷ +100 -25 ÷ +100
	T-WR04	PU NBR	-	4	-30 ÷ +100 -25 ÷ +100
	T-WR11	PU NBR	15	4	-30 ÷ +105 -25 ÷ +100
	T-WR12	PU NBR	15	4	-30 ÷ +105 -25 ÷ +100
	T-WR13	PTFE/NBR	-	10	-25 ÷ +100
	T-WR14	PTFE/NBR	-	10	-25 ÷ +100
	T-WR15	PTFE/NBR	-	10	-25 ÷ +100
	T-WR17	PU NBR	-	4	-30 ÷ +100 -25 ÷ +100
	T-WR18	PU NBR	-	4	-30 ÷ +105 -25 ÷ +100













PROFILES

ROD SEALS					
Profile	Type	Standard material	Pressure (bar)	Speed (m/s)	Temperature (°C)
	T-RS01	PU NBR FKM	400 160 160	0.5	-30 ÷ +105 -25 ÷ +100 -20 ÷ +210
	T-RS01A	PU NBR FKM	25	1	-30 ÷ +105 -25 ÷ +100 -20 ÷ +210
	T-RS01B	PU NBR FKM	400 160 160	0.5	-30 ÷ +105 -25 ÷ +100 -20 ÷ +210
	T-RS02	PU/POM NBR/POM FKM/PTFE	700 250 250	0.5	-30 ÷ +100 -25 ÷ +100 -20 ÷ +210
	T-RS02A	PU/POM NBR/POM FKM/PTFE	700 250 250	0.5	-30 ÷ +100 -25 ÷ +100 -20 ÷ +210
	T-RS03	PU/NBR	400	0.5	-25 ÷ +100
	T-RS04	PU/NBR/POM	700	0.5	-25 ÷ +100
	T-RS05	NBR	25	1	-25 ÷ +100
	T-RS08	PU NBR	400 160	0.3	-30 ÷ +105 -25 ÷ +100
	T-RS09	PU/NBR PTFE/NBR	250 400	1 10	-25 ÷ +100
	T-RS09A	PU/NBR PTFE/NBR	250 400	1 10	-25 ÷ +100
	T-RS09B	PU/NBR PTFE/NBR	250 400	1 10	-25 ÷ +100
	T-RS91	PU/NBR PTFE/NBR	250 400	1 10	-25 ÷ +100
	T-RS16	PU	160	0.5	-25 ÷ +105














PROFILES

ROD SEALS					
Profile	Type	Standard material	Pressure (bar)	Speed (m/s)	Temperature (°C)
	T-RS17	PU	400	0,5	-30 ÷ +105
	T-RS17A	PU/POM	700	0.5	-30 ÷ +100
	T-RS17B	PU/NBR	400	0.5	-25 ÷ +100
	T-RS17C	PU/NBR/POM	700	0.5	-25 ÷ +100
	T-RS17D	PU	400	0.5	-30 ÷ +105
	T-RS17E	PU/POM	700	0.4	-30 ÷ +105
	T-RS20	NBR/POM	700	0.5	-25 ÷ +100
	T-RS35	PU	400	0.4	-30 ÷ +105
SYMMETRIC SEALS (FOR ROD AND PISTON)					
Profile	Type	Standard material	Pressure (bar)	Speed (m/s)	Temperature (°C)
	T-PRS06	PU NBR	400 160	0.5	-30 ÷ +105 -25 ÷ +100
	T-PRS06A	PU NBR	400 160	0.5	-30 ÷ +105 -25 ÷ +100
	T-PRS06B	PU NBR	400 160	0.5	-30 ÷ +105 -25 ÷ +100
	T-PRS06C	PU NBR	400 160	0.5	-30 ÷ +105 -25 ÷ +100












PROFILES

SYMMETRIC SEALS (FOR ROD AND PISTON)					
Profile	Type	Standard material	Pressure (bar)	Speed (m/s)	Temperature (°C)
	T-PRS06D	PU NBR	160 160	0.5	-30 ÷ +105 -25 ÷ +100
	T-PRS07	PU/NBR	400	0.5	-25 ÷ +100
	T-PRS10SP	PU FKM POM	-	-	-30 ÷ +105 -20 ÷ +210 -60 ÷ +100
	T-PRS13-15	PU/POM NBR/POM	500 250	0.5	-30 ÷ +105 -25 ÷ +100
	T-PRS18	PU/NBR	400	0.5	-25 ÷ +100
	T-PRS22	PU/POM NBR/POM FKM/PTFE	400 160 160	0.5	-30 ÷ +100 -25 ÷ +100 -20 ÷ +210
	T-PRS99	PU NBR FKM	400 160 160	0.5	-30 ÷ +105 -25 ÷ +100 -20 ÷ +210
	T-PRS10-12	PU/POM NBR/POM	500 250	0.5	-30 ÷ +100 -25 ÷ +100
PISTON SEALS					
Profile	Type	Standard material	Pressure (bar)	Speed (m/s)	Temperature (°C)
	T-PS01	PU NBR FKM	400 160 160	0.5	-30 ÷ +105 -25 ÷ +100 -20 ÷ +210
	T-PS01A	PU NBR FKM	25	1	-30 ÷ +105 -25 ÷ +100 -20 ÷ +210
	T-PS01B	PU NBR FKM	400 160 160	0.5	-30 ÷ +105 -25 ÷ +100 -20 ÷ +210
	T-PS02	PU/POM NBR/POM FKM/PTFE	700 250 250	0.5	-30 ÷ +100 -25 ÷ +100 -20 ÷ +210












PROFILES

PISTON SEALS					
Profile	Type	Standard material	Pressure (bar)	Speed (m/s)	Temperature (°C)
	T-PS02A	PU/POM NBR/POM FKM/PTFE	700 250 250	0.5	-30 ÷ +100 -25 ÷ +100 -20 ÷ +210
	T-PS03	PU/NBR	400	0.5	-25 ÷ +100
	T-PS04	PU/NBR/POM	700	0.5	-25 ÷ +100
	T-PS05	NBR	25	1	-25 ÷ +100
	T-PS08	PU/NBR PTFE/NBR	250 400	1 10	-25 ÷ +100
	T-PS08B	PU/NBR PTFE/NBR	250 400	1 10	-25 ÷ +100
	T-PS08C	PTFE/NBR	400	2	-25 ÷ +100
	T-PS08D	PTFE/NBR	400	3	-25 ÷ +100
	T-PS08F	PU-D57/NBR	250	1	-25 ÷ +100
	T-PS81	PU/NBR PTFE/NBR	250 400	1 10	-25 ÷ +100
	T-PS09	PU/NBR/POM	400	0.5	-25 ÷ +100
	T-PS16	NBR	160	0.5	-25 ÷ +100
	T-PS17	PU/POM NBR/POM	400 250	0.5	-25 ÷ +100




PROFILES

PISTON SEALS					
Profile	Type	Standard material	Pressure (bar)	Speed (m/s)	Temperature (°C)
	T-PS20	NBR/POM	700	0.5	-25 ÷ +100
	T-PS23	PU/NBR/POM	400	0.5	-25 ÷ +100
	T-PS35	PU	400	0.4	-30 ÷ +105
GUIDE RINGS					
Profile	Type	Standard material	Pressure (bar)	Speed (m/s)	Temperature (°C)
	T-BWR01	POM PTFE	-	4	-60 ÷ +100 -200 ÷ +260
	T-BWR02	POM PTFE	-	4	-60 ÷ +100 -200 ÷ +260
	T-BWR03	POM PTFE	-	4	-60 ÷ +100 -200 ÷ +260
	T-BWR04	POM PTFE	-	4	-60 ÷ +100 -200 ÷ +260
	T-BWR05	POM PTFE	-	4	-60 ÷ +100 -200 ÷ +260
	T-BWR06	POM PTFE	-	4	-60 ÷ +100 -200 ÷ +260
	T-BWR07	POM PTFE	-	4	-60 ÷ +100 -200 ÷ +260
	T-BWR08	POM PTFE	-	4	-60 ÷ +100 -200 ÷ +260





PROFILES

BACK-UP RINGS					
Profile	Type	Standard material	Pressure (bar)	Speed (m/s)	Temperature (°C)
	T-BUR08	PU POM PTFE	-	-	-30 ÷ +105 -60 ÷ +100 -200 ÷ +260
	T-BUR09	PU POM PTFE	-	-	-30 ÷ +105 -60 ÷ +100 -200 ÷ +260
	T-BUR10	PU POM PTFE	-	-	-30 ÷ +105 -60 ÷ +100 -200 ÷ +260
	T-BUR11	PU POM PTFE	-	-	-30 ÷ +105 -60 ÷ +100 -200 ÷ +260
	T-BUR12	PU POM PTFE	-	-	-30 ÷ +105 -60 ÷ +100 -200 ÷ +260
	T-BUR13	PU POM PTFE	-	-	-30 ÷ +105 -60 ÷ +100 -200 ÷ +260
OIL SEALS – ROTARY SEALS					
Profile	Type	Standard material	Pressure (bar)	Speed (m/s)	Temperature (°C)
	T-OS08	NBR	-	10	-25 ÷ +100
	T-R03	PU NBR/POM	400 250	0.2 0.2	-30 ÷ +100 -25 ÷ +100
	T-R04	PU NBR	160 100	0.2 0.2	-30 ÷ +105 -25 ÷ +100
	T-R04A	PU NBR	160 100	0.2 0.2	-30 ÷ +105 -25 ÷ +100
	T-R05	PU NBR	160 100	0.2 0.2	-30 ÷ +105 -25 ÷ +100








PROFILES
OIL SEALS – ROTARY SEALS

Profile	Type	Standard material	Pressure (bar)	Speed (m/s)	Temperature (°C)
	T-R05A	PU	160	0.2	-30 ÷ +105
		NBR	100	0.2	-25 ÷ +100
	T-R08	PTFE/NBR	350	0.4	-25 ÷ +100
	T-R09	PTFE/NBR	350	0.4	-25 ÷ +100
	T-R10	PTFE/NBR	350	0.4	-25 ÷ +100
	T-R11	PTFE/NBR	350	0.4	-25 ÷ +100
	T-VR06	NBR	-	25	-25 ÷ +100
	T-VR07	NBR	-	25	-25 ÷ +100







STATIC SEALS & O-RINGS

Profile	Type	Standard Material	Pressure (bar)	Speed (m/s)	Temperature (°C)
	T-OR	PU	600	-	-30 ÷ +105
		NBR	160		-25 ÷ +100
		FKM	160		-20 ÷ +210
	T-ORH	PU	600	-	-30 ÷ +105
		NBR	160		-25 ÷ +100
		FPM	160		-20 ÷ +210
	T-ORV	PU	600	-	-30 ÷ +105
		NBR	160		-25 ÷ +100
		FPM	160		-20 ÷ +210
	T-QR01	PU	600	-	-30 ÷ +105
		NBR	160		-25 ÷ +100
		FPM	160		-20 ÷ +210
	T-OP	PU	600	-	-30 ÷ +105
		NBR	160		-25 ÷ +100
		FPM	160		-20 ÷ +210















PROFILES

FLANGE GASKETS					
Profile	Type	Standard Material	Pressure (bar)	Speed (m/s)	Temperature (°C)
	T-FL01A	PU	400	-	-30 ÷ +100
		FKM	250		-20 ÷ +210
		EPDM	250		-50 ÷ +130
	T-FL02B	PU	400	-	-30 ÷ +100
		FKM	250		-20 ÷ +210
		EPDM	250		-50 ÷ +130
MINING SEALS					
Profile	Type	Standard Material	Pressure (bar)	Speed (m/s)	Temperature (°C)
	T-P50	PU/POM	400	0.1	-30 ÷ +100
	T-P51	PU/NBR/POM	400	0.5	-25 ÷ +100
	T-P51G	PU/NBR/POM	400	0.5	-25 ÷ +100
	T-P52	PU/POM	700	0.5	-30 ÷ +100
	T-P53	PU/NBR/POM	700	0.5	-25 ÷ +100
	T-P54	PU/NBR/POM	400	0.5	-25 ÷ +100
	T-R50	PU/NBR/POM	700	0.5	-25 ÷ +100
	T-R51	PU/NBR	400	0.5	-25 ÷ +100
	T-R52	PU/POM	700	0.5	-30 ÷ +100
	T-R53	PU	400	0.5	-30 ÷ +100

MINING SEALS

Profile	Type	Standard Material	Pressure (bar)	Speed (m/s)	Temperature (°C)
	T-W50	PU	-	2	-30 ÷ +105
	T-W51	PU	-	2	-30 ÷ +100
	T-W53	PU/POM	-	2	-30 ÷ +100
	T-W54	PU	-	2	-30 ÷ +105
	T-BWR01-P T-BWR01-R	POM PTFE	-	4	-60 ÷ +100 -200 ÷ +260
	T-P58	PU	400	-	-30 ÷ +100

ADDITIONAL STANDARD PROFILES
Profile

MATERIALS

Material	Hardness	Temp. °C	Main application and notes	Code
PU green	95 °ShA	-30 ÷ +105	U-rings, wiper rings and other seal elements Mineral oil, Compressed air, Water Resistant against hydrolysis.	P
PU red	95 °ShA	-30 ÷ +105	U-rings, wiper rings and other seal elements Mineral oil, Compressed air, Water Resistant against hydrolysis. On demand	R
PU white (FDA)	95 °ShA	-30 ÷ +100	FDA certified U-rings, wiper rings and other seal elements in contact with food Resistant against hydrolysis	W
PU grey (MoS2)	95 °ShA	-30 ÷ +105	U-rings, wiper rings and other seal elements Mineral oil, Compressed air, Water Low friction and reduced stick-slip behaviour	M
PU 54D	54 °ShD	-30 ÷ +90	Back-up rings or composite seals with preload element Mineral oil, Compressed air, Water Resistant against hydrolysis. Excellent extrusion resistance	Q
NBR black	85 °ShA	-25 ÷ +100	U-rings, wiper rings and other seal elements Mineral oil, Compressed air, Water	N
FKM brown (viton)	83 °ShA	-20 ÷ +210	U-rings, wiper rings and other seal elements at high temperatures and aggressive media	V
EPDM black	86 °ShA	-50 ÷ +130	U-rings, wiper rings and other seal elements for applications in hot water and steam, as well as for diluted acids and alkaline solutions. Resistant to brake fluids but NOT resistant to mineral oils	E
Silicone red (FDA)	83 °ShA	-55 ÷ +210	FDA certified Flange seals, gaskets and other static seals For dynamic applications is NOT recommended	S

Material	Hardness	Temp. °C	Main application and notes	Code
H-NBR black	85 °ShA	-25 ÷ +150	U-rings, wiper rings and other seal elements Compressed air and mineral oils at higher temperatures Suitable for vegetable and animal oils	H
NBR 95A	95 °ShA	-25 ÷ +100	U-rings, wiper rings and other seal elements Mineral oil, Compressed air, Water	A
POM white	-	-60 ÷ +100	Back-up and guide rings, machined parts Very stable in wet and dry environments is also recommended for precision parts, where close tolerances are required	D
PA natural	-	-30 ÷ +105	Back-up and guide rings, machined parts	Y
PTFE white (virgin)	55 °ShD	-200 ÷ +200	Composite seals with elastomer preload, spring loaded seals, Back-up and guide rings, low friction, For food industry, excellent chemical resistance	T
PTFE brown (bronze)	65 °ShD	-200 ÷ +200	Composite seals with elastomer preload Spring loaded seals, Back-up and Guide elements Bronze fibre reinforced	B
PTFE grey (glass+MoS2)	58 °ShD	-200 ÷ +200	Composite seals with elastomer preload Spring loaded seals, Back-up and Guide elements Glass fibre / MoS2 reinforced	G
PTFE black (carbon)	65 °ShA	-200 ÷ +200	Composite seals with elastomer preload Spring loaded seals, Back-up and Guide elements Carbon reinforced	C

Further, we can supply part from various PTFE compounds, as well as PEEK, various Polyamide, PETP, etc.

The indicated minimum temperature are considered as general guidelines. The proper function at low temperature is depending on the type of seal, the operating conditions and the adjacent metal parts.

The indicated maximum temperatures can be exceeded, but this reduces the service life.