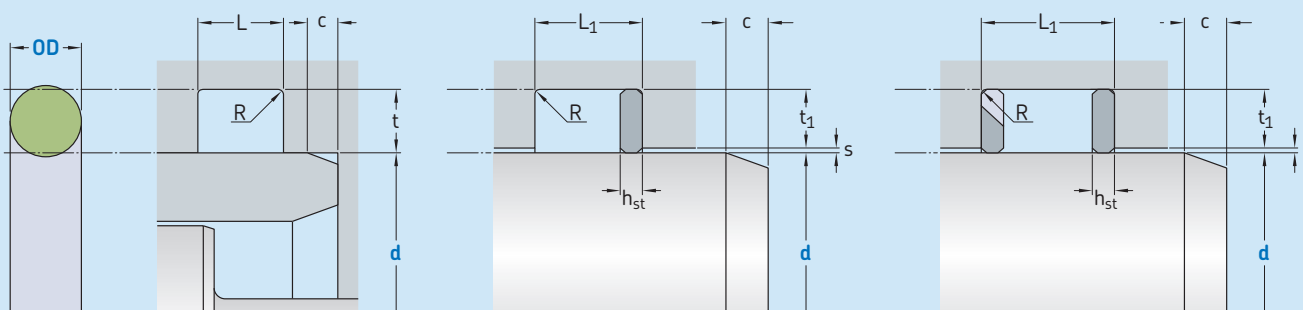


# R13



Ordering dimensions in **blue**

Pressure Surface roughness	Constant		Pulsating	
	$R_{tmax}$	$R_a$	$R_{tmax}$	$R_a$
	µm		µm	
<b>Sliding surface<sup>1)</sup></b>	12,5	3,2	6,3	1,6
<b>Bottom of groove<sup>2)</sup></b>	12,5	3,2	6,3	1,6
<b>Groove face</b>	12,5	3,2	6,3	1,6

<sup>1)</sup>  $R_{tmax} / R_a$  for dynamic application: 1,6 µm / 0,4 µm

<sup>2)</sup>  $R_{tmax} / R_a$  for dynamic application: 6,3 µm / 1,6 µm  
Bearing area: 50–95% and a cutting depth of 0,5  $R_z$  based on  $C_{ref} = 0\%$

## Standard dimensions

OD	t	L	$t_1$	$L_1$	$L_2$	R	$h_{st}$	c	s
AS 568A <sup>1)</sup>	ISO 3601 <sup>2)</sup>								
mm									
<b>1,78</b>	<b>1,8</b>	1,35	2,5	1,58	3,5	4,5	0,3	1	3
<b>2,62</b>	<b>2,65</b>	2,18	3,5	2,42	5,0	6,5	0,3	1,5	3,5
<b>3,53</b>	<b>3,55</b>	3	4,4	3,70	5,9	7,4	0,5	1,5	4
<b>5,33</b>	<b>5,3</b>	4,5	6,7	5,60	8,4	10,1	0,6	1,7	5
<b>6,99</b>	<b>7</b>	5,94	8,8	7,37	10,8	12,8	0,8	2	6
<b>10</b>	<b>10</b>	8,5	12,5	10,5	15,0	17,5	1	2,5	10
<b>12</b>	<b>12</b>	10,2	15,5	12,85	18,5	21,5	1	3	12
<b>15</b>	<b>15</b>	12,75	19	15,88	22	25	1	3	15

<sup>1)</sup> American standard  
<sup>2)</sup> DIN 3771

## Ordering example

Profile  
d x OD [mm]  
Sealing material

Rotary seal R13  
100 x 3,53  
ECOPUR



## Operating parameters

Material Seal	Temperature		Speed <sup>1) 2)</sup>	Pressure
	from	to	max	max
–	°C		m/s	bar (MPa)
■ ECOPUR	–30			
■ H-ECOPUR	–20			
■ S-ECOPUR	–20	+110		600 (60)
■ T-ECOPUR	–50			
■ G-ECOPUR	–30		only recommended for static application	
■ SKF Ecorubber-1		+100		
■ SKF Ecorubber-2	–20	+200		
■ SKF Ecorubber-3	–50	+150		
■ SKF Ecorubber-H	–25			160 (16)
■ SKF Ecosil	–60	+200		
■ SKF Ecoflon 1	–200	+260		

IMPORTANT NOTE: The stated operating conditions represent general indications. It is recommended not to use all maximum values simultaneously.

<sup>1)</sup> Surface speed limit values are valid only in the presence of a lubrication film.

<sup>2)</sup> We recommend the use of backup rings for ECOPUR above 400 bar and for SKF Ecorubber above 100 bar.

© ECOPUR and SKF are registered trademarks of the SKF Group

© SKF Group 2012

The contents of this publication are the copyright of the publisher and may not be reproduced (even extracts) unless prior written permission is granted. Every care has been taken to ensure the accuracy of the information contained in this publication but no liability can be accepted for any loss or damage whether direct, indirect or consequential arising out of the use of the information contained herein.

PUB SE/P8 11885 EN · March 2012

