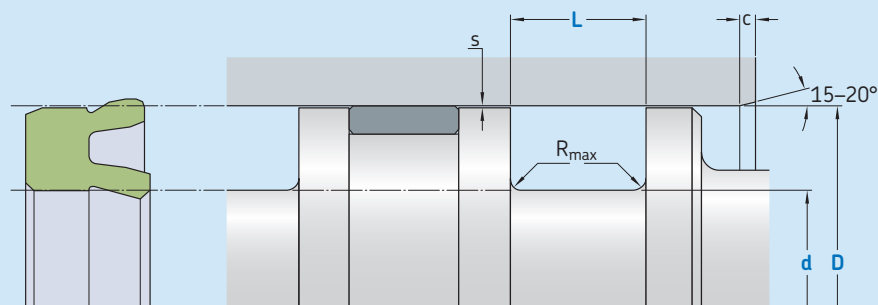


K05-P



Ordering dimensions in **blue**

Surface roughness	R_{tmax}	R_a
Sliding surface	$\leq 2,5 \mu m$	$0,1-0,5 \mu m$
Bottom of groove	$\leq 6,3 \mu m$	$\leq 1,6 \mu m$
Groove face	$\leq 15 \mu m$	$\leq 3 \mu m$

Bearing area: 50-95% and a cutting depth of $0,5 R_z$ based on $C_{ref} = 0\%$

Standard dimensions

D	H9	d	L	R_{max}	c	s^*
over	incl.	h10	+ 0,2			
mm						
13	25	D - 8	6,0	0,4	3,5	0,33
25	50	D - 10	7,0	0,4	4,0	0,37
50	75	D - 12	8,0	0,4	4,5	0,42
75	150	D - 15	10,0	0,4	5,0	0,46
150	300	D - 20	12,0	0,4	6,0	0,54
300	500	D - 25	18,0	0,4	8,5	0,61
500	750	D - 30	20,0	0,4	10,0	0,67
750		D - 40	26,0	0,4	13,0	0,67

* Extrusion gap values shown above are valid for a temperature of 70 °C, higher temperatures require lower values.

Ordering example

Profile
D x d x L [mm]
Sealing material

Piston seal K05-P
100 x 85 x 10
ECOPUR



Operating parameters

Material Seal	Temperature		Speed ¹⁾	Pressure
	from	to	max	max
–	°C		m/s	bar (MPa)
■ ECOPUR	–30		1	
■ H-ECOPUR	–20			
■ S-ECOPUR		+110	2	25 (2,5)
■ T-ECOPUR	–50		1	
■ G-ECOPUR	–30			

IMPORTANT NOTE: The stated operating conditions represent general indications. It is recommended not to use all maximum values simultaneously.

¹⁾ Surface speed limit values are valid only in the presence of a lubrication film.