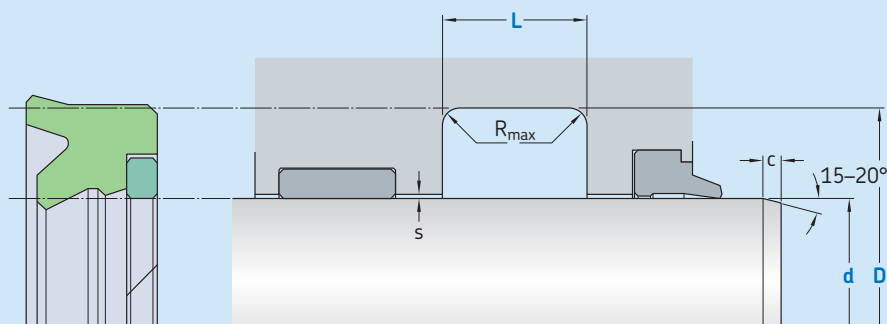


S18-R



Ordering dimensions in **blue**

Surface roughness	R_{tmax}	R_a
Sliding surface	$\leq 2,5 \mu\text{m}$	$0,1-0,5 \mu\text{m}$
Bottom of groove	$\leq 6,3 \mu\text{m}$	$\leq 1,6 \mu\text{m}$
Groove face	$\leq 15 \mu\text{m}$	$\leq 3 \mu\text{m}$

Bearing area: 50–95% and a cutting depth of $0,5 R_z$ based on $C_{ref} = 0\%$

Standard dimensions						maximal radial extrusion gap		
d	D	L	R_{max}	c		s^*		
f8	H10	+ 0,2				20 bar	100 bar	250 bar
over	incl.					mm		
mm						mm		
23	25	d + 8	8,0	0,4	3,5	0,60	0,80	0,52
25	50	d + 10	9,0	0,4	4,0	1,00	1,00	0,66
50	150	d + 15	14,0	0,4	5,0	1,50	1,40	0,78
150	300	d + 20	17,0	0,4	6,0	2,00	1,66	0,88
300	500	d + 25	20,0	0,4	8,5	2,50	1,91	1,00
500	600	d + 30	25,0	0,4	10,0	3,00	2,18	1,13

* Extrusion gap values shown above are valid for a temperature of 70 °C, higher temperatures require lower values.

Ordering example

Profile
d x D x L [mm]
Sealing material / Backup ring

Rod Seal S18-R
100 x 115 x 10
SKF Ecorubber-1 / SKF Ectotal



Operating parameters

Material Seal	Backup ring	Temperature		Speed ¹⁾	Pressure ²⁾
		from	to	max	max
		°C		m/s	bar (MPa)
■ SKF Ecorubber-1	■ SKF Ecotal ■ SKF Ecomid ³⁾	-30	+100	0,5	250 (25)
■ SKF Ecorubber-2	■ SKF Ecoflon 2	-20	+200		
■ SKF Ecorubber-3	■ SKF Ecotal ■ SKF Ecomid ³⁾	-50	+100		
	■ SKF Ecoflon 2	-40	+150		
■ SKF Ecorubber-H	■ SKF Ecotal ■ SKF Ecomid ³⁾	-25	+100		
	■ SKF Ecoflon 2	+150	+200		

IMPORTANT NOTE: The stated operating conditions represent general indications. It is recommended not to use all maximum values simultaneously.

¹⁾ Surface speed limit values are valid only in the presence of a lubrication film.

²⁾ Pressure ratings depend on the size of the extrusion gap.

³⁾ D ≤ 260 mm → SKF Ecotal, D > 260 mm → SKF Ecomid.

® SKF is a registered trademark of the SKF Group

© SKF Group 2012

The contents of this publication are the copyright of the publisher and may not be reproduced (even extracts) unless prior written permission is granted. Every care has been taken to ensure the accuracy of the information contained in this publication but no liability can be accepted for any loss or damage whether direct, indirect or consequential arising out of the use of the information contained herein.

PUB SE/P8 11931 EN · March 2012

