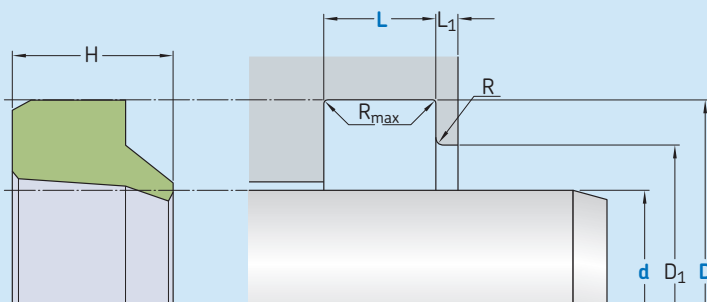


A02-B



Ordering dimensions in **blue**

Surface roughness	R_{tmax}	R_a
Sliding surface	$\leq 2,5 \mu m$	$0,1-0,5 \mu m$
Bottom of groove	$\leq 6,3 \mu m$	$\leq 1,6 \mu m$
Groove face	$\leq 15 \mu m$	$\leq 3 \mu m$

Bearing area: 50–95% and a cutting depth of $0,5 R_z$ based on $C_{ref} = 0\%$

Standard dimensions

d	f8	D	D_1	L	L_1	R_{max}	R	H
over	incl.	H11	H11	+0,2				
mm								
5	50	$d + 8$	$d + 4$	5	≥ 2	0,4	$\leq 0,4$	7,15
50	100	$d + 10$	$d + 5$	6	≥ 2	0,4	$\leq 0,4$	8,6
100		$d + 15$	$d + 7,5$	8,5	≥ 2	0,4	$\leq 0,4$	12,15

Ordering example

Profile
d x D x L [mm]
Sealing material

Wiper A02-B
50 x 58 x 5
ECOPUR



Operating parameters

Material Seal	Temperature		Speed ¹⁾ max
	from	to	
–	°C		m/s
■ ECOPUR	–30		4
■ H-ECOPUR	–20		5
■ S-ECOPUR	–50		
■ T-ECOPUR	–30	+110	4
■ G-ECOPUR	–20		5
■ X-ECOPUR			
■ XH-ECOPUR	–30		4
■ XS-ECOPUR	–20		5
■ G-ECOPUR 54D	–30		
■ SKF Ecorubber-1		+100	
■ SKF Ecorubber-2	–20	+200	4
■ SKF Ecorubber-3	–50		
■ SKF Ecorubber-H	–25	+150	
■ SKF Ecoflas	–10	+200	

IMPORTANT NOTE: The stated operating conditions represent general indications. It is recommended not to use all maximum values simultaneously.

¹⁾ Surface speed limit values are valid only in the presence of a lubrication film.

© ECOPUR and SKF are registered trademarks of the SKF Group

© SKF Group 2012

The contents of this publication are the copyright of the publisher and may not be reproduced (even extracts) unless prior written permission is granted. Every care has been taken to ensure the accuracy of the information contained in this publication but no liability can be accepted for any loss or damage whether direct, indirect or consequential arising out of the use of the information contained herein.

PUB SE/P8 11782 EN · March 2012

