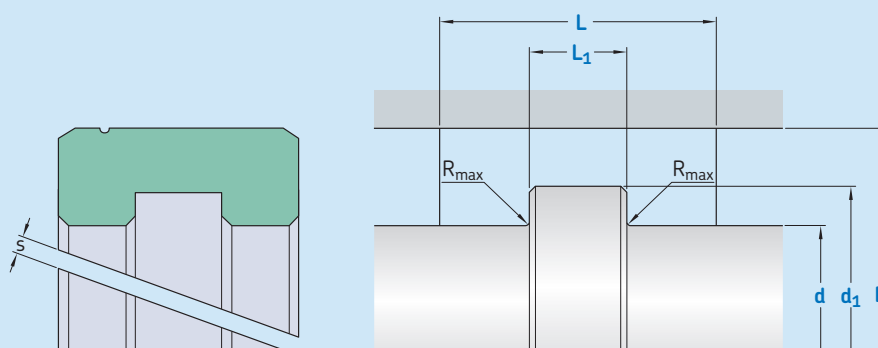


# F07



Ordering dimensions in **blue**

Sealing material Surface roughness	TPU / Elastomers		PTFE	
	$R_{tmax}$	$R_a$	$R_{tmax}$	$R_a$
	$\mu\text{m}$		$\mu\text{m}$	
<b>Sliding surface</b>	$\leq 2,5$	0,1–0,5	$\leq 2$	0,05–0,3
<b>Bottom of groove</b>	$\leq 6,3$	$\leq 1,6$	$\leq 6,3$	$\leq 1,6$
<b>Groove face</b>	$\leq 15$	$\leq 3$	$\leq 15$	$\leq 3$

Bearing area: 50–95% and a cutting depth of 0,5  $R_z$  based on  $C_{ref} = 0\%$

## Standard dimensions

Minimum nominal inside diameter  
 $d \geq 22 \text{ mm}$ .

Depending on the application, the geometry of the guide element should be adapted to the type of application (please refer to the profile description – Seal housing). Because uncut versions would be pointless for assembly reasons, rotating applications should be avoided. Standard version with cutting gap  $s > 0$  do not allow a supporting function. For a supporting function a cutting gap of  $s = 0$  and a spiral groove is provided. Cutting gap  $s \rightarrow$  values depend on material and temperature. For detailed information please refer to the profile description.

## Ordering example

Profile  
 $D \times d/d_1 \times L/L_1$  [mm]  
Guiding material

Guide ring F07  
100 x 91/96,5 x 15/5  
SKF Ecotal



## Operating parameters

Material Guiding	Temperature		Speed <sup>1)</sup>	Specific load <sup>2)</sup>
	from	to	max	
–	°C		m/s	N/mm <sup>2</sup>
■ SKF Ecoflon 2			4	3,0
■ SKF Ecoflon 3	–200	+200	5	4,5
SKF Ecoflon 60% Bz.				7,5
■ SKF Ecotal	–50	+100	4	25
■ SKF Ecomid <sup>3)</sup>	–40			
■ SKF Ecotex		+130		90

IMPORTANT NOTE: The stated operating conditions represent general indications. It is recommended not to use all maximum values simultaneously.

<sup>1)</sup> Surface speed limit values are valid only in the presence of a lubrication film.

<sup>2)</sup> Depending on temperature and allowed compression. Detailed information see profile description.

<sup>3)</sup> D ≤ 260 mm → SKF Ecotal, D > 260 mm → SKF Ecomid.

® SKF is a registered trademark of the SKF Group

© SKF Group 2012

The contents of this publication are the copyright of the publisher and may not be reproduced (even extracts) unless prior written permission is granted. Every care has been taken to ensure the accuracy of the information contained in this publication but no liability can be accepted for any loss or damage whether direct, indirect or consequential arising out of the use of the information contained herein.

PUB SE/P8 11810 EN · March 2012

